

EN 36 V 38 cm
Lawnmower

EN ORIGINAL INSTRUCTIONS

IMPORTANT - These instructions are for your safety. Please read through them thoroughly prior to handling the product and retain them for future reference.

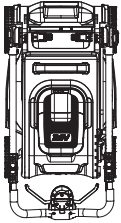


V10825_5063022637161_MAND4_2425_RP0506D

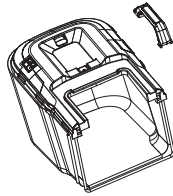
MCT1191LWM
5063022637161
5063022636959
5063022638076

TTT1192LWM
5063022637727
5063022637062
5063022637567

EN Parts



01. x1



02. x1



03. x1



04. x1

EN You will need



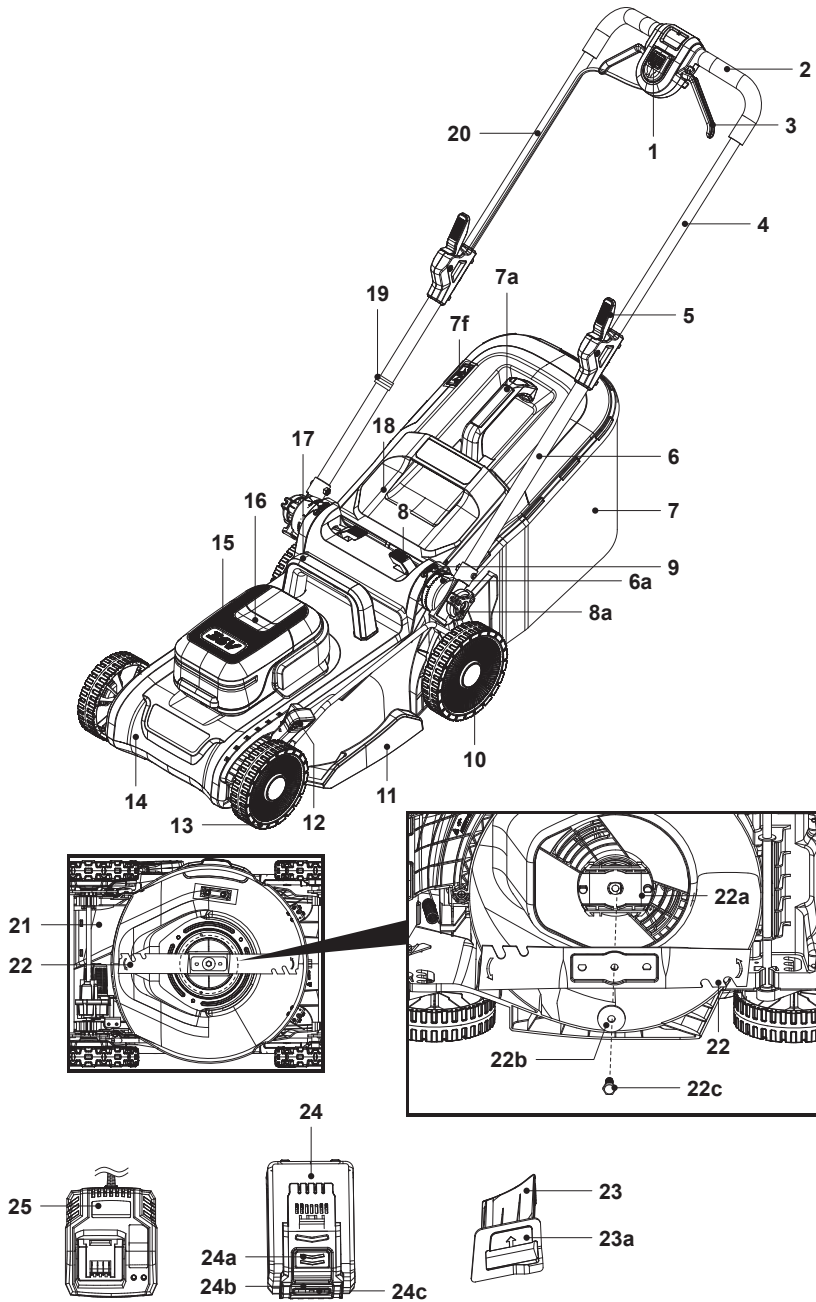
(items not supplied)

- Suitable personal protective equipment
- Suitable wrench
- Suitable lubricating oil
- Battery pack (24) for EAN 5063022638076 and 5063022637567
- Charger (25) for EAN 5063022638076 and 5063022637567

EN Contents

EN	
Product description	3
Safety	4
Preparation	20
Assembly	21
Functions & Settings	25
Use	29
Care & maintenance	33
Guarantee	39
Declaration of conformity	41

EN Product description



1. Safety switch button
2. Grip handle
3. Start lever (x2)
4. Upper handle bar
5. Locking lever (x2)
6. Lower handle bar (x2)
 - a. Dial plate
 - b. Indicating triangle*
7. Grass catcher
 - a. Carry handle
 - b. Rubber clip* (x3)
 - c. Supporting rod*
 - d. Catcher hook* (x2)
 - e. Rear handle*
 - f. Hatch
8. Clamp lever (x2)
 - a. Locking knob
9. Handle support (x2)
 - a. Parking indicator*
 - b. High handle height indicator*
 - c. Low handle height indicator*
10. Rear wheel (x2)
11. Cutting blade compartment
12. Lever for cutting height adjustment
 - a. Locking button*
13. Front wheel (x2)
14. Front transport handle
15. Battery compartment cover
 - a. Electrical contacts*
 - b. Sliding slots* (x2)
 - c. Magnetic lid*
16. Motor cover
 - a. Battery display*
 - b. Air vents*
17. Transport handle
18. Rear deflector guard
19. Cord clip (x2, 1 pre-mounted)
20. Control cord
21. Rear discharge chute
 - a. Slot* (x2)
22. Cutting blade
 - a. Blade holder
 - b. Flat washer
 - c. Mounting bolt
23. Mulching insert
 - a. Recess handle
24. Battery pack
 - a. Release button
 - b. Battery capacity button
 - c. Battery capacity indicators
25. Charger



NOTE: Parts marked with * are not shown in this overview. Please refer to the respective part in the instruction manual.



NOTE: For EAN 5063022638076 and 5063022637567, the battery pack (24) and chargers (25) are not included in the supply scope. You need to buy them separately.



EN Safety

General machine safety warnings



WARNING! READ ALL SAFETY WARNINGS, INSTRUCTIONS, ILLUSTRATIONS AND SPECIFICATIONS PROVIDED WITH THIS MACHINE. FAILURE TO FOLLOW ALL INSTRUCTIONS LISTED BELOW MAY RESULT IN ELECTRIC SHOCK, FIRE AND/OR SERIOUS INJURY.

SAVE ALL WARNINGS AND INSTRUCTIONS FOR FUTURE REFERENCE.

THE TERM “MACHINE” IN THE WARNINGS REFERS TO YOUR MAINS-OPERATED (CORDED) MACHINE OR BATTERY-OPERATED (CORDLESS) MACHINE.

Work area safety

- **Keep work area clean and well lit.** Cluttered or dark areas invite accidents.
- **Do not operate machines in explosive atmospheres, such as in the presence of flammable liquids, gases or dust.** Machines create sparks which may ignite the dust or fumes.
- **Keep children and bystanders away while operating a machine.** Distractions can cause you to lose control.

Electrical safety

- **Machine plugs must match the outlet. Never modify the plug in any way. Do not use any adapter plugs with earthed (grounded) machines.** Unmodified plugs and matching outlets will reduce risk of electric shock.
- **Avoid body contact with earthed or grounded surfaces, such as pipes, radiators, ranges and refrigerators.** There is an increased risk of electric shock if your body is earthed or grounded.
- **Do not expose power tools to rain or wet conditions.** Water entering a power tool will increase the risk of electric shock.
- **Do not abuse the cord. Never use the cord for carrying, pulling or unplugging the machine. Keep cord away from heat, oil, sharp edges or moving parts.** Damaged or entangled cords increase the risk of electric shock.
- **When operating a machine outdoors, use an extension cord suitable for outdoor use.** Use of a cord suitable for outdoor use reduces the risk of electric shock.
- **If operating a machine in a damp location is unavoidable, use a residual current device (RCD) protected supply.** Use of an RCD reduces the risk of electric shock.

Personal safety

- **Stay alert, watch what you are doing and use common sense when operating a machine. Do not use a machine while you are tired or under the influence of drugs, alcohol or medication.** A moment of inattention while operating machines may result in serious personal injury.
- **Use personal protective equipment. Always wear eye protection.** Protective equipment such as dust mask, non-skid safety shoes, hard hat, or hearing protection used for appropriate conditions will reduce personal injuries.
- **Prevent unintentional starting. Ensure the switch is in the off- position before connecting to power source and/or battery pack, picking up or carrying the machine.** Carrying machines with your finger on the switch or energising machines that have the switch on invites accidents.
- **Remove any adjusting key or wrench before turning the machine on.** A wrench or a key left attached to a rotating part of the machine may result in personal injury.
- **Do not overreach. Keep proper footing and balance at all times.** This enables better control of the machine in unexpected situations.
- **Dress properly. Do not wear loose clothing or jewellery. Keep your hair and clothing away from moving parts.** Loose clothes, jewellery or long hair can be caught in moving parts.
- **If devices are provided for the connection of dust extraction and collection facilities, ensure these are connected and properly used.** Use of dust collection can reduce dust-related hazards.
- **Do not let familiarity gained from frequent use of machines allow you to become complacent and ignore machine safety principles.** A careless action can cause severe injury within a fraction of a second.

Machine use and care

- **Do not force the machine. Use the correct machine for your application.** The correct machine will do the job better and safer at the rate for which it was designed.
- **Do not use the machine if the switch does not turn it on and off.** Any machine that cannot be controlled with the switch is dangerous and must be repaired.
- **Disconnect the plug from the power source and/or remove the battery pack, if detachable, from the machine before making any adjustments, changing accessories, or storing machines.** Such preventive safety measures reduce the risk of starting the machine accidentally.
- **Store idle machines out of the reach of children and do not allow persons unfamiliar with the machine or these instructions to operate the machine.** Machines are dangerous in the hands of untrained users.
- **Maintain machines and accessories. Check for misalignment or binding of moving parts, breakage of parts and any other condition that may affect the machine's operation. If damaged, have the machine repaired before use.** Many accidents are caused by poorly maintained machines.
- **Keep cutting machines sharp and clean.** Properly maintained cutting machines with sharp cutting edges are less likely to bind and are easier to control.
- **Use the machine, accessories and tool bits etc. in accordance with these instructions, taking into account the working conditions and the work to be performed.** Use of the machine for operations different from those intended could result in a hazardous situation.
- **Keep handles and grasping surfaces dry, clean and free from oil and grease.** Slippery handles and grasping surfaces do not allow for safe handling and control of the machine in unexpected situations.

Battery machine use and care

- **Recharge only with the charger specified by the manufacturer.** A charger that is suitable for one type of battery pack may create a risk of fire when used with another battery pack.
- **Use machines only with specifically designated battery packs.** Use of any other battery packs may create a risk of injury and fire.
- **When battery pack is not in use, keep it away from other metal objects, like paper clips, coins, keys, nails, screws or other small metal objects that can make a connection from one terminal to another.** Shorting the battery terminals together may cause burns or a fire.
- **Under abusive conditions, liquid may be ejected from the battery; avoid contact. If contact accidentally occurs, flush with water. If liquid contacts eyes, additionally seek medical help.** Liquid ejected from the battery may cause irritation or burns.
- **Do not use battery pack or machine that is damaged or modified.** Damaged or modified batteries may exhibit unpredictable behaviour resulting in fire, explosion or risk of injury.
- **Do not expose a battery pack or machine to fire or excessive temperature.** Exposure to fire or temperature above 130 °C may cause explosion.
- **Follow all charging instructions and do not charge the battery pack or machine outside the temperature range specified in the instructions.** Charging improperly or at temperatures outside the specified range may damage the battery and increase the risk of fire.

Service

- **Have your machine serviced by a qualified repair person using only identical replacement parts.** This will ensure that safety of the machine is maintained.

- **Never service damaged battery packs.** Service of battery packs should only be performed by the manufacturer or authorized service providers.

Lawnmower safety warnings

- **Do not use the lawnmower in bad weather conditions, especially when there is a risk of lightning.** This decreases the risk of being struck by lightning.
- **Thoroughly inspect the area for wildlife where the lawnmower is to be used.** Wildlife may be injured by the lawnmower during operation.
- **Thoroughly inspect the area where the lawnmower is to be used and remove all stones, sticks, wires, bones, and other foreign objects.** Thrown objects can cause personal injury.
- **Before using the lawnmower, always visually inspect to see that the blade and the blade assembly are not worn or damaged.** Worn or damaged parts increase the risk of injury.
- **Check the grass catcher frequently for wear or deterioration.** A worn or damaged grass catcher may increase the risk of personal injury.
- **Keep guards in place. Guards must be in working order and be properly mounted.** A guard that is loose, damaged, or is not functioning correctly may result in personal injury.
- **Keep all cooling air inlets clear of debris.** Blocked air inlets and debris may result in overheating or risk of fire.
- **While operating the lawnmower, always wear non-slip and protective footwear. Do not operate the lawnmower when barefoot or wearing open sandals.** This reduces the chance of injury to the feet from contact with the moving blade.
- **While operating the lawnmower, always wear long trousers.** Exposed skin increases the likelihood of injury from thrown objects.
- **Do not operate the lawnmower in wet grass. Walk, never run.** This reduces the risk of slipping and falling which may result in personal injury.

- **Do not operate the lawnmower on excessively steep slopes.** This reduces the risk of loss of control, slipping and falling which may result in personal injury.
- **When working on slopes, always be sure of your footing, always work across the face of slopes, never up or down and exercise extreme caution when changing direction.** This reduces the risk of loss of control, slipping and falling which may result in personal injury.
- **Use extreme caution when reversing or pulling the lawnmower towards you. Always be aware of your surroundings.** This reduces the risk of tripping during operation.
- **Do not touch blades and other hazardous moving parts while they are still in motion.** This reduces the risk of injury from moving parts.
- **When clearing jammed material or cleaning the lawnmower, make sure all power switches are off and the battery pack is disconnected.** Unexpected operation of the lawnmower may result in serious personal injury.

Additional safety instructions for lawn mower Training

- Read the instructions carefully. Be familiar with the controls and the proper use of the product.
- Never allow children, persons with reduced physical, sensory or mental capabilities or lack of experience and knowledge or people unfamiliar with these instructions to use the product. Local regulations may restrict the age of the operator.
- Children should be supervised to ensure that they do not play with the product.
- Cleaning and user maintenance shall not be made by children without supervision.
- Never mow while people, especially children, or pets are nearby.
- Keep in mind that the operator or user is responsible for accidents or hazards occurring to other people or their property.

Preparation

- While mowing, always wear substantial footwear and long trousers. Do not operate the product when barefoot or wearing open sandals. Avoid wearing clothing that is loose fitting or that has hanging cords or ties.
- Thoroughly inspect the area where the product is to be used and remove all objects which can be thrown by the product.
- Before using, always visually inspect to see that the cutting blade, cutting blade bolts and cutting blade assembly are not worn or damaged. Replace worn or damaged cutting blades and bolts in sets to preserve balance. Replace damaged or unreadable labels.



CAUTION! DO NOT TOUCH A ROTATING CUTTING BLADE.

Operation

- Operate the product only in daylight or in good artificial light.
- Avoid operating the product in wet grass, where feasible.
- Always be sure of your footing on slopes.
- Walk, never run.
- Mow across the face of slopes, never up and down.
- Exercise extreme caution when changing direction on slopes.
- Do not mow excessively steep slopes.
- Use extreme caution when reversing or pulling the product towards you.
- Stop the cutting blade(s) if the product has to be tilted for transportation when crossing surfaces other than grass, and when transporting the product to and from the area to be mowed.
- Never operate the product with defective guards or shields, or without safety devices, for example deflectors and/or grass catchers, in place.
- Start the product or switch on the product carefully according to instructions and with feet well away from the cutting blade(s).

- Do not tilt the product when switching on the motor, except if the product has to be tilted for starting. In this case, do not tilt it more than absolutely necessary and lift only the part, which is away from the operator.
- Do not start the product when standing in front of the discharge chute.
- Do not put hands or feet near or under rotating parts. Keep clear of the discharge opening at all times.
- Do not transport the product while the battery pack is inserted.
- Stop the product and remove the battery pack. Make sure that all moving parts have come to a complete stop:
 - whenever you leave the product,
 - before clearing blockages or unclogging chute,
 - before checking, cleaning or working on the product,
 - after striking a foreign object. Inspect the product for damage and make repairs before restarting and operating the product.
- If the product starts to vibrate abnormally (check immediately)
 - inspect for damage,
 - replace or repair any damaged parts,
 - check for and tighten any loose parts.

Maintenance and storage

- Remove the battery pack before checking, cleaning or working on the product and when it is not in use.
- Remove the battery pack before carrying out maintenance or cleaning work.
- Improper maintenance will lead to malfunction/failure of the product.
- Inspect and maintain the product regularly. Keep all nuts, bolts and screws tight to be sure the product is in safe working condition.
- Check the grass catcher frequently for wear or deterioration.
- Be careful during adjustment of the product to prevent entrapment of the fingers between moving blades and fixed parts of the product.

- Always allow the product to cool down before storing in any enclosure.
- When servicing the blades be aware that, even though the power source is switched off, the blades can still be moved.
- Replace worn or damaged parts for safety. Use only genuine replacement parts and accessories.
- Wear strong work gloves when removing and re-assembling the cutting blade.
- Have the product repaired only by an authorised service centre or similar qualified specialist.
- When not in use, store the product out of the reach of children.

Additional safety warnings for battery pack

- **Battery pack needs to be charged before use.** Always refer to the charger's instruction and charge it properly.
- **Remove the battery pack from the product when not in use.**
- **Don't maintain the battery pack on the charger when not in use.**
- **After extended periods of storage, it may be necessary to charge and discharge the battery pack several times to obtain the maximum performance.**
- **Longer life and better performance can be obtained if the battery is charged when the air temperature is between 18 °C and 24 °C.** Do not charge the battery in air temperature below 5 °C or above 40 °C. This is important as it can prevent serious damage to the battery.
- **Do not charge battery in a damp or wet location.** Following this rule will reduce the risk of electric shock.
- **Do not disassemble the battery and avoid mechanical damage to the battery. Risk of short circuit and fumes may be emitted.** Ensure fresh air and seek medical assistance in the event of discomfort.
- **When disposing of battery pack, keep the battery pack of different electrochemical systems separate from each other.**
- Do not connect the positive terminal and negative terminal of the battery to each other with any metal object (such as wire).

- Do not carry or store battery together with necklaces, hairpins or other metal objects.
- Do not pierce the battery with nails, strike the battery with a hammer, step on the battery or otherwise subject it to strong impacts or shocks.
- Do not solder directly onto the battery.
- Do not expose battery to water or salt water, or allow the battery to get wet.
- Do not disassemble or modify the battery.
- Do not place the battery in or near fire, on stoves or on other high temperature locations. Do not place the battery in direct sunlight, or use or store the battery inside cars in hot weather.
- Do not place the battery in microwave ovens, high pressure containers or on induction cookware.
- If you intend to store a battery for a period without use then store battery at room temperature (19 °C to 25 °C), charged to 3 bars on the charge indicator lights. When storing for very long periods boost charge the battery once per year to prevent over discharge.

Health surveillance

All employees should be part of an employer's health surveillance scheme to help identify any vibration related diseases at an early stage, prevent disease progression and help employees stay in work.

Vibration and noise reduction

To reduce the impact of noise and vibration emission, limit the time of operation, use low-vibration and low-noise operating modes as well as wear personal protective equipment.

Take the following points into account to minimise the vibration and noise exposure risks:

- Only use the product as intended by its design and these instructions.
- Ensure that the product is in good condition and well maintained.
- Use correct attachments for the product and ensure they are in good condition.

- Keep tight grip on the handles/grip surface.
- Maintain this product in accordance with these instructions and keep it well lubricated (where appropriate).
- Plan your work schedule to spread any high vibration machine use across a longer period of time.
- Prolonged use of the product exposes the user to vibrations that can cause a range of conditions collectively known as hand-arm vibration syndrome (HAVS) e.g. fingers going white; as well as specific diseases such as carpal tunnel syndrome. To reduce this risk when using the product, always wear protective gloves and keep your hands warm.

Emergency

Familiarise yourself with the use of this product by means of this instruction manual. Memorise the safety directions and follow them to the letter. This will help to prevent risks and hazards.

- **Always be alert when using this machine, so that you can recognise and handle risks early.** Fast intervention can prevent serious injury and damage to property.
- **Switch the machine off and remove the battery pack if there are malfunctions.** Have the product checked by a qualified professional and repaired, if necessary, before you operate it again.

Residual risks

Even if you are operating this product in accordance with all the safety requirements, potential risks of injury and damage remain. The following dangers can arise in connection with the structure and design of this product:

- Health defects resulting from vibration emission if the product is being used over long periods of time or not adequately managed and properly maintained.
- Injuries and damage to property due to broken attachments or the sudden impact of hidden objects during use.








- Danger of injury and property damage caused by flying objects or poor machine accessories.



WARNING! THIS PRODUCT PRODUCES AN ELECTROMAGNETIC FIELD DURING OPERATION! THIS FIELD MAY UNDER SOME CIRCUMSTANCES INTERFERE WITH ACTIVE OR PASSIVE MEDICAL IMPLANTS! TO REDUCE THE RISK OF SERIOUS OR FATAL INJURY, WE RECOMMEND PERSONS WITH MEDICAL IMPLANTS TO CONSULT THEIR DOCTOR AND THE MEDICAL IMPLANT MANUFACTURER BEFORE OPERATING THIS PRODUCT!

Symbols

On the product, the rating label and within these instructions you will find among others the following symbols and abbreviations. Familiarise yourself with them to reduce hazards like personal injuries and damage to property.

V 	Volt, (direct current voltage)	mAh	Milliampere per hour
/min or min ⁻¹	Per minute	°C	Degree celsius
n ₀	No-load speed	L	Litre
g	Gram	kg	Kilogram
mm	Millimetre	cm	Centimetre
m	Metre	A	Ampere
dB(A)	Decibel (A-rated)	m/s ²	Metres per seconds squared
	Lock / to tighten or secure.		Unlock / to loosen.
	Read the instruction manual.		Note / Remark.
			Caution / Warning.
yyWxx	Manufacturing date code; year of manufacturing (20yy) and week of manufacturing (Wxx).		
IPX1	Protected against vertically falling water drops.		



Always wear ear protection.



Always wear eye protection.



Wear a dust mask.



Wear protective gloves.



Wear protective, slip-resistant footwear.



Wear tight-fitted protective clothes.



WARNING - Remove the disabling device before maintenance!

Switch the machine off and remove battery pack before assembly, cleaning, adjustments, maintenance, storage and transportation.



WARNING - Disconnect battery before maintenance!



This machine is of protection class III.



Do not expose the product to rain or wet conditions (moisture).



Mow across the face of slopes, never up and down.



Inspect the area where the product is to be used and remove all objects which can be thrown by the product. If objects are hidden while operating stop the motor and remove the object.



WARNING - Beware of thrown objects - keep bystanders away!

Objects thrown by the product could hit the user or other bystanders. Always ensure that other people and pets remain at a safe distance from the product when it is in operation. In general, children must not come near the area where the product is.



WARNING - Keep hands and feet away from the blades!

Danger of injury! When cleaning, repairing, or inspecting, make certain the cutting blade and all mowing parts have stopped.



DANGER - Keep hands and feet away!



Cutting blade continues to rotate after the product is switched off. Wait until all machine components have completely stopped before touching the product.



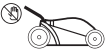
Pay special attention when working on the cutting blade!



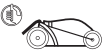
Grass catcher is ready for grass collection.



Grass catcher is full, empty it.



Don't open the rear deflector guard when the motor is running.



Always keep the rear deflector guard closed when the motor is running.



Guaranteed sound power level value in 88 dB(A).



WEEE symbol. Waste electrical products should not be disposed of with household waste. Please recycle where facilities exist. Check with your Local Authority or local store for recycling advice.



Crossed out dust bin. Batteries and battery packs should not be disposed of with household waste. Please recycle where facilities exist. Check with your Local Authority or local store for recycling advice.



Do not dispose of battery packs in rivers or immerse in water.



Do not dispose of battery packs in fire. They will explode and cause injury.



Do not expose battery packs to heat in excess of 40 °C.


Do not charge or store the battery pack in temperatures below 5 °C (41 °F) and above 40 °C (104 °F).



The product complies with the applicable European directives and an evaluation method of conformity for these directives was done.

Technical specifications

General

- > **Rated voltage** : 36 V 
- > **Rated no load speed n_0** : 3200 min⁻¹
- > **Cutting width** : 38 cm
- > **Cutting height range** : 25 - 75 mm, 6 levels
- > **Grass catcher volume** : 45 L
- > **Protection class** : Battery operated
- > **Degree of protection** : IPX1
- > **Wheel size** : Ø 160 x 40 mm (Front wheel)
Ø 180 x 40 mm (Rear wheel)
- > **Weight** : approx. 16.85 kg
- > **Dimensions** : approx. 134 x 44 x 100 cm

Battery pack

- > **Model no.** : MDVB36-4 / TTB812BAT /
MCT1239BAT / TTT1240BAT
- > **Type** : Li-Ion, 10 INR 21700 cells
- > **Capacity** : 4 / 8 Ah
- > **Voltage** : 36 / 18 V 
- > **Weight** : approx. 1.05 kg

Charger for battery pack

- > **Model no.** : MFC36 / TTB815CHR /
MCB1241CHR / TTB1242CHR
- > **Rated output** : 21 V , 8 A



NOTE: This 36 V lawnmower is used with the 36 / 18 V dual voltage battery as above models.

Ambient temperature range for the use and storage of tools and batteries: 5-40 °C

Ambient temperature range for charging system during charging: 5-40 °C

Sound values

- > **Sound pressure level L_{pA}** : 78.77 dB(A)
- > **Uncertainty K_{pA}** : 3 dB(A)
- > **Measured sound power level L_{WA}** : 86.92 dB(A)
- > **Uncertainty K_{WA}** : 0.63 dB(A)
- > **Guaranteed sound power level L_{WA}**
(according to 2000/14/EC amended
by 2005/88/EC) : 88 dB(A)

Vibration values

- > **Hand arm vibration $a_{h,w}$** : 0.346 m/s²
- > **Uncertainty K** : 1.5 m/s²

The sound value(s) have been determined according to noise test code given in EN 62841-1, EN IEC 62841-4-3, using the basic standards EN ISO 3744.

The sound intensity level for the operator may exceed 80 dB(A) and ear protection measures are necessary. The declared vibration total values and the declared noise emission values have been measured in accordance with a standard test method (EN 62841-1, EN IEC 62841-4-3) and may be used for comparing one machine with another; they may also be used in a preliminary assessment of exposure.



WARNING! THE VIBRATION AND NOISE EMISSION DURING ACTUAL USE OF THE MACHINE CAN DIFFER FROM THE DECLARED TOTAL VALUE DEPENDING ON THE WAYS IN WHICH THE MACHINE IS USED ESPECIALLY WHAT KIND OF WORKPIECE IS PROCESSED.

THE NEED TO IDENTIFY SAFETY MEASURES TO PROTECT THE OPERATOR THAT ARE BASED ON AN ESTIMATION OF EXPOSURE IN THE ACTUAL CONDITIONS OF USE (TAKING ACCOUNT OF ALL PARTS OF THE OPERATING CYCLE SUCH AS THE TIMES WHEN THE MACHINE IS SWITCHED OFF AND WHEN IT IS RUNNING IDLE IN ADDITION TO THE TRIGGER TIME).

Rating label explanation

Lawn Mower: MCT1191LWM

MCT = MAC Allister (brand name)

1191 = Sequential code

LWM = Lawn mower

Lawn Mower: TTT1192LWM

TTT = TITAN (brand name)

1192 = Sequential code

LWM = Lawn mower

EN Preparation

Unpacking



NOTE: The machine is heavy, ask another person for assistance if required.

1. Unpack all parts and lay them on a flat, stable surface.
2. Remove all packing materials and shipping devices if applicable.
3. Make sure the delivery contents are complete and free of any damage. If you find that parts are missing or show damage do not use the machine but contact your dealer. Using an incomplete or damaged product represents a hazard to people and property.
4. Ensure that you have all the accessories and tools needed for assembly and operation. This also includes suitable personal protective equipment.



WARNING! THE MACHINE AND THE PACKAGING ARE NOT CHILDREN'S TOYS! CHILDREN MUST NOT PLAY WITH PLASTIC BAGS, SHEETS AND SMALL PARTS! THERE IS A DANGER OF CHOKING AND SUFFOCATION!

You will need

(items not supplied)

Suitable personal protective equipment
Suitable wrench
Suitable lubricating oil
Battery pack (24) for EAN 5063022638076 and 5063022637567
Charger (25) for EAN 5063022638076 and 5063022637567

(items supplied)

Grass catcher (7)
Cutting blade (22)
Mulching insert (23)



NOTE: The accessories required depend on the intended application. Ask your dealer for advice.

EN Assembly



WARNING! THE MACHINE MUST BE FULLY ASSEMBLED BEFORE OPERATION!



DO NOT USE A MACHINE THAT IS ONLY PARTLY ASSEMBLED OR ASSEMBLED WITH DAMAGED PARTS!



WEAR PROTECTIVE GLOVES FOR THIS ASSEMBLY WORK AND ALWAYS LAY THE MACHINE ON A FLAT AND STABLE SURFACE WHILE ASSEMBLING.

FOLLOW THE ASSEMBLY INSTRUCTIONS STEP-BY-STEP AND USE THE PICTURES PROVIDED AS A VISUAL GUIDE TO EASILY ASSEMBLE THE PRODUCT!

BEFORE USING THE MACHINE, FAMILIARISE YOURSELF WITH THE OPERATING FEATURES READ THE ENTIRE INSTRUCTION MANUAL PAYING PARTICULAR ATTENTION TO THE SAFETY RULES AND OPERATING PROCEDURES.

DO NOT CONNECT THE MACHINE TO BATTERY PACK (24) BEFORE IT IS COMPLETELY ASSEMBLED!



NOTE: Take care of small parts that are removed during assembly or when making adjustments. Keep them secure to avoid loss.

If necessary, ask another person for assistance when assembling the machine.

Handle assembly

1. Put the machine on the flat and even ground.
2. Loosen the two locking knobs (8a) counterclockwise on the lower handle bars (6), but do not remove them (Fig.1, step 1).
3. Hold the grip handle (2) with one hand and unfold the handle assembly (4, 6) (Fig. 1, step 2).
4. Align the indicating triangle (6b) on dial plate (6a) with one of the handle height indicators (9b/9c) on handle support (9), then secure the handle assembly (4, 6) by tightening the locking knobs (8a) (Fig. 2).
5. Ensure the two lower handle bars (6) are assembled on the same height level on both sides.
6. Make sure that the control cord (20) runs on the upper side of the lower handle bar (6).

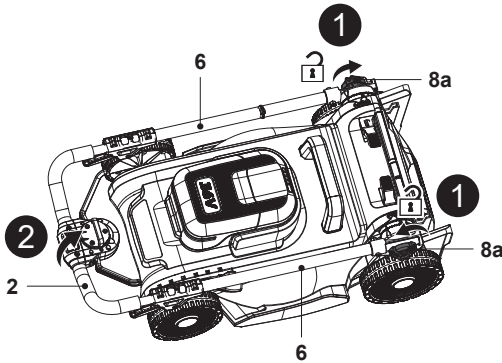


Fig. 1

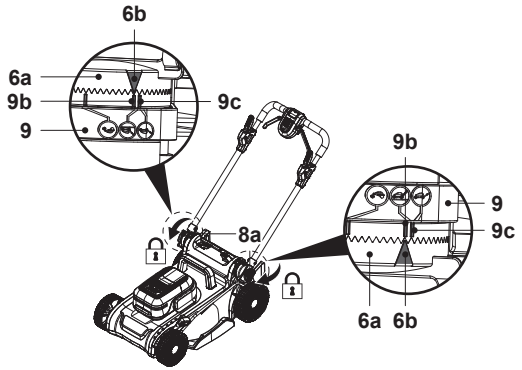


Fig. 2

7. Open the two locking levers (5), then grasp the grip handle (2) and gradually pull the upper handle bar (4) out all the way to the end (Fig. 3, steps 1, 2).



WARNING! PULL OR PUSH THE UPPER HANDLE BAR (4) GENTLY. DO NOT USE SUDDEN FORCE!



NOTE: Only use the lawnmower with upper handle bar (4) fully pulled out all the way to the end! Do not operate with the upper handle bar (4) fixed in the middle position.

8. Close the two locking levers (5) and check whether the upper handle bar (5) is secured (Fig. 3, step 3).

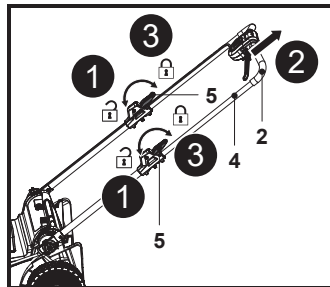


Fig. 3



WARNING! MAKE SURE THE TWO LOCKING LEVERS (5) ARE PROPERLY SECURED BEFORE USING THE MACHINE.

- Attach the control cord (20) into the cord clips (19) which may be pre-installed on the lower handle bar (6) (Fig. 4).

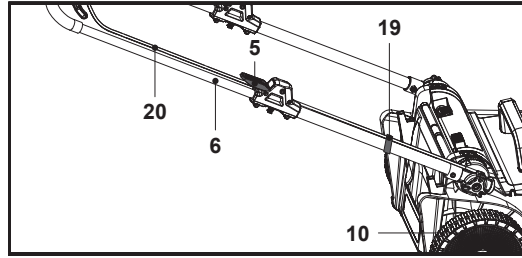


Fig. 4

- Check the condition of control cord (20) and keep it away from the rear wheel (10).

Grass catcher

- Clip the three rubber clips (7b) onto the supporting rod (7c) of the grass catcher (7) (Fig. 5).
- Assembly the carry handle (7a) into the two assembling slots on the top frame of grass catcher (7), paying attention to the correct orientation (Fig. 6).
- Make sure that the carry handle (7a) is firmly in place before use.
- Open the rear deflector guard (18) and hold it in position (Fig. 7, step 1).
- Carry the grass catcher (7) by its carry handle (7a).

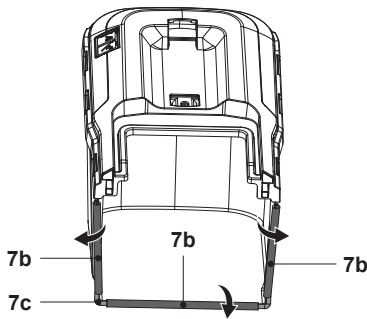


Fig. 5

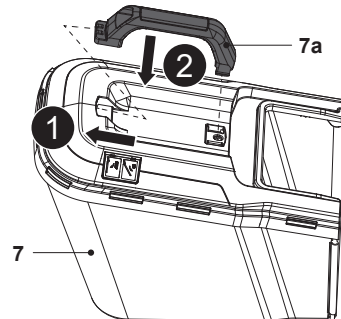


Fig. 6

- Align the two catcher hooks (7d) with the slots (21a) and hang the grass catcher (7) onto it (Fig. 7, Step 2).
- Carefully release the rear deflector guard (18) afterward.

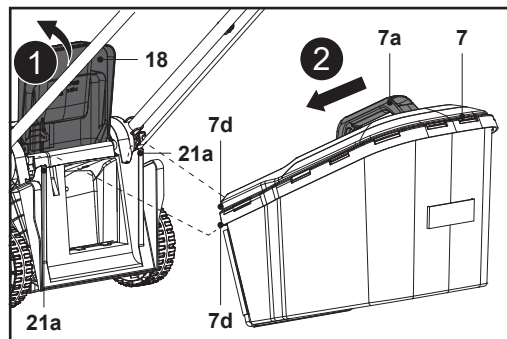


Fig. 7



NOTE: Always carry the grass catcher (7) by its carry handle (7a). Before hooking the grass catcher (7), check if the mulching insert (23) is in the rear discharge chute (21). Take away the mulching insert (23) before hooking the grass catcher (7).



NOTE: The mulching insert (23) must be removed if the grass catcher (7) is used.

Battery pack

Attaching the battery pack

1. Lift the magnetic lid (15c) and open the battery compartment cover (15) (Fig. 8, step 1).
2. Align the battery pack (24) with the two sliding slots (15b) and slide the battery pack (24) in to attach it (Fig. 8, step 2).
3. Make sure that the electrical contacts (15a) are fully inserted into the battery pack (24) and that it snaps in place with a click.
4. The battery pack (24) can only be installed in one direction.
5. Carefully close the battery compartment cover (15).

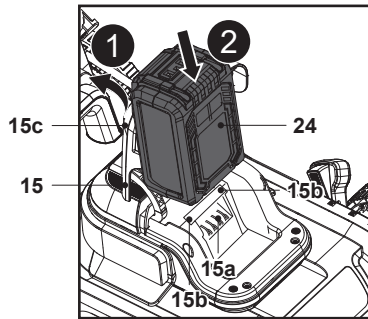


Fig. 8

Removing the battery pack

The battery pack (24) can't be charged whilst in the lawn mower. Remove the battery pack (24) from its battery compartment for charging.

1. Lift the magnetic lid (15c) and open the battery compartment cover (15) (Fig. 9, step 1).
2. Press down the release button (24a) to unlock the latch of battery pack (24) (Fig. 9, step 2).
3. Slide out the battery pack (24) from the battery compartment (Fig. 9, step 3).
4. Carefully close the battery compartment cover (15).

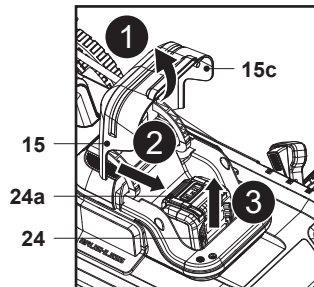


Fig. 9
24

Charging the battery pack

The battery pack (24) has been shipped in a low charge condition. Charge it fully before first use. Refer to the charger's instruction manual for the details.

Battery capacity indicators

The battery pack (24) is equipped with battery capacity indicators (24c) which are used to give an indication of the battery pack's remaining capacity. Press the battery capacity button (24b) to check battery capacity (Fig. 10). The LEDs will stay lit for approximately 3 seconds.

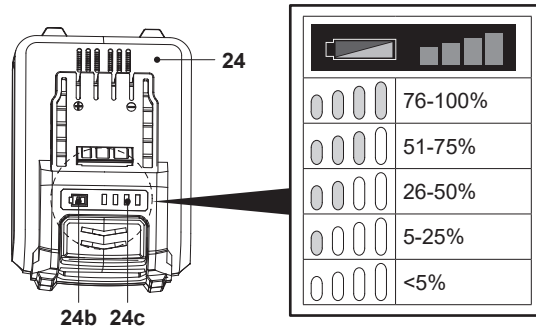


Fig. 10

EN Functions & Settings

Intended use

This cordless lawn mower is designated with a rated voltage of 36 V --- . It is designed only to be used with the battery pack which is listed in the chapter of "Technical specifications".

The machine is intended for mowing grass in domestic gardens only. It must not be used to mow unusually high, dry or wet grass, e.g. pasture grass, or to shred leaves.

The use of this machine in case of rain or humid environment is prohibited.

For safety reasons it is essential to read the entire instruction manual before first operation and to observe all the instructions therein.

This machine is intended for private domestic use only, not for any commercial trade use. It must not be used for any purposes other than those described.

Handle height adjustment



WARNING! SWITCH THE MACHINE OFF AND REMOVE THE BATTERY PACK (24). WAIT UNTIL THE CUTTING BLADE (22) HAS COME TO A COMPLETE STOP BEFORE ADJUSTING THE HANDLE HEIGHT!

Adjust the handle assembly to a suitable height according to your needs. There are two handle heights to choose.

1. Hold the handle assembly (4, 6) with one hand.
2. Unfold the two clamp levers (8) with the other hand and then swing the handle assembly (4, 6) to the other handle height position (Fig. 11, steps 1, 2).
3. Ensure that the indicating triangle (6b) is aligned with the handle height indicator (9b/9c), then fold the two clamp levers (8) to secure the handle assembly (4, 6) (Fig. 11, step 3).
4. Ensure the handle assembly (4, 6) is assembled on the same height level on both sides.

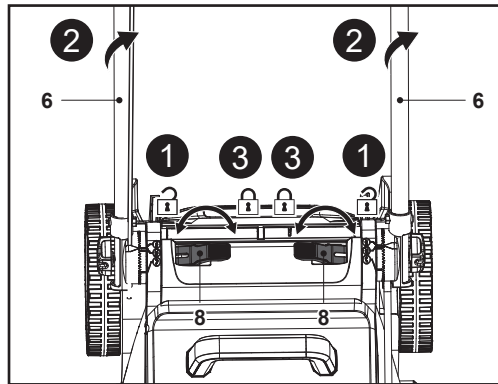


Fig. 11

Cutting height adjustment



WARNING! SWITCH THE MACHINE OFF AND REMOVE THE BATTERY PACK (24). WAIT UNTIL THE CUTTING BLADE (22) HAD COME TO A COMPLETE STOP BEFORE ADJUSTING THE CUTTING HEIGHT!

ENSURE THAT THE LEVER ENGAGES BETWEEN TWO OF THE PRONGS!

FOR THE FIRST CUT OF THE SEASON, A SUITABLE CUTTING HEIGHT SHOULD BE CHOSEN. DO NOT CHOOSE A LOW CUTTING HEIGHT IF THE GRASS IS LONG AND GREASY, THE MOTOR MAY NOT BE ABLE TO BOOT PROPERLY.

WHEN STARTING THE MOWER DO AN AUDIT OF THE HEIGHT OF THE GRASS. IF THE GRASS IS TOO TALL, THE MOWER WILL NOT START. IT WILL THEN INCREASE THE CUTTING HEIGHT. THIS FEATURE ALLOWS YOU TO SAVE THE ENGINE AND IMPROVE THE LIFE OF BATTERIES.

Adjust the cutting height according to the needs of your lawn. The cutting height depends on the kind of lawn and its actual height. When mowing high grass, start with the maximum cutting height and make a second cut with a lower cutting height.

1. Squeeze the locking button (12a) and hold it in position (Fig. 12, step 1).
2. Move the lever (12) forward or backward to adjust the cutting height (Fig. 12, step 2).
3. Release the locking button (12a) and ensure the lever (12) engaged in the slot properly (Fig. 12, step 3).

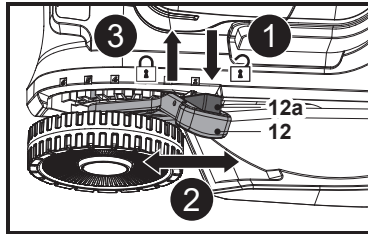


Fig. 12



WARNING! ENSURE THAT THE LEVER (12) ENGAGES IN THE SLOT AFTER EACH ADJUSTMENT.



NOTE: The mowing height can be adjusted between 25 mm and 75 mm by 6 steps.

The mowing height figures should be used just as a guideline. Depending on the conditions of the lawn or the ground, the actual lawn height may become slightly different from the set height.

Grass catcher



WARNING! DO NOT ATTEMPT TO USE THE MACHINE WITHOUT THE GRASS CATCHER (7) ATTACHED WHEN COLLECTING GRASS - DANGER OF FLYING OBJECTS!

SWITCH THE MACHINE OFF AND REMOVE THE BATTERY PACK (24). WAIT UNTIL THE CUTTING BLADE (22) HAD COME TO A COMPLETE STOP BEFORE REMOVING THE GRASS CATCHER (7)!

1. Always attach the grass catcher (7) when using the machine for grass collection as described in the "Assembly - grass catcher" section.
2. Always carry the grass catcher (7) by its handle (7a).

Indicator

The grass catcher (7) is equipped with a hatch (7f) that indicates the filling during operation.

1. When the hatch (7f) is opened the grass catcher (7) has sufficient volume left to collect grass (Fig. 13).
2. When the hatch (7f) is closed, the grass catcher (7) is full and must be emptied (Fig. 14).

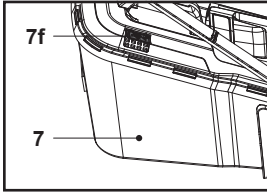


Fig. 13

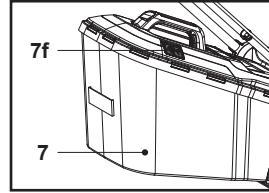


Fig. 14

Emptying



WARNING! SWITCH THE MACHINE OFF AND REMOVE THE BATTERY PACK (24), THEN WAIT THAT THE CUTTING BLADE (22) HAD COME TO A COMPLETE STOP BEFORE REMOVING THE GRASS CATCHER (7)!

Empty the grass catcher (7) frequently during use. Do not wait until it is completely full. We recommend emptying when it is 90% full or there is trace of grass leakage on grass land.



NOTE: A full grass catcher (7) will reduce the performance of this machine.

1. Lift the rear deflector guard (18) and hold it in place.
2. Lift the grass catcher hooks (7d) off the slots (21a) and remove the grass catcher (7).
3. Remove the grass clippings from the rear discharge chute (21) into the grass catcher (7). Use a proper tool such as a brush.
4. Remove the grass catcher (7) by its carry handle (7a).
5. Empty the grass clippings onto a compost heap by handles (7a, 7e).
6. Re-fit the grass catcher (7) to the machine and ensure the grass catcher hooks (7d) to stay correctly onto the slots (21a) as described in the "Assembly - grass catcher" section.



WARNING! NEVER USE YOUR HANDS OR FEET TO REMOVE GRASS CLIPPINGS FROM THE REAR DISCHARGE CHUTE (21)!



Mulching insert

The mulching insert (23) prevents grass from being collected by blocking the rear discharge chute (21). This allows the grass clippings to be deposited back on the lawn during cutting.



NOTE: Mulching means cutting and returning the grass clippings to the lawn in one step: the grass clippings are cut very fine and then distributed evenly back onto the lawn. Under normal conditions, the mulched grass will biodegrade quickly to provide nutrients to the lawn.

Do not attach the grass catcher (7) and the mulching insert (23) at the same time.

1. Open the rear deflector guard (18), hold the recess handle (23a) in position and insert the mulching insert (23) into the rear discharge chute (21) all the way to the end (Fig. 15).
2. Lift the recess handle (23a) and then pull the mulching insert (23) out of the rear discharge chute (21), then remove the mulching insert (23) (Fig. 16).

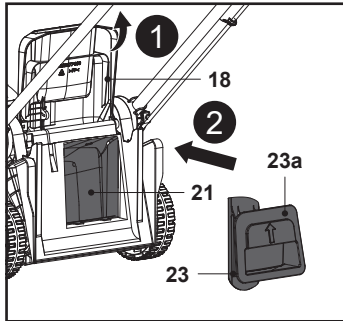


Fig. 15

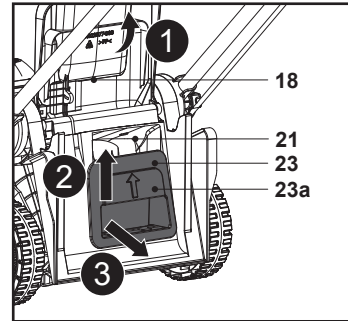


Fig. 16

Machine / battery protection system

The lawn mower has a built-in protection system. This system automatically cuts off power to the motor to extend tool and battery life. The lawn mower will automatically stop during operation if it is placed under one of the following conditions.

Overload protection

When the machine is operated in a manner that causes it to draw an abnormally high current, the machine automatically stops without any indication. In this situation, turn the machine off and stop the application that caused the machine to become overloaded. Then turn the machine on to restart.

Overheat protection

When the battery is overheated, the battery stops automatically. Let the machine cool down before turning the machine on again.

Overdischarge protection

When the battery capacity becomes low, the machine stops automatically. If the product does not operate even when the switches are operated, remove the batteries from the machine and charge the batteries.

EN Use

General operation

1. Check the machine, its battery pack and charger as well as accessories for damage before each use. Do not use the machine if it is damaged or shows wear. Take care of any problem you find or have the machine checked by qualified specialist.
2. Double check that the accessories and attachments are properly secured.
3. Always push the machine using the grip handle (2). Keep the handles dry to ensure safe support.
4. Ensure that the air vents (16b) are always unobstructed and clear. Clean them if necessary with a soft brush. Blocked air vents may lead to overheating and damage the machine.

5. Switch the machine off immediately and remove the battery pack (24) if you are disturbed while working by other people entering the working area. Always let the machine come to complete stop before leaving it unattended.
6. Do not overwork yourself. Take regular breaks to ensure you can concentrate on the work and have full control over the machine.

Starting / Stopping



WARNING! BEFORE STARTING, PUT THE MACHINE ON A FLAT SURFACE FREE OF HIGH GRASS!



CLEAN THE UNDERSIDE OF THE DECK!

START THE MOTOR CAREFULLY ACCORDING TO INSTRUCTIONS. KEEP YOUR FEET WELL AWAY FROM THE CUTTING BLADE (22)!

DO NOT TILT THE MACHINE WHEN STARTING THE MOTOR.

Starting



NOTE: The machine can only be started by pressing the safety switch button (1) followed by squeezing the start levers (3). Reverse operation cannot start the machine.

1. Lift the magnetic lid (15c) and open the battery compartment cover (15), then fully insert the battery pack (24).
2. Carefully close the battery compartment cover (15).
3. Stand behind the grip handle (2).
4. While holding the safety switch button (1) pressed, pull the start levers (3) towards the grip handle (2) and hold them in position (Fig. 17, steps 1, 2).
5. After the lawn mower starts, release the safety switch button (1).
6. The actual battery capacity will be displayed on the battery display (16a) at the back of motor cover (16).
7. Push the machine forward and start mowing.

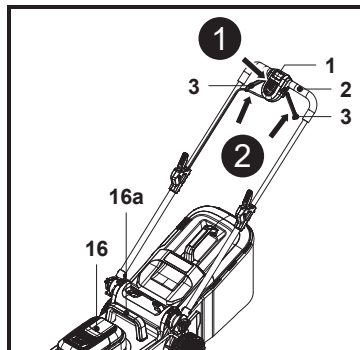


Fig. 17

Stopping

Release the start levers (3) to stop motor and cutting blade (22) (Fig. 18).

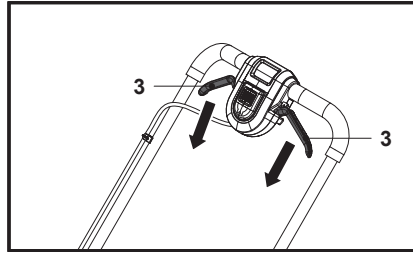


Fig. 18

Mowing

1. Make sure that the lawn is clear of stones, sticks, wire or other objects that could damage the machine or its blade.
2. Do not cut wet grass because it tends to stick to the underbody of the machine, preventing the proper discharge of grass clippings, and it could also cause you to slip and fall.
3. Never cut off more than one-third of the total length of the grass for a healthy lawn. In the autumn, lawns should only be cut as long as there is growth.
4. Slowly push the machine forward.
5. Mow in slight overlapping rows. The most effective pattern for mowing lawns is straight lines along one of the sides. This will keep the rows even and ensures that all the lawn is cut without missing any spots (Fig. 19).

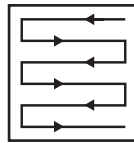


Fig. 19

6. Circle around flower beds. When reaching a flower bed in the middle of the lawn, cut a row or two around the circumference of the bed.
7. Pay special attention when changing direction.
8. Empty the grass catcher (7) regularly.



WARNING! IF THE MACHINE STRIKES A FOREIGN OBJECT, STOP IMMEDIATELY! LET THE MACHINE COOL DOWN AND THOROUGHLY INSPECT IT FOR DAMAGE! HAVE ANY DAMAGE REPAIRED BEFORE RESTARTING!



EXTENSIVE VIBRATION OF THE MACHINE DURING OPERATION IS AN INDICATION OF DAMAGE! THE MACHINE SHOULD BE PROMPTLY INSPECTED AND REPAIRED!



9. Prepare the machine according to required application.

Function	Grass catcher	Mulching insert
Grass collection	attached	removed
Mulching	removed	inserted

Grass collection

1. Remove the mulching insert (23) and attach the grass catcher (7).
2. Empty the grass catcher (7) regularly.

Mulching



NOTE: Mulching means cutting and returning the grass clippings to the lawn in one step: the grass clippings are cut very fine and then distributed evenly back onto the lawn. Under normal conditions, the mulched grass will biodegrade quickly to provide nutrients to the lawn.

1. Insert the mulching insert (23) into the rear discharge chute (21), make sure that the grass catcher (7) is not fitted to the machine.
2. Avoid mowing when the grass is wet from rain or dew. Wet grass may form clumps which interfere with the mulching action and reduce runtime. The best time to mow grass is late afternoon when the grass is dry and the newly cut area will not be exposed to direct sunlight.
3. Set the cutting height to about one third of the grass blade length, ideally no more than 35 mm at one time for best mulching performance. If the lawn is overgrown, it may be necessary to increase the cutting height to reduce the pushing effort and prevent the motor overloading. For extremely heavy mulching, it is advisable to first cut at a high cutting height, and then again to a lower cutting height. Otherwise, make narrower cuts and mow slowly.
4. Keep the housing free of built-up grass for best performance. From time to time switch the product off and wait for the blade to come to a complete stop. Then turn the product on its side. Using an object such as a wooden stick, remove any accumulation of grass in the blade area. Be careful of the sharp edges of the blade. Clean often after cutting new grass and after every use.
5. Certain types of grass or grass conditions may require an area to be mulched a second time to fully disperse the grass across the lawn. When cutting a second time, it is advisable to cut perpendicular (across) the first cutting pattern. Do not change the cutting pattern in any way that would cause you to mow downhill.
6. Change your cutting pattern from week to week. This will help prevent matting and graining of the lawn.

After use

1. Switch the machine off, remove the battery pack (24) and let it cool down.
2. Check, clean and store the machine as described below.

The golden rules for care



WARNING! ALWAYS SWITCH THE MACHINE OFF, REMOVE THE BATTERY PACK (24) AND LET THE MACHINE COOL DOWN BEFORE PERFORMING INSPECTION, MAINTENANCE AND CLEANING WORK!



ONLY PERFORM CARE AND MAINTENANCE WORK ACCORDING TO THESE INSTRUCTIONS! ALL FURTHER WORKS MUST BE PERFORMED BY A QUALIFIED SPECIALIST!

1. Keep the machine clean. Remove debris from it after each use and before storage.
2. Regular and proper cleaning will help ensure safe use and prolong the life of the appliance.
3. Inspect the machine before each use for worn and damaged parts. Do not operate it if you find broken and worn parts.



WARNING! ONLY PERFORM REPAIRS AND MAINTENANCE WORK ACCORDING TO THESE INSTRUCTIONS! ALL FURTHER WORKS MUST BE PERFORMED BY A QUALIFIED SPECIALIST!

General cleaning

1. Clean the machine with a damp cloth and pH-neutral soap. Use a brush for areas that are hard to reach.
2. In particular clean the switches and air vents after every use with a cloth and brush.
3. Remove stubborn dirt with high pressure air (max. 3 bar).



NOTE: Do not use chemical, alkaline, abrasive or other aggressive detergents or disinfectants to clean this product as they might be harmful to its surfaces.

4. Check for any damage and wear. Repair damages in accordance with this instruction manual or take it to an authorised service centre before using the machine again.

Spare parts / Replacement parts

The following parts of this product may be replaced by the consumer. Spare parts are available at an authorized dealer or through our customer service.

Description	Part code
Grass catcher (7)	199011000059 / 199011000065
Cutting blade (22)	201045000459
Battery pack (24)	MDVB36-4 / TTB812BAT / MCT1239BAT / TTT1240BAT
Charger (25)	MFC36 / TTB815CHR / MCB1241CHR / TTB1242CHR

Maintenance

Before and after each use, check the machine and accessories (or attachments) for wear and damage. If required, exchange them for new ones as described in this instruction manual. Observe the technical requirements.

Underbody and cutting blade



WARNING! WEAR SAFETY GLOVES WHEN WORKING ON THE CUTTING BLADE (22)! USE PROPER TOOLS TO REMOVE DEBRIS, EITHER A WOODEN STICK OR HAND BRUSH. NEVER USE YOUR BARE HANDS!



ALWAYS USE ORIGINAL SPARE PARTS FOR REPLACEMENT. THE CUTTING BLADE MUST BE REPLACED BY AN IDENTIFICATION NO. A022050-025. DO NOT ATTACH ANY OTHER TYPE OF CUTTING BLADE!



THE REPLACEMENT OF THE CUTTING BLADE SHOULD BE DONE BY A QUALIFIED SPECIALIST! REWORK OR SHARPENING BLADES IS NOT RECOMMENDED UNLESS IT IS DONE BY A REPAIR SERVICE OR A SIMILARLY QUALIFIED SPECIALIST!

1. Keep the underbody and cutting blade (22) clean and free of debris. Remove clippings from the rear discharge chute (21).
2. Check all fasteners, such as nuts and bolts, periodically for tightness before operation. After prolonged use, especially in sandy soil conditions, the cutting blade will become worn and lose some of the original shape. The cutting efficiency will be reduced and the cutting blade should be replaced.
3. Keep the cutting blade (22) sharp to ensure a good cutting performance. Replace a worn or damaged cutting blade with a new one of the same type or have it sharpened by a qualified specialist.
4. Loosen the mounting bolt (22c) counterclockwise using a suitable electric impact wrench (socket size 13 mm) (Fig. 20), remove it together with the flat washer (22b) and the cutting blade (22).

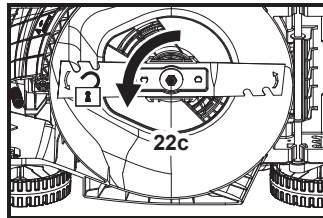


Fig. 20



NOTE: If a hand tool wrench or spanner is used instead of an electric impact wrench, the cutting blade (22) should be prevented from rotating while loosening the bolt. Wear heavy-duty gloves and grip the blade firmly. Use a good-size piece of wood to block the rotation of the blade if necessary (Fig. 21).

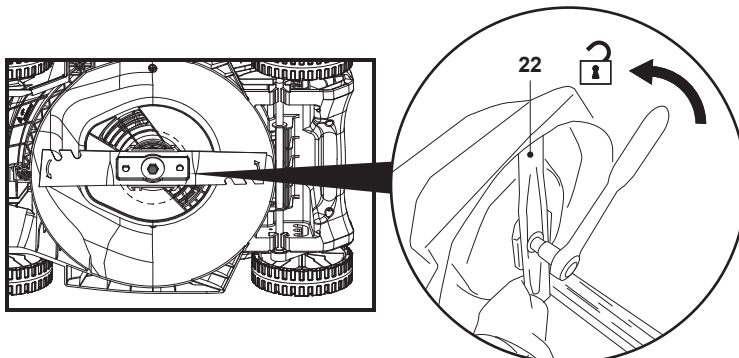


Fig. 21

- Replace the cutting blade (22) with a new one of the same type. Check the status of blade holder (22a) onto the spindle firstly, then attach the cutting blade (22) to the blade holder (22a) by aligning it with the patterns on the blade holder (22a), fix the assembly with the flat washer (22b) and mounting bolt (22c), and tighten by hand.
- Hold the cutting blade (22) firmly with a heavy-duty gloved hand and/or a wood stick, tighten the mounting bolt (22c) clockwise with 25 Nm min, 30 Nm max to ensure safe operation of your machine (Fig. 22).

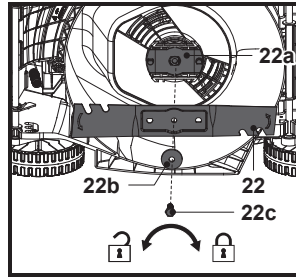


Fig. 22



WARNING! BEFORE EACH USE, MAKE SURE THAT THE CUTTING BLADE (22) AND ALL THE FIXING PARTS ARE INSTALLED CORRECTLY AND TIGHTENED SECURELY.

ONLY USE ORIGINAL SPARE MOUNTING BLOT (22C) FOR REPLACEMENT.

- Replace this cutting blade (22) after 50 hours mowing or 2 years whichever is sooner regardless of condition. If the cutting blade (22) is cracked or damaged, you must immediately replace it with a new one.
- Lubricate the cutting blade (22) after each use to prolong the life span of cutting blade (22) and machine. Apply light machine oil along the edge of the cutting blade (22).

Grass catcher

- Inspect the grass catcher (7) before each use. Do not use it if you find any damage.
- Clean the grass catcher (7) after operation using water and mild soap.
- Let the grass catcher (7) dry thoroughly before storing to avoid mildew.

Control cord

Check the control cord (20) before each use.



WARNING! DO NOT USE THE MACHINE WITH A DEFECTIVE OR A LOOSE CONTROL CORD (20)!

Repair

This machine does not contain any parts that can be repaired by the consumer. Contact an authorised service centre or a similarly qualified person to have it checked and repaired.

Storage

1. Switch the machine off and remove the battery pack (24) before storage.
2. Clean the machine as described above.
3. Store the machine and its accessories in a dark, dry, frost-free, well-ventilated place.
4. Always store the machine in a place that is inaccessible to children. The ideal storage temperature is between 10 °C and 30 °C.
5. We recommend using the original package for storage or covering the lawn mower (without battery pack) with a suitable cloth or enclosure to protect it against dust.
6. Charge the battery pack to 3 bars on the light indicator before storage.
7. The handle(s) can be fully folded up for storage:
 - Remove the grass catcher (7) / mulching insert (23).
 - Set the lever for cutting height adjustment (12) to the lowest position.
 - Loosen two clamp levers (8), then completely fold the handle assembly (Fig. 23, steps 1, 2).
 - Secure the connections by locking the two clamp levers (8) and ensure that the indicating triangle (6b) is aligned with parking indicator (9a) to avoid scattering (Fig. 23, step 3).
 - Store the lawn mower flat or upright (Fig. 24).

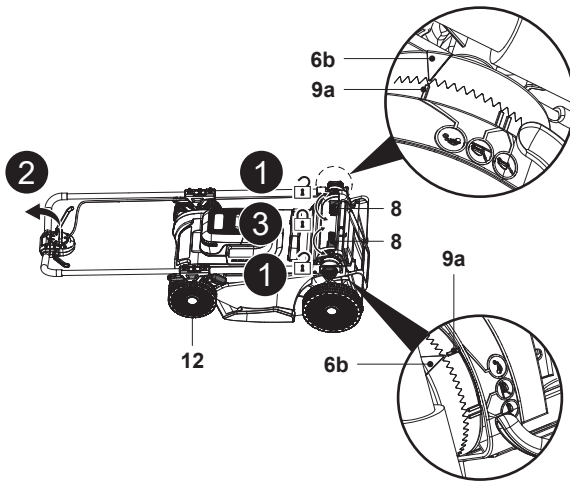


Fig. 23

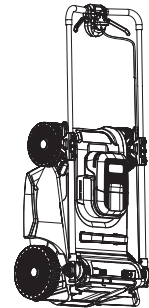


Fig. 24

8. It's recommended to store the mower with the grass catcher (7) hooked on the mower and the mulching insert (23) installed in the mower (Fig. 25).

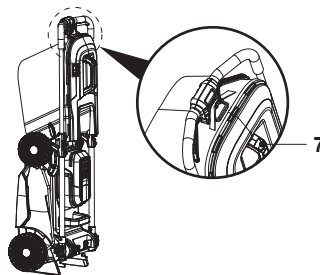


Fig. 25

9. To save space, you can also open the two locking levers (5) and insert the upper handle all the way to stop, secure the connections (5, 8) and ensure that the indicating triangle (6b) is aligned with parking indicator (9a) to avoid scattering (Fig. 26).
10. Store the lawn mower flat or upright (Fig. 27).

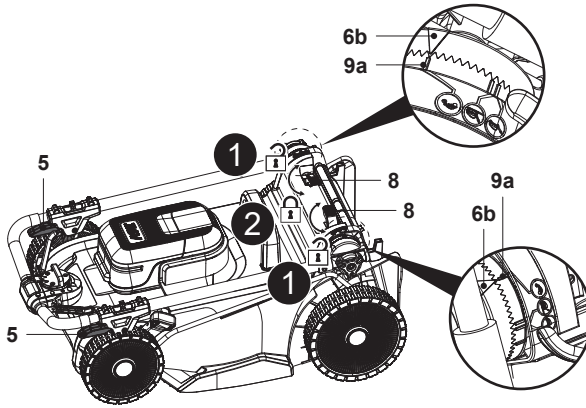


Fig. 26

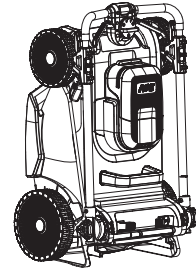


Fig. 27

Transportation

1. Switch the machine off and remove the battery pack (24) before transporting it anywhere.
2. Attach transportation guards, if applicable.
3. Always transport the machine by its transport handles (14, 17).
4. Protect the machine from any heavy impact or strong vibrations which may occur during transportation in vehicles.
5. Secure the machine to prevent it from slipping or falling over, damage and injury.

Troubleshooting

Suspected malfunctions are often due to causes that the users can fix themselves. Therefore check the product using this section. In most cases the problem can be solved quickly.



WARNING! ONLY PERFORM THE STEPS DESCRIBED WITHIN THESE INSTRUCTIONS! ALL FURTHER INSPECTION, MAINTENANCE AND REPAIR WORK MUST BE PERFORMED BY AN AUTHORISED SERVICE CENTRE OR A SIMILARLY QUALIFIED SPECIALIST IF YOU CANNOT SOLVE THE PROBLEM YOURSELF!

Problem	Possible cause	Solution
1. Product does not start	1.1. Battery pack is not properly attached	1.1. Attach properly
	1.2. Battery pack is discharged	1.2. Remove and charge battery pack
	1.3. Battery pack is hot	1.3. Remove and let it cool
	1.4. Battery pack is damaged	1.4. Check by a specialist electrician
	1.5. Incorrect methods to start the product	1.5. Press the safety switch button and hold it in position, then pull the start lever to start the product
	1.6. Other electrical defect to the product	1.6. Check by a specialist electrician
2. Product does not reach full power	2.1. Battery pack capacity is too low	2.1. Charge battery pack
	2.2. Air vents are blocked	2.2. Clean the air vents
3. Unsatisfactory cutting result	3.1. Cutting blade is dull / damaged	3.1. Replace with a new one
	3.2. Cutting material exceeds capacity	3.2. Only cut materials according to the product capacity.
	3.3. Cutting height is incorrect	3.3. Adjust the cutting height
4. Product suddenly stops	4.1. Battery pack is discharged	4.1. Remove and charge battery pack
	4.2. Battery pack is too hot	4.2. Remove battery pack and let it cool down
	4.3. Cutting blade is blocked	4.3. Remove blockage
5. Excessive vibration or noise	5.1. Cutting blade is dull/damaged	5.1. Replace with a new one
	5.2. Cutting material exceeds capacity	5.2. Only cut materials according to the product capacity
	5.3. Cutting height is incorrect	5.3. Adjust the cutting height
	5.4. Bolts/nuts are loosened	5.4. Tighten bolts/nuts

Recycling and disposal



This symbol is known as the 'Crossed-out Wheelie Bin Symbol'.

When this symbol is marked on a product or battery, it means that it should not be disposed of with your general household waste.

Some chemicals contained within electrical/electronic products or batteries can be harmful to health and the environment.

Only dispose of electrical/ electronic/battery items in separate collection schemes, which cater for the recovery and recycling of materials contained within.

Your co-operation is vital to ensure the success of these schemes and for the protection of the environment.

The product comes in a package that protects it against damage during shipping. Keep the package until you are sure that all parts have been delivered and the product is working properly. Recycle the package afterwards.

Disposal of an exhausted battery pack



The battery is Li-Ion type. To preserve natural resources, please recycle or dispose of the battery pack properly. Consult your local waste authority for information regarding available recycling and / or disposal options.

Discharge your battery pack by operating your machine, then remove the battery packs from the machine and cover the battery pack connections with heavy duty adhesive tape to prevent short circuit and energy discharge.

Do not attempt to open or remove any of the components.

Guarantee

We take special care to select high quality materials and use manufacturing techniques that allow us to create products incorporating design and durability. This product has a manufacturer's guarantee of 2 years against manufacturing defects, from the date of purchase (if bought in store) or date of delivery (if bought online), at no additional cost for normal (non-professional or commercial) household use.

To make a claim under this guarantee, you must present your proof of purchase (such as a sales receipt, purchase invoice or other evidence admissible under applicable law), please keep your proof of purchase in a safe place. For this guarantee to apply, the product you purchased must be new, it will not apply to second hand or display products. Unless stated otherwise by applicable law, any replacement product issued under this guarantee will only be guaranteed until expiry of the original period guarantee period.

This guarantee covers product failures and malfunctions provided the product was used for the purpose for which it is intended and subject to installation, cleaning, care and maintenance in accordance with the information contained in these terms and conditions, in the user manual and standard practice, provided that standard practice does not conflict with the user manual.

This guarantee does not cover defects and damage caused by normal wear and tear or damage that could be the result of improper use, faulty installation or assembly, neglect, accident, misuse, or modification of the product. Unless stated otherwise by applicable law, this guarantee will not cover, in any case, ancillary costs (shipping, movement, costs of uninstalling and reinstalling, labour etc), or direct and indirect damage.

This guarantee does not cover defects and damage caused by or resulting from:

- Normal wear and tear
- Overload, misuse or neglect
- Repairs attempted by anyone other than an authorised agent
- Cosmetic damage
- Damage caused by foreign objects, substances or accidents
- Accidental damage or modification
- Failure to follow manufacturer's guidelines
- Loss of use of the goods

If the product is defective, we will, within a reasonable time, repair, replace, refund, service or provide spare parts.

Rights under this guarantee are enforceable in the country in which you purchased this product. Guarantee related queries should be addressed to the store you purchased this product from.

The guarantee is in addition to and does not affect your statutory rights.

**IMPORTANT - RETAIN THIS INFORMATION
FOR FUTURE REFERENCE:
READ CAREFULLY**

Customer care and technical helpline


A better way to repair your tools

Kingfisher takes special care in creating high-quality garden power tools that are designed to last. But if a fault develops with your garden power tool and you need to claim under the guarantee, the Customer Care and Technical Helpline can support with technical assistance or if required, arrange a free courier collection from your home, assess your garden power tool for fault, repair it, and return it.

Deciding to repair your product rather than buying a replacement and adding to the mountain of waste is a more sustainable choice and you will be doing your bit for the environment.

How does it work?



 *** NOTE:** Before collection, all fuel must be removed from petrol powered machines.

Get in touch

If you need help or more information, please contact the Customer Care and Technical Helpline:

UK 0330 678 3077

ROI 1 800 365 800

Opening hours are Monday – Friday, 8 am - 5 pm

Availability of spare parts

Contact the customer service helpline for assistance or visit www.kingfisherspares.com

For assistance contact the customer services helpline:

UK 0330 678 3077 uk@kingfisherservice.com

ROI 1 800 365 800 eire@kingfisherservice.com

Further information about this product can also be found at:

www.kingfisher.com/products





(EN) EU DECLARATION OF CONFORMITY
(FR) DÉCLARATION UE DE CONFORMITÉ
(PL) DEKLARACJA ZGODNOŚCI UE
(RO) DECLARAȚIA DE CONFORMITATE UE
(ES) DECLARACIÓN UE DE CONFORMIDAD
(PT) DECLARAÇÃO DE CONFORMIDADE UE

Product/Produit/Produkt/Produsul/Producto/Produto

- Cordless lawnmower 36 V 38 cm / Tondeuse à gazon 36 V 38 cm / Kosiarka akumulatorowa 36 V 38 cm / Mașină de tuns iarba, fără fir 36 V 38 cm / Cortacésped 36 V 38 cm / Corta-relva sem fios 36 V 38 cm
- MCT1191LWM / TTT1192LWM, 38 cm
- SN: 000001 to 999999

Name and address of the manufacturer or his authorised representative:

Nom et adresse du fabricant ou de son mandataire:

Nazwa i adres producenta lub jego upoważnionego przedstawiciela:

Denumirea și adresa producătorului sau a reprezentantului său autorizat:

Nombre y dirección del fabricante o de su representante autorizado:

Nome e endereço do fabricante ou do respetivo mandatário:

Kingfisher International Products B.V.,
Rapenburgerstraat 175E,
1011 VM Amsterdam,
The Netherlands

This declaration of conformity is issued under the sole responsibility of the manufacturer.

La présente déclaration de conformité est établie sous la seule responsabilité du fabricant.

Niniejsza deklaracja zgodności wydana zostaje na wyłączną odpowiedzialność producenta.

Prezenta declarație de conformitate este emisă pe răspunderea exclusivă a producătorului.

La presente declaración de conformidad se expide bajo la exclusiva responsabilidad del fabricante.

A presente declaração de conformidade é emitida sob a exclusiva responsabilidade do fabricante.

Object of the declaration/Objet de la declaration/Przedmiot deklaracji/Obiectul declarației/Objeto de la declaración/Objeto da declaração

Product/Produit/Produkt/Produsul/Producto/Produto	Model/Modèle/Model/Modelul/Modelo/Modelo	EAN
Cordless lawnmower 36 V 38 cm / Tondeuse à gazon 36 V 38 cm / Kosiarka akumulatorowa 36 V 38 cm / Mașină de tuns iarba, fără fir 36 V 38 cm / Cortacésped 36 V 38 cm / Corta-relva sem fios 36 V 38 cm	MCT1191LWM TTT1192LWM	5063022637161 5063022636959 5063022638076 5063022637727 5063022637062 5063022637567

The object of the declaration described above is in conformity with the relevant Union harmonisation legislation:

L'objet de la déclaration décrit ci-dessus est conforme à la législation d'harmonisation de l'Union applicable:

Wymieniony powyżej przedmiot niniejszej deklaracji jest zgodny z odpowiednimi wymaganiami unijnego prawodawstwa harmonizacyjnego:

Obiectul declarației descris mai sus este în conformitate cu legislația relevantă de armonizare a Uniunii:

El objeto de la declaración descrita anteriormente es conforme con la legislación de armonización pertinente de la Unión:

O objeto da declaração acima descrito está em conformidade com a legislação de harmonização da União aplicável:

2006/42/EC as amended Machinery Directive
 2014/30/EU as amended Directive Electromagnetic compatibility
 2000/14/EC as amended Outdoor Noise Directive
 2011/65/EU as amended Directive on the restriction of the use of certain hazardous substances in electrical and electronic equipment
 Directive 2006/42/CE relative aux machines
 2014/30 / UE telle que modifiée Directive Compatibilité électromagnétique
 Directive 2000/14/CE relative aux émissions sonores extérieures
 Directive 2011/65/UE relative à la limitation de l'utilisation de certaines substances dangereuses dans les équipements électriques et électroniques
 2006/42/WE w zmienionej dyrektywie maszynowej
 2014/30 / UE ze zmianami Dyrektywa Kompatybilność elektromagnetyczna
 2000/14/WE w zmienionej dyrektywie w sprawie hałasu na zewnątrz
 2011/65/UE zgodnie z wprowadzonymi poprawkami Dyrektywa w sprawie ograniczenia stosowania niektórych niebezpiecznych substancji w sprzęcie elektrycznym i elektronicznym
 2006/42/CE, astfel a fost modificată Directiva privind echipamentele
 2014/30/UE, astfel a fost modificată Directiva privind compatibilitatea electromagnetică
 2000/14/CE, astfel a fost modificată Directiva privind zgomotul în aer liber
 2011/65/UE cum a fost modificată Directiva Restricțiile de utilizare a anumitor substanțe periculoase în echipamentele electrice și electronice
 Directiva sobre maquinaria modificada 2006/42/CE
 2014/30/UE modificada Directiva Compatibilidad electromagnética
 2000/14/CE modificada Directiva sobre ruido al aire libre
 2011/65/UE según enmendado Directiva sobre restricciones a la utilización de determinadas sustancias peligrosas en aparatos eléctricos y electrónicos
 2006/42/CE como diretiva de máquinas alteradas
 2014/30/UE como alteração da compatibilidade eletromagnética
 2000/14/CE como diretiva de ruído exterior alterada
 2011/65/UE conforme alterado Directiva Restrição do uso de determinadas substâncias perigosas em equipamentos eléctricos e electrónicos

Measured Sound Power Level	Guaranteed Sound Power Level
Le niveau de puissance acoustique mesuré	Le niveau de puissance acoustique garant
Zmierzony poziom mocy akustycznej	Gwarantowany poziom mocy akustycznej
Nivel de putere acustică măsurat	Nivel de putere acustică garantat
Nivel de potencia sonora medido	Nivel de potencia sonora garantizado
Nível de potência sonora medido	Nível de potência sonora garantido
: 86.92 dB(A)	: 88 dB(A)

TÜV Rheinland LGA Products GmbH, Tillystraße 2 - 90431 Nürnberg, Germany (No.0197) performed EC-Type Examination according to Outdoor Noise Directive 2000/14/EC Annex VI. EC Type Approval No: JO 60182474 0001.

TÜV Rheinland LGA Products GmbH, Tillystraße 2 - 90431 Nürnberg, Germany (No.0197) a effectué l'examen CE de type conformément à l'annexe VI de la directive 2000/14/CE sur le bruit extérieur. Approbation de type CE Non : JO 60182474 0001.

TÜV Rheinland LGA Products GmbH, Tillystraße 2 - 90431 Nürnberg, Germany (No.0197) przeprowadził badanie typu WE zgodnie z dyrektywą w sprawie hałasu zewnętrznego 2000/14/WE załącznik VI. Homologacja typu WE nr: JO 60182474 0001.

TÜV Rheinland LGA Products GmbH, Tillystraße 2 - 90431 Nürnberg, Germany (No.0197) a efectuat examinarea CE de tip în conformitate cu Directiva privind zgomotul exterior 2000/14/CE anexa VI. Nr. omologare CE de tip: JO 60182474 0001.

TÜV Rheinland LGA Products GmbH, Tillystraße 2 - 90431 Nürnberg, Germany (No.0197) realizó el examen CE de tipo de acuerdo con la Directiva de ruido exterior 2000/14/CE Anexo VI. No de homologación de tipo CE: JO 60182474 0001.

TÜV Rheinland LGA Products GmbH, Tillystraße 2 - 90431 Nürnberg, Germany (No.0197) realizou o Exame CE do Tipo de acordo com o Anexo VI da Diretiva 2000/14/CE relativa ao ruído exterior. Aprovação do tipo CE Não: JO 60182474 0001.

References to the relevant harmonised standards used or references to the other technical specifications in relation to which conformity is declared:

Références des normes harmonisées pertinentes appliquées, y compris la date de celles-ci, ou des autres spécifications techniques, y compris la date de celles-ci, par rapport auxquelles la conformité est déclarée:

Odwolania do odnośnych norm zharmonizowanych, które zastosowano, wraz z datą normy, lub do innych specyfikacji technicznych, wraz z datą specyfikacji, w odniesieniu do których deklarowana jest zgodność:

Trimiteri la standardele armonizate relevante folosite, inclusiv data standardului, sau trimiteri la celelalte specificații tehnice, inclusiv data specificațiilor, în legătură cu care se declară conformitatea:

Referencias a las normas armonizadas pertinentes utilizadas, incluidas las fechas de las normas, o referencias a las otras especificaciones técnicas, incluidas las fechas de las especificaciones, respecto a las cuales se declara la conformidad:

Referências às normas harmonizadas aplicáveis utilizadas, incluindo a data da norma, ou às outras especificações técnicas, incluindo a data da especificação, em relação às quais é declarada a conformidade:

EN 62841-1: 2015 + A11: 2022

EN IEC 62841-4-3: 2021 + A11: 2021

EN IEC 61000-3-2: 2019 + A1: 2021

EN 61000-3-3: 2013 + A1: 2019 + A2: 2021

EN IEC 55014-1: 2021

EN IEC 55014-2: 2021

EN IEC 63000: 2018

Authorised signatory and technical file holder / signataire et responsable de la documentation technique autorisé / podmiot uprawniony do wystawienia i adres przechowywania dokumentacji technicznej / semnatar autorizat și deținător al dosarului tehnic / firmante autorizado y titular del expediente tecnico / signatário autorizado e detentor da ficha técnica

Kingfisher International Products B.V.,
Rapenburgerstraat 175E,
1011 VM Amsterdam,
The Netherlands



David Awe
Group Quality Director
Directeur Qualité Groupe
Dyrektor ds. Jakości Grupy
Director Calitate Grup
Director de Calidad del Grupo
Diretor de Qualidade do Grupo

: [09/07/2025]

Manufacturer:

UK Manufacturer:

Kingfisher International Products Limited,
1 Paddington Square, London, W2 1GG,
United Kingdom

EU Manufacturer:

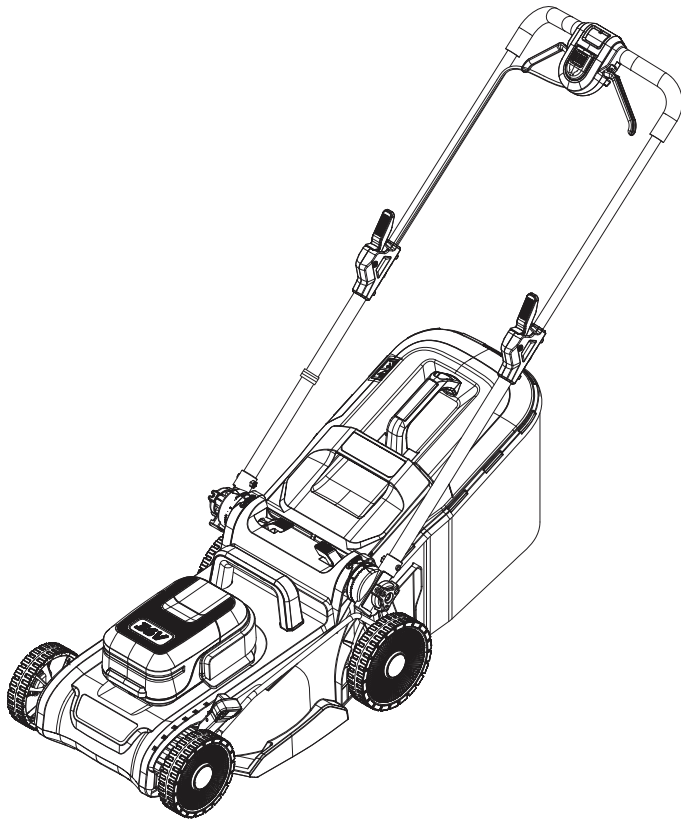
Kingfisher International Products B.V.,
Rapenburgerstraat 175E,
1011 VM Amsterdam,
The Netherlands

EN www.diy.com

www.screwfix.com

www.screwfix.ie

**To view instruction manuals online,
visit www.kingfisher.com/products**



FR Tondeuse à gazon
36 V 38 cm

FR NOTICE ORIGINALE

IMPORTANT - Ces consignes concernent votre sécurité.
Merci de les lire attentivement avant de manipuler le produit et de les conserver pour référence.

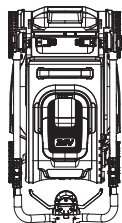


V10925_5063022637161_MAND4_2425_RP0506D

MCT1191LWM
5063022637161
5063022636959
5063022638076

TTT1192LWM
5063022637727
5063022637062
5063022637567

FR Pièces



01. x1



02. x1

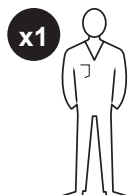


03. x1



04. x1

FR Vous aurez besoin de



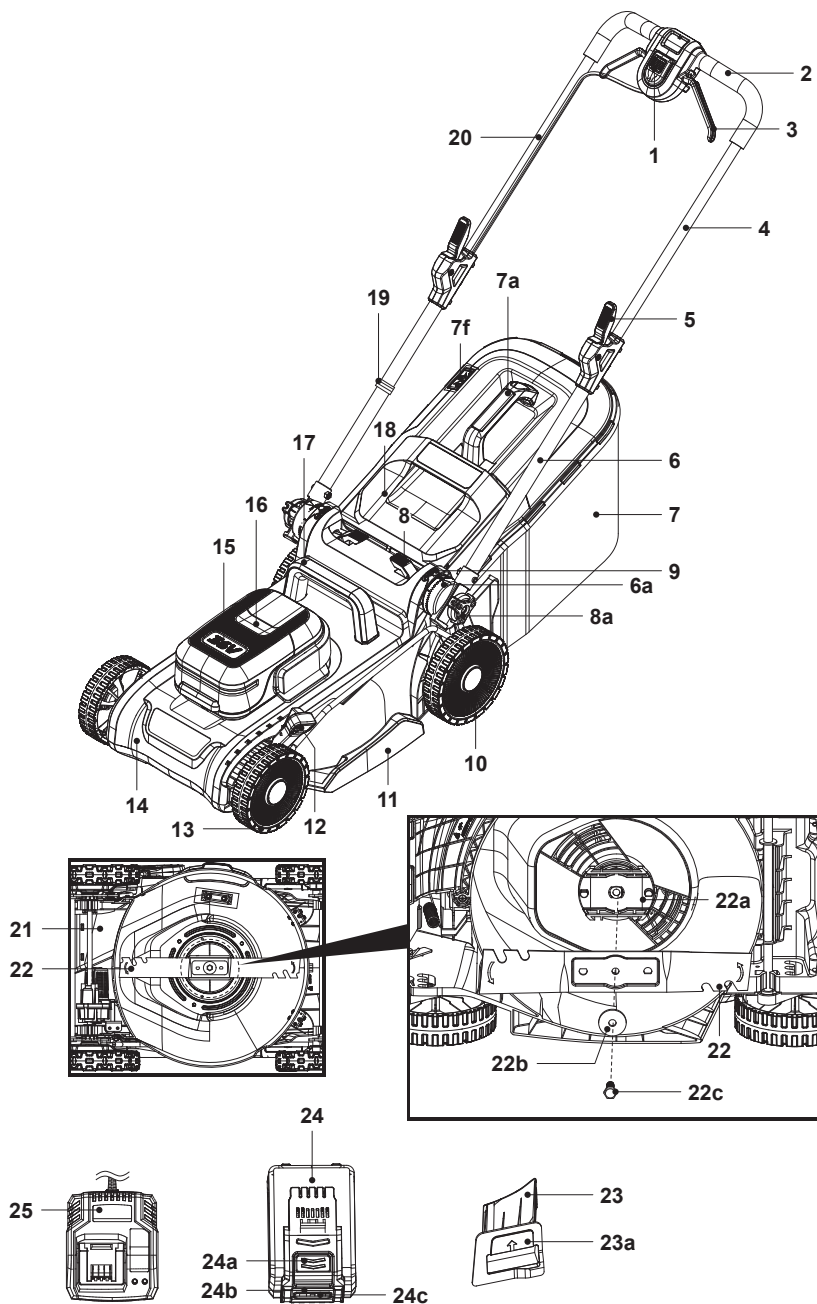
(éléments non fournis)

- Équipement de protection individuelle adapté
- Clé adaptée
- Huile de lubrification adaptée
- Batterie (24) pour les EAN 5063022638076 et 5063022637567
- Chargeur (25) pour les EAN 5063022638076 et 5063022637567

FR Table des matières

FR	
Description du produit	3
Sécurité	5
Préparation	23
Montage	24
Fonctions et réglages	28
Utilisation	32
Entretien et maintenance	36
Garantie	42
Déclaration de conformité	44

FR Description du produit



1. Interrupteur de sécurité
2. Guidon
3. Leviers de démarrage (x2)
4. Guidon supérieur
5. Leviers de verrouillage (x2)
6. Guidons inférieurs (x2)
 - a. Plaque de réglage
 - b. Triangle de repère*
7. Bac de ramassage
 - a. Poignée de transport
 - b. Clips en caoutchouc* (x3)
 - c. Tige de support*
 - d. Crochets de bac de ramassage* (x2)
 - e. Poignée arrière*
 - f. Trappe
8. Leviers de serrage (x2)
 - a. Bouton de serrage
9. Supports de guidon (x2)
 - a. Indicateur de stationnement*
 - b. Indicateur de hauteur élevée de guidon*
 - c. Indicateur de faible hauteur de guidon*
10. Roues arrière (x2)
11. Compartiment de la lame de coupe
12. Levier de réglage de la hauteur de coupe
 - a. Bouton de verrouillage*
13. Roues avant (x2)
14. Poignée de transport avant
15. Couvercle du compartiment de la batterie
 - a. Contacts électriques*
 - b. Glissières* (x2)
 - c. Couvercle magnétique*
16. Capot du moteur
 - a. Indicateur de batterie*
 - b. Ouvertures d'aération*
17. Poignée de transport
18. Déflexeur arrière
19. Serre-câbles (dont 1 prémonté, x2)
20. Cordon de commande
21. Goulotte d'éjection arrière
 - a. Encoches* (x2)
22. Lame de coupe
 - a. Support de lame
 - b. Rondelle plate
 - c. Boulon de fixation
23. Obturateur mulching
 - a. Poignée encastrée
24. Batterie
 - a. Bouton de déverrouillage
 - b. Bouton de capacité de la batterie
 - c. Indicateurs de capacité de la batterie
25. Chargeur



REMARQUE : Les pièces marquées d'une * ne sont pas affichées dans cette vue d'ensemble. Se reporter à la section correspondante dans le manuel d'instructions.



REMARQUE : Pour les EAN 5063022638076 et 5063022637567, la batterie (24) et le chargeur (25) ne sont pas fournis. Il convient de les acheter séparément.



Avertissements de sécurité généraux concernant la machine



AVERTISSEMENT ! LIRE TOUS LES AVERTISSEMENTS DE SÉCURITÉ, LES INSTRUCTIONS, LES ILLUSTRATIONS ET LES SPÉCIFICATIONS FOURNIS AVEC CETTE MACHINE. NE PAS SUIVRE LES INSTRUCTIONS ENUMERÉES CI-DESSOUS PEUT PROVOQUER UN CHOC ÉLECTRIQUE, UN INCENDIE ET/OU UNE BLESSURE SÉRIEUSE.

CONSERVER TOUS LES AVERTISSEMENTS ET TOUTES LES INSTRUCTIONS POUR POUVOIR S'Y REPORTER ULTÉRIEUREMENT.

LE TERME « MACHINE » DANS LES AVERTISSEMENTS FAIT RÉFÉRENCE À VOTRE MACHINE ALIMENTÉE PAR LE SECTEUR (AVEC CORDON D'ALIMENTATION) OU VOTRE MACHINE FONCTIONNANT SUR BATTERIE (SANS CORDON D'ALIMENTATION).

Sécurité de la zone de travail

- **Conserver la zone de travail propre et bien éclairée.** Les zones en désordre ou sombres sont propices aux accidents.
- **Ne pas faire fonctionner les machines en atmosphère explosive, par exemple en présence de liquides inflammables, de gaz ou de poussières.** Les machines produisent des étincelles qui peuvent enflammer les poussières ou les fumées.
- **Maintenir les enfants et les personnes présentes à l'écart pendant l'utilisation de la machine.** Les distractions peuvent vous faire perdre le contrôle de la machine.

Sécurité électrique

- **Il faut que les fiches de la machine soient adaptées au socle. Ne jamais modifier la fiche de quelque façon que ce soit. Ne pas utiliser d'adaptateurs avec des machines à branchement de terre.** Des fiches non modifiées et des socles adaptés réduisent le risque de choc électrique.
- **Éviter tout contact du corps avec des surfaces reliées à la terre telles que les tuyaux, les radiateurs, les cuisinières et les réfrigérateurs.** Il existe un risque accru de choc électrique si votre corps est relié à la terre.
- **Ne pas exposer les machines à la pluie ou à des conditions humides.** La pénétration d'eau à l'intérieur d'une machine augmente le risque de choc électrique.
- **Ne pas maltraiter le cordon. Ne jamais utiliser le cordon pour porter, tirer ou débrancher la machine. Maintenir le cordon à l'écart de la chaleur, du lubrifiant, des arêtes vives ou des parties en mouvement.** Des cordons endommagés ou emmêlés augmentent le risque de choc électrique.
- **Lorsqu'on utilise une machine à l'extérieur, utiliser un prolongateur adapté à l'utilisation extérieure.** L'utilisation d'un cordon adapté à l'utilisation extérieure réduit le risque de choc électrique.
- **Si l'usage d'une machine dans un emplacement humide est inévitable, utiliser une alimentation protégée par un dispositif à courant différentiel résiduel (RCD).** L'usage d'un RCD réduit le risque de choc électrique.

Sécurité des personnes

- **Rester vigilant, regarder ce que vous êtes en train de faire et faire preuve de bon sens dans votre utilisation de la machine. Ne pas utiliser une machine lorsque vous êtes fatigué ou sous l'emprise de drogues, de l'alcool ou de médicaments.** Un moment d'inattention en cours d'utilisation d'une machine peut entraîner des blessures graves.

- **Utiliser un équipement de protection individuelle. Toujours porter une protection pour les yeux.** Les équipements de protection individuelle tels que les masques contre les poussières, les chaussures de sécurité antidérapantes, les casques ou les protections auditives utilisés pour les conditions appropriées réduisent les blessures.
- **Éviter tout démarrage intempestif. S'assurer que l'interrupteur est en position arrêt avant de brancher la machine au secteur et/ou au bloc de batteries, de la ramasser ou de la porter.** Porter les machines en ayant le doigt sur l'interrupteur ou brancher des machines dont l'interrupteur est en position marche est source d'accidents.
- **Retirer toute clé de réglage avant de mettre la machine en marche.** Une clé laissée fixée sur une partie tournante de la machine peut donner lieu à des blessures.
- **Ne pas se précipiter. Garder une position et un équilibre adaptés à tout moment.** Cela permet un meilleur contrôle de la machine dans des situations inattendues.
- **S'habiller de manière adaptée. Ne pas porter de vêtements amples ou de bijoux. Garder les cheveux et les vêtements à distance des parties en mouvement.** Des vêtements amples, des bijoux ou les cheveux longs peuvent être pris dans des parties en mouvement.
- **Si des dispositifs sont fournis pour le raccordement d'équipements pour l'extraction et la récupération des poussières, s'assurer qu'ils sont connectés et correctement utilisés.** Utiliser des collecteurs de poussière peut réduire les risques dus aux poussières.
- **Rester vigilant et ne pas négliger les principes de sécurité de la machine sous prétexte que vous avez l'habitude de l'utiliser.** Une fraction de seconde d'inattention peut provoquer une blessure grave.

Utilisation et entretien de la machine

- **Ne pas forcer la machine. Utiliser la machine adaptée à votre application.** La machine adaptée réalise mieux le travail et de manière plus sûre au régime pour lequel elle a été construite.
- **Ne pas utiliser la machine si l'interrupteur ne permet pas de passer de l'état de marche à arrêt et inversement.** Toute machine qui ne peut pas être commandée par l'interrupteur est dangereuse et il faut la réparer.
- **Débrancher la fiche de la source d'alimentation et/ou enlever le bloc de batteries, s'il est amovible, avant tout réglage, changement d'accessoires ou avant de ranger la machine.** De telles mesures de sécurité préventives réduisent le risque de démarrage accidentel de la machine.
- **Conserver les machines à l'arrêt hors de la portée des enfants et ne pas permettre à des personnes ne connaissant pas la machine ou les présentes instructions de la faire fonctionner.** Les machines sont dangereuses entre les mains d'utilisateurs novices.
- **Observer la maintenance des machines et des accessoires. Vérifier qu'il n'y a pas de mauvais alignement ou de blocage des parties mobiles, des pièces cassées ou toute autre condition pouvant affecter le fonctionnement de la machine. En cas de dommages, faire réparer la machine avant de l'utiliser.** De nombreux accidents sont dus à des machines mal entretenues.
- **Garder affûtés et propres les machines permettant de couper.** Des machines destinées à couper correctement entretenues avec des pièces coupantes tranchantes sont moins susceptibles de bloquer et sont plus faciles à contrôler.
- **Utiliser la machine, les accessoires et les lames etc., conformément à ces instructions, en tenant compte des conditions de travail et du travail à réaliser.** L'utilisation de la machine pour des opérations différentes de celles prévues peut donner lieu à des situations dangereuses.

- **Il faut que les poignées et les surfaces de préhension restent sèches, propres et dépourvues d'huiles et de graisses.** Des poignées et des surfaces de préhension glissantes rendent impossibles la manipulation et le contrôle en toute sécurité de la machine dans les situations inattendues.

Utilisation des machines fonctionnant sur batteries et précautions d'emploi

- **Ne recharger qu'avec le chargeur spécifié par le fabricant.** Un chargeur qui est adapté à un type de bloc de batteries peut créer un risque de feu lorsqu'il est utilisé avec un autre type de bloc de batteries.
- **N'utiliser les machines qu'avec des blocs de batteries spécifiquement désignés.** L'utilisation de tout autre bloc de batteries peut créer un risque de blessure et de feu.
- **Lorsqu'un bloc de batteries n'est pas utilisé, le maintenir à l'écart de tout autre objet métallique, par exemple trombones, pièces de monnaie, clés, clous, vis ou autres objets de petite taille qui peuvent donner lieu à une connexion d'une borne à une autre.** Le court-circuitage des bornes d'une batterie entre elles peut causer des brûlures ou un feu.
- **Dans de mauvaises conditions, du liquide peut être éjecté de la batterie ; éviter tout contact. En cas de contact accidentel, nettoyer à l'eau. Si le liquide entre en contact avec les yeux, rechercher en plus une aide médicale.** Le liquide éjecté des batteries peut causer des irritations ou des brûlures.
- **Ne pas utiliser un bloc de batteries ou une machine fonctionnant sur batteries qui a été endommagé ou modifié.** Les batteries endommagées ou modifiées peuvent avoir un comportement imprévisible provoquant un feu, une explosion ou un risque de blessure.
- **Ne pas exposer un bloc de batteries ou ue machine fonctionnant sur batteries au feu ou à une température excessive.** Une exposition au feu ou à une température supérieure à 130 °C peut provoquer une explosion.

- **Suivre toutes les instructions de charge et ne pas charger le bloc de batteries ou la machine fonctionnant sur batteries hors de la plage de températures spécifiée dans les instructions.** Un chargement incorrect ou à des températures hors de la plage spécifiée de températures peut endommager la batterie et augmenter le risque de feu.

Maintenance et entretien

- **Faire entretenir la machine par un réparateur qualifié utilisant uniquement des pièces de rechange identiques.** Cela assure le maintien de la sécurité de la machine.
- **Ne jamais effectuer d'opération d'entretien sur des blocs de batteries endommagés.** Il convient que l'entretien des blocs de batteries ne soit effectué que par le fabricant ou les fournisseurs de service autorisés.

Avertissements de sécurité relatifs à la tondeuse à gazon

- **Ne pas utiliser la tondeuse à gazon par mauvais temps, en particulier en cas de risque de foudre.** Cela réduit le risque d'être frappé par la foudre.
- **Inspecter soigneusement la zone où la tondeuse à gazon doit être utilisée pour y déceler la présence d'animaux sauvages.** Des animaux peuvent être blessés lorsque la tondeuse à gazon est en cours d'utilisation.
- **Inspecter soigneusement la zone où la tondeuse à gazon doit être utilisée et retirer tous les bouts de bois, câbles, pierres, ossements et autres corps étrangers.** Les objets projetés peuvent provoquer des blessures.
- **Avant d'utiliser la tondeuse à gazon, toujours inspecter visuellement la lame et le dispositif de coupe pour vérifier qu'ils ne sont pas usés ou endommagés.** Des pièces usées ou endommagées augmentent le risque de blessures.
- **Vérifier régulièrement le niveau d'usure ou de détérioration du bac de ramassage.** Un bac de ramassage usé ou endommagé peut augmenter le risque de blessures.

- **Maintenir les protections en place. Les protections doivent être en bon état de marche et correctement montées.** Une protection desserrée, endommagée ou ne fonctionnant pas correctement peut entraîner des blessures.
- **Veiller à ce que toutes les entrées d'air de refroidissement soient exemptes de débris.** Des entrées d'air obstruées et des débris peuvent entraîner une surchauffe ou un risque d'incendie.
- **Lors de l'utilisation de la tondeuse à gazon, toujours porter des chaussures de sécurité antidérapantes. Ne pas utiliser la tondeuse à gazon les pieds nus ou avec des sandales ouvertes.** Cette précaution réduit le risque de blessures aux pieds en cas de contact avec la lame en mouvement.
- **Pendant l'utilisation de la tondeuse à gazon, toujours porter des pantalons longs.** Une exposition de la peau augmente le risque de blessures par projection d'objets.
- **Ne pas utiliser la tondeuse à gazon sur de l'herbe humide. Marcher, ne jamais courir.** Cela réduit le risque de glissade et de chute pouvant entraîner des blessures.
- **Ne pas utiliser la tondeuse à gazon sur des pentes excessivement raides.** Cela réduit le risque de perte de contrôle, de glissade et de chute pouvant entraîner des blessures.
- **Lors du travail en pente, toujours s'assurer un bon équilibre, toujours travailler en travers de la pente, jamais de haut en bas, et faire preuve d'une extrême prudence lors des changements de direction.** Cela réduit le risque de perte de contrôle, de glissade et de chute pouvant entraîner des blessures.
- **Faire preuve d'une extrême prudence lors de la marche arrière ou en tirant la tondeuse à gazon vers soi. Toujours être attentif à son environnement.** Cela réduit le risque de trébuchement pendant le fonctionnement.
- **Ne pas toucher les lames ni autres pièces mobiles dangereuses lorsqu'elles sont en mouvement.** Cela réduit le risque de blessures causées par les pièces mobiles.

- **Lors de l'élimination des matières coincées ou du nettoyage de la tondeuse à gazon, s'assurer que tous les interrupteurs d'alimentation sont éteints et que la batterie est débranchée.** Un fonctionnement inattendu de la tondeuse à gazon peut entraîner des blessures graves.

Consignes de sécurité supplémentaires concernant la tondeuse à gazon

Consignes

- Lire attentivement les instructions. Se familiariser avec les commandes et l'utilisation correcte du produit.
- Ne jamais laisser des enfants ou des personnes ayant des capacités physiques, sensorielles ou mentales réduites, qui manquent d'expérience et de connaissances, ou qui n'ont pas pris connaissance des présentes instructions utiliser le produit. Les réglementations locales peuvent restreindre l'âge de l'utilisateur.
- Les enfants doivent être surveillés afin de s'assurer qu'ils ne jouent pas avec le produit.
- Le nettoyage et l'entretien par l'utilisateur ne doivent pas être effectués par des enfants sans surveillance.
- Ne jamais tondre lorsque des personnes, en particulier des enfants, ou des animaux sont à proximité.
- Garder à l'esprit que l'opérateur ou l'utilisateur est responsable des accidents ou dommages causés à d'autres personnes et à leurs biens.

Préparation

- Pendant la tonte, toujours porter des pantalons longs et des chaussures résistantes. Ne pas utiliser le produit les pieds nus ou avec des sandales ouvertes. Éviter de porter des vêtements amples ou qui possèdent des cordons ou attaches qui dépassent.
- Inspecter soigneusement la zone où le produit doit être utilisé et enlever tous les objets pouvant être projetés par le produit.

- Avant toute utilisation, toujours inspecter visuellement la lame de coupe, les boulons de la lame de coupe et le dispositif de coupe pour s'assurer qu'ils ne sont ni usés ni endommagés. Remplacer les lames de coupe et les boulons usés ou endommagés par ensemble pour préserver l'équilibre. Remplacer les étiquettes abîmées ou illisibles.



ATTENTION ! NE PAS TOUCHER UNE LAME DE COUPE EN ROTATION.

Fonctionnement

- Utiliser le produit uniquement à la lumière du jour ou avec un bon éclairage artificiel.
- Dans la mesure du possible, éviter d'utiliser le produit sur de l'herbe humide.
- Toujours s'assurer un bon équilibre sur les terrains en pente.
- Marcher, ne jamais courir.
- Tondre en faisant face à la pente, jamais de haut en bas.
- Faire preuve d'une extrême prudence lors des changements de direction sur les terrains en pente.
- Ne pas tondre sur des pentes excessivement raides.
- Faire preuve d'une extrême prudence lors de la marche arrière ou en tirant le produit vers soi.
- Arrêter les lames de coupe si le produit doit être incliné pour le transport lors du franchissement de surfaces autres que de l'herbe et lors du transport du produit vers et depuis la zone à tondre.
- Ne jamais utiliser le produit avec des protections défectueuses, ou sans dispositifs de sécurité, tels que des déflecteurs et/ou des bacs de ramassage.
- Démarrer le produit avec précaution conformément aux instructions et en veillant à ce que les pieds ne se trouvent pas à proximité des lames de coupe.
- Ne pas incliner le produit lors du démarrage du moteur, sauf si le produit doit être incliné pour démarrer. Dans ce cas, ne pas l'incliner plus que nécessaire et soulever uniquement la partie éloignée de l'utilisateur.

- Ne pas démarrer le produit lorsque l'on se tient devant la goulotte d'éjection.
- Éloigner les mains et les pieds des pièces rotatives. Rester constamment à l'écart de l'ouverture d'éjection.
- Ne pas transporter le produit lorsque la batterie est insérée.
- Arrêter le produit et retirer la batterie. S'assurer que toutes les pièces mobiles sont complètement à l'arrêt :
 - avant de laisser le produit sans surveillance ;
 - avant de retirer les éléments obstrués de la machine ou de déboucher la goulotte ;
 - avant de contrôler, de nettoyer ou d'intervenir sur le produit ;
 - après avoir heurté un corps étranger. Inspecter le produit à la recherche de dommages et effectuer les réparations nécessaires avant de redémarrer et d'utiliser à nouveau le produit.
- Si le produit commence à vibrer de façon anormale (vérifier immédiatement)
 - vérifier si le produit est endommagé ;
 - remplacer ou réparer toute pièce endommagée ;
 - vérifier si des pièces sont desserrées et les resserrer si nécessaire.

Entretien et rangement

- Retirer la batterie avant de contrôler, de nettoyer le produit ou d'intervenir sur celui-ci et lorsqu'il n'est pas utilisé.
- Retirer la batterie avant d'effectuer des travaux d'entretien ou de nettoyage.
- Un entretien incorrect peut entraîner un dysfonctionnement / une défaillance du produit.
- Inspecter et entretenir le produit régulièrement. Les écrous, boulons et vis doivent toujours être bien serrés afin de s'assurer que le produit peut fonctionner en toute sécurité.
- Vérifier régulièrement le niveau d'usure ou de détérioration du bac de ramassage.

- Faire preuve de prudence lors du réglage du produit pour éviter de se coincer les doigts entre les lames en mouvement et les pièces fixes du produit.
- Toujours laisser le produit refroidir avant de le ranger.
- Lors de l'entretien des lames, bien garder à l'esprit que, même si la source d'alimentation est coupée, les lames peuvent toujours bouger.
- Pour pouvoir utiliser le produit en toute sécurité, remplacer toute pièce usée ou endommagée. Utiliser uniquement des pièces de rechange et des accessoires d'origine.
- Porter des gants de travail résistants lors du démontage et du remontage de la lame de coupe.
- Faire réparer le produit uniquement par un centre de réparation agréé ou un spécialiste aux qualifications similaires.
- Lorsque le produit n'est pas utilisé, le ranger hors de portée des enfants.

Avertissements de sécurité supplémentaires relatifs à la batterie

- **La batterie doit être chargée avant utilisation.** Toujours se reporter aux instructions du chargeur et charger la batterie correctement.
- **Retirer la batterie du produit en l'absence d'utilisation.**
- **Ne pas laisser la batterie sur le chargeur lorsqu'il n'est pas utilisé.**
- **Après de longues périodes de rangement, il peut être nécessaire de charger et de décharger la batterie plusieurs fois afin d'obtenir des performances maximales.**
- **Une plus longue durée de vie et de meilleures performances peuvent être obtenues si la batterie est chargée lorsque la température ambiante est comprise entre 18 °C et 24 °C.** Ne pas charger la batterie à des températures ambiantes inférieures à 5 °C ou supérieures à 40 °C. Cela est important pour éviter d'endommager gravement la batterie.

- **Ne pas charger la batterie dans un endroit humide ou mouillé.** Le respect de cette règle réduit le risque de choc électrique.
- **Ne pas démonter la batterie et éviter tout dommage mécanique. Risque de court-circuit et d'émission de fumées.** Respirer de l'air frais et consulter un médecin en cas de gêne.
- **Lors de la mise au rebut des batteries, conserver les batteries ayant différents systèmes électrochimiques séparées les unes des autres.**
- Ne pas connecter la borne positive et la borne négative de la batterie l'une à l'autre avec un objet métallique (tel qu'un fil).
- Ne pas transporter ni ranger la batterie avec des colliers, des épingles à cheveux ou tout autre objet métallique.
- Ne pas percer la batterie avec des clous, ne pas la frapper avec un marteau, ne pas marcher dessus ni la soumettre à des impacts ou des chocs violents.
- Ne pas souder directement sur la batterie.
- Ne pas exposer la batterie à de l'eau ou de l'eau salée et ne pas la mouiller.
- Ne pas démonter ni modifier la batterie.
- Ne pas placer la batterie dans ou près d'un feu, sur une cuisinière ou dans tout autre endroit où la température est élevée. Ne pas exposer la batterie à la lumière directe du soleil, ne pas l'utiliser ou la ranger à l'intérieur d'une voiture par temps chaud.
- Ne pas placer la batterie dans un four à micro-ondes, dans un contenant à haute pression ou sur un appareil de cuisson par induction.
- Si la batterie ne doit pas être utilisée pendant une certaine période, la stocker à température ambiante (19 °C à 25 °C) après l'avoir chargée jusqu'à ce que 3 barres soient allumées sur l'indicateur de charge. En cas de rangement prolongé, recharger la batterie une fois par an pour éviter une décharge excessive.

Surveillance médicale

Tous les employés doivent suivre un programme de surveillance médicale de l'employeur pour permettre d'identifier à un stade précoce les éventuelles affections liées aux vibrations, et ainsi empêcher l'évolution de la maladie et aider les employés à poursuivre leur travail.

Réduction du bruit et des vibrations

Pour réduire l'impact des émissions sonores et des vibrations, limiter le temps d'utilisation, utiliser les modes de fonctionnement à faibles vibrations et silencieux, et porter un équipement de protection individuelle.

Prendre les points suivants en compte pour réduire les risques d'exposition aux vibrations et au bruit :

- Toujours utiliser le produit conformément à l'usage pour lequel il a été conçu et conformément à ces instructions.
- S'assurer que le produit est en bon état et bien entretenu.
- Utiliser les accessoires appropriés pour le produit et s'assurer qu'ils sont en bon état.
- Tenir fermement les guidons / la surface de préhension.
- Entretenir ce produit conformément aux présentes instructions et assurer une bonne lubrification (le cas échéant).
- Organiser un emploi du temps pour répartir l'utilisation d'une machine à fortes vibrations sur une période prolongée.
- Une utilisation prolongée du produit expose l'utilisateur à des vibrations pouvant causer une série de troubles physiques connus sous le nom de maladie des vibrations (HAVS) (par exemple les doigts deviennent blancs), de même que certaines maladies telles que le syndrome du canal carpien. Pour réduire ce risque lors de l'utilisation du produit, toujours porter des gants de protection et garder les mains au chaud.

En cas d'urgence

Se familiariser avec l'utilisation de ce produit à l'aide de ce manuel d'instructions. Mémoriser les consignes de sécurité et les suivre à la lettre. Cela aidera à prévenir les risques et dangers.

- **Toujours rester vigilant lors de l'utilisation de cette machine, de façon à reconnaître et à gérer rapidement les risques.** Une intervention rapide permet d'éviter des blessures graves et des dégâts matériels.
- **En cas de dysfonctionnement, éteindre la machine et retirer la batterie.** Faire vérifier le produit par un professionnel qualifié et le faire réparer, si nécessaire, avant de le faire fonctionner à nouveau.

Risques résiduels

Même si ce produit est utilisé conformément à toutes les exigences de sécurité, des risques de blessures et de dégâts demeurent. Les dangers suivants peuvent survenir en relation avec la structure et la conception de ce produit :

- Problèmes de santé découlant de l'émission de vibrations si le produit est utilisé pendant de longues périodes ou s'il n'est pas utilisé ni entretenu correctement.
- Blessures et dommages matériels dus à des outils cassés ou à l'impact soudain d'objets cachés pendant l'utilisation.
- Risque de blessures et de dommages matériels causés par des projections d'objets ou par l'utilisation d'accessoires inadaptés.



AVERTISSEMENT ! CE PRODUIT GÉNÈRE UN CHAMP ÉLECTROMAGNÉTIQUE DURANT LE FONCTIONNEMENT ! CE CHAMP PEUT DANS CERTAINS CAS NUIRE À DES IMPLANTS MÉDICAUX ACTIFS OU PASSIFS ! POUR RÉDUIRE LE RISQUE DE BLESSURES GRAVES, VOIRE MORTELLES, NOUS RECOMMANDONS AUX PERSONNES AYANT DES IMPLANTS MÉDICAUX DE CONSULTER LEUR MÉDECIN ET LE FABRICANT DE L'IMPLANT MÉDICAL AVANT D'UTILISER CE PRODUIT !

Symboles

Sur le produit, sur la plaque signalétique et dans les présentes instructions, se trouvent entre autres les symboles et abréviations suivants. Se familiariser avec ceux-ci afin de réduire les risques de blessures et de dommages matériels.

V	Volt (tension continue)	mAh	Milliampère-heure
/min ou min ⁻¹	Par minute	°C	Degré Celsius
n ₀	Vitesse à vide	L	Litre
g	Gramme	kg	Kilogramme
mm	Millimètre	cm	Centimètre
m	Mètre	A	Ampère
dB(A)	Décibel (pondéré A)	m/s ²	Mètres par seconde carrée
	Verrouiller / serrer ou fixer.		Déverrouiller / desserrer.
	Lire le manuel d'instructions.		Remarque.
			Attention / Avertissement.
yyWxx	Code de date de fabrication : année de fabrication (20yy) et semaine de fabrication (Wxx).		
IPX1	Protection contre les chutes verticales de gouttes d'eau.		



Toujours porter un casque antibruit.



Toujours porter des lunettes de protection.



Porter un masque antipoussière.



Porter des gants de protection.



Porter des chaussures de sécurité antidérapantes.



Porter des vêtements de protection ajustés.



AVERTISSEMENT - Retirer le dispositif de désactivation avant l'entretien !

Éteindre la machine et retirer la batterie avant de procéder au montage, au nettoyage, aux réglages, à l'entretien, au rangement et au transport.



AVERTISSEMENT - Débrancher la batterie avant l'entretien !



Cette machine appartient à la classe de protection III.



Ne pas exposer le produit à la pluie ou à des conditions d'humidité.



Tondre en faisant face à la pente, jamais de haut en bas.



Inspecter la zone où le produit doit être utilisé et enlever tous les objets pouvant être projetés par le produit. En cas de détection d'objets cachés pendant le fonctionnement, arrêter le moteur et retirer les objets.



AVERTISSEMENT - Attention aux objets projetés - Tenir les personnes à l'écart !

Des objets projetés par le produit peuvent heurter l'utilisateur ou les personnes présentes. Toujours s'assurer que les autres personnes et animaux domestiques restent à une distance sûre du produit lorsqu'il est en fonctionnement. En règle générale, les enfants ne doivent pas s'approcher de la zone où se trouve le produit.



AVERTISSEMENT - Maintenir les mains et les pieds à l'écart des lames !

Risque de blessures ! S'assurer que la lame de coupe et toutes les pièces de tonte sont arrêtées avant toute opération de nettoyage, de réparation ou d'inspection.



DANGER - Garder les mains et les pieds éloignés !



La lame de coupe continue de tourner après l'arrêt du produit. Attendre l'arrêt complet de tous les composants de la machine avant de toucher le produit.



Faire preuve d'une extrême prudence lors des interventions sur la lame de coupe !



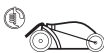
Le bac de ramassage est prêt pour la collecte de l'herbe.



Le bac de ramassage est plein, le vider.



Ne pas ouvrir le déflecteur arrière lorsque le moteur tourne.



Toujours maintenir le déflecteur arrière fermé lorsque le moteur tourne.



Niveau de puissance acoustique garanti : 88 dB(A).



Symbole DEEE. Les produits électriques usagés ne doivent pas être mis au rebut avec les déchets ménagers. Recycler le produit si des installations sont prévues à cet effet. Se renseigner auprès des autorités locales ou du magasin pour plus d'informations sur le recyclage.



Poubelle barrée. Les piles et les batteries ne doivent pas être jetées avec les déchets ménagers. Recycler le produit si des installations sont prévues à cet effet. Se renseigner auprès des autorités locales ou du magasin pour plus d'informations sur le recyclage.



Ne pas jeter les batteries dans les cours d'eau ni les plonger dans l'eau.



Ne pas jeter les batteries au feu. Elles exploseraient et provoqueraient des blessures.



Ne pas exposer les batteries à des températures supérieures à 40 °C.


Ne pas charger ou entreposer la batterie à des températures inférieures à 5 °C (41 °F) ou supérieures à 40 °C (104 °F).




Le produit est conforme aux directives européennes en vigueur et une procédure d'évaluation de la conformité à ces directives a été effectuée.

Caractéristiques techniques

Généralités

- > Tension nominale : 36 V 
- > Vitesse nominale à vide n_0 : 3200 min⁻¹
- > Largeur de coupe : 38 cm
- > Plage de hauteur de coupe : 25 - 75 mm, 6 niveaux
- > Volume du bac de ramassage : 45 L
- > Classe de protection : Fonctionne sur batterie
- > Indice de protection : IPX1
- > Taille des roues : Ø 160 x 40 mm (roue avant)
Ø 180 x 40 mm (roue arrière)
- > Poids : env. 16,85 kg
- > Dimensions : env. 134 x 44 x 100 cm

Batterie

- > N° de modèle : MDVB36-4 / TTB812BAT / MCT1239BAT / TTT1240BAT
- > Type : Li-Ion, 10 cellules INR 21700
- > Capacité : 4 / 8 Ah
- > Tension : 36 / 18 V 
- > Poids : env. 1,05 kg

Chargeur de batterie

- > N° de modèle : MFC36 / TTB815CHR / MCB1241CHR / TTB1242CHR
- > Sortie nominale : 21 V , 8 A



REMARQUE : Cette tondeuse à gazon 36 V est utilisée avec la batterie bitension 36 / 18 V, comme sur les modèles ci-dessus.

Plage de température ambiante pour l'utilisation et le rangement des outils et des batteries : 5-40 °C

Plage de température ambiante pour le système de charge pendant la charge : 5-40 °C

Valeurs sonores

- > Niveau de pression acoustique L_{pA} : 78,77 dB(A)
- > Facteur d'incertitude K_{pA} : 3 dB(A)
- > Niveau de puissance acoustique mesuré L_{WA} : 86,92 dB(A)
- > Facteur d'incertitude K_{WA} : 0,63 dB(A)
- > Niveau de puissance acoustique garanti L_{WA}
(selon la directive 2000/14/CE modifiée
par la directive 2005/88/CE) : 88 dB(A)

Valeurs des vibrations

- > Vibrations main-bras $a_{h,w}$: 0,346 m/s²
- > Facteur d'incertitude K : 1,5 m/s²

Les valeurs sonores ont été déterminées conformément au code de test de bruit indiqué dans les normes EN 62841-1, EN CEI 62841-4-3, à l'aide des normes de base EN ISO 3744.

Le niveau d'intensité sonore pour l'utilisateur est susceptible de dépasser 80 dB(A) et un casque antibruit est nécessaire. Les valeurs totales de vibrations et d'émissions sonores déclarées ont été mesurées conformément à une méthode de test standard (EN 62841-1, EN CEI 62841-4-3) et peuvent être utilisées pour comparer une machine avec une autre. Elles peuvent également être utilisées dans le cadre d'une évaluation préliminaire de l'exposition.



AVERTISSEMENT ! LES ÉMISSIONS SONORES ET LES VIBRATIONS LORS DE L'UTILISATION RÉELLE DE LA MACHINE PEUVENT DIFFÉRER DE LA VALEUR TOTALE DÉCLARÉE SELON LA MANIÈRE DONT LA MACHINE EST UTILISÉE, EN PARTICULIER EN FONCTION DU TYPE DE MATÉRIAU TRAITÉ.

IL EST NÉCESSAIRE D'IDENTIFIER DES MESURES DE SÉCURITÉ POUR PROTÉGER L'OPÉRATEUR BASÉES SUR UNE ESTIMATION DE L'EXPOSITION DANS LES CONDITIONS RÉELLES D'UTILISATION (EN TENANT COMPTE DE TOUTES LES PARTIES DU CYCLE DE FONCTIONNEMENT, TELLES QUE LES MOMENTS OÙ LA MACHINE EST ÉTEINTE ET LORSQU'ELLE TOURNE AU RALENTI, EN PLUS DE LA DURÉE D'ACTIVATION).

Explication de la plaque signalétique

Tondeuse à gazon : MCT1191LWM
MCT = MAC Allister (nom de la marque)
1191 = Code séquentiel
LWM = Tondeuse à gazon

Tondeuse à gazon : TTT1192LWM
TTT = TITAN (nom de la marque)
1192 = Code séquentiel
LWM = Tondeuse à gazon

FR Préparation

Déballage



REMARQUE : La machine est lourde. Demander l'assistance d'une autre personne si nécessaire.

1. Déballer tous les éléments et les poser sur une surface plane et stable.
2. Retirer tous les matériaux d'emballage et dispositifs d'expédition, le cas échéant.
3. S'assurer que les éléments livrés sont complets et exempts de tout dommage. S'il s'avère que certaines pièces sont manquantes ou endommagées, ne pas utiliser la machine et contacter le revendeur. L'utilisation d'un produit endommagé ou incomplet représente un danger pour les personnes et le matériel.
4. S'assurer de disposer de tous les accessoires et outils nécessaires au montage et à l'utilisation de la machine. Cela inclut également un équipement de protection individuelle adapté.



AVERTISSEMENT ! LA MACHINE ET L'EMBALLAGE NE SONT PAS DES JOUETS POUR ENFANTS ! LES ENFANTS NE DOIVENT PAS JOUER AVEC LES SACS ET LES FILMS EN PLASTIQUE, NI AVEC LES PETITES PIÈCES ! IL EXISTE UN DANGER D'ÉTOUFFEMENT ET DE SUFFOCATION !

Vous aurez besoin de

(éléments non fournis)

Équipement de protection individuelle adapté
Clé adaptée
Huile de lubrification adaptée
Batterie (24) pour les EAN 5063022638076 et 5063022637567
Chargeur (25) pour les EAN 5063022638076 et 5063022637567

(éléments fournis)

Bac de ramassage (7)
Lame de coupe (22)
Obturbateur mulching (23)



REMARQUE : Les accessoires requis dépendent de l'application prévue.
Demander conseil au revendeur.

FR Montage



AVERTISSEMENT ! MONTER ENTièrement LA MACHINE AVANT TOUTE UTILISATION !



NE PAS UTILISER UNE MACHINE QUI N'EST QUE PARTIELLEMENT MONTÉE OU MONTÉE AVEC DES PIÈCES ENDOMMAGÉES !



PORTER DES GANTS DE PROTECTION ET TOUJOURS POSER LA MACHINE SUR UNE SURFACE PLANE ET STABLE PENDANT LE MONTAGE.

SUIVRE LES INSTRUCTIONS DE MONTAGE ÉTAPE PAR ÉTAPE ET SE SERVIR DES IMAGES FOURNIES COMME GUIDE VISUEL POUR ASSEMBLER LE PRODUIT EN TOUTE SIMPLICITÉ.

AVANT D'UTILISER LA MACHINE, SE FAMILIARISER AVEC LES CARACTÉRISTIQUES DE FONCTIONNEMENT, LIRE L'INTÉGRALITÉ DU MANUEL D'INSTRUCTIONS EN PRÉTANT UNE ATTENTION PARTICULIÈRE AUX RÈGLES DE SÉCURITÉ ET AUX PROCÉDURES DE FONCTIONNEMENT.

NE PAS CONNECTER LA MACHINE À LA BATTERIE (24) AVANT DE L'AVOIR COMPLÈTEMENT MONTÉE !



REMARQUE : Faire attention aux petites pièces qui sont retirées durant l'assemblage ou les réglages. Les conserver en lieu sûr pour éviter toute perte.

Si nécessaire, demander de l'aide à une autre personne lors de l'assemblage de la machine.

Assemblage du guidon

1. Placer la machine sur un sol plat et régulier.
2. Desserrer les deux boutons de serrage (8a) dans le sens antihoraire sur les guidons inférieurs (6), sans les retirer (Fig. 1, étape 1).
3. Tenir le guidon (2) d'une main et déplier l'ensemble de guidon (4, 6) (Fig. 1, étape 2).
4. Aligner le triangle de repère (6b) de la plaque de réglage (6a) sur l'un des indicateurs de hauteur de guidon (9b/9c) du support de guidon (9), puis fixer l'ensemble de guidon (4, 6) en serrant les boutons de serrage (8a) (Fig. 2).
5. S'assurer que les deux guidons inférieurs (6) sont montés à la même hauteur des deux côtés.
6. S'assurer que le cordon de commande (20) passe sur la partie supérieure du guidon inférieur (6).

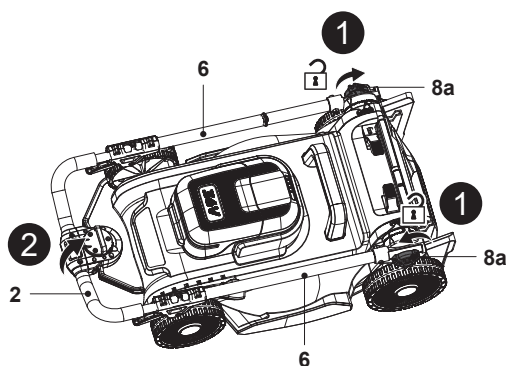


Fig. 1

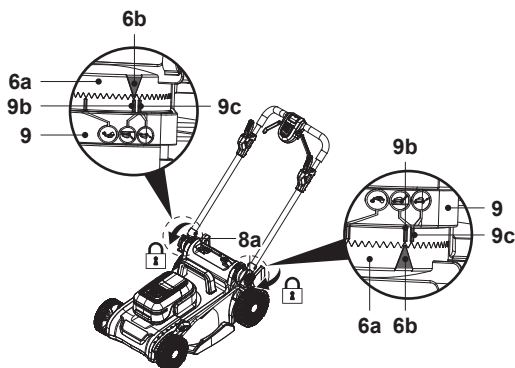


Fig. 2

7. Ouvrir les deux leviers de verrouillage (5), puis saisir le guidon (2) et tirer progressivement le guidon supérieur (4) jusqu'en butée (Fig. 3, étapes 1, 2).



AVERTISSEMENT ! TIRER OU POUSSER DOUCEMENT LE GUIDON SUPÉRIEUR (4). NE PAS FORCER !



REMARQUE : Utiliser uniquement la tondeuse à gazon avec le guidon supérieur (4) complètement tiré vers l'extérieur ! Ne pas l'utiliser avec le guidon supérieur (4) fixé en position intermédiaire.

8. Fermer les deux leviers de verrouillage (5) et vérifier que le guidon supérieur (5) est bien fixé (Fig. 3, étape 3).

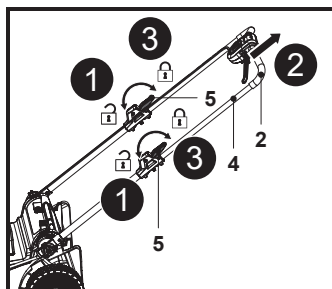


Fig. 3



AVERTISSEMENT ! S'ASSURER QUE LES DEUX LEVIERS DE VERROUILLAGE (5) SONT FIXÉS CORRECTEMENT AVANT D'UTILISER LA MACHINE.

- Fixer le cordon de commande (20) dans les serre-câbles (19) qui peuvent être préinstallés sur le guidon inférieur (6) (Fig. 4).

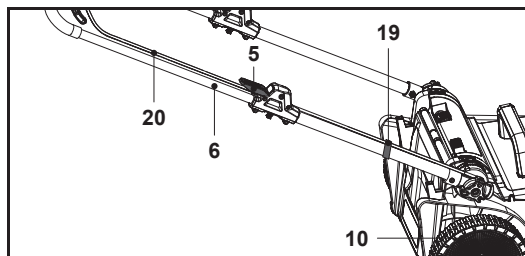


Fig. 4

- Vérifier l'état du cordon de commande (20) et le maintenir à l'écart de la roue arrière (10).

Bac de ramassage

- Attacher les trois clips en caoutchouc (7b) sur la tige de support (7c) du bac de ramassage (7) (Fig. 5).
- Monter la poignée de transport (7a) dans les deux encoches d'assemblage du châssis supérieur du bac de ramassage (7), en veillant à l'orienter correctement (Fig. 6).
- S'assurer que la poignée de transport (7a) est bien en place avant l'utilisation.
- Ouvrir le déflecteur arrière (18) et le maintenir ouvert (Fig. 7, étape 1).
- Transporter le bac de ramassage (7) par sa poignée de transport (7a).

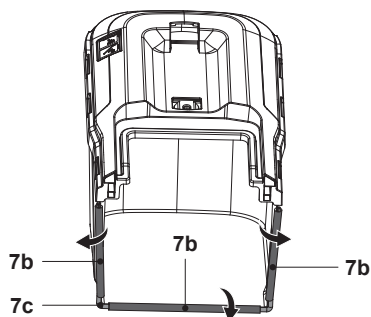


Fig. 5

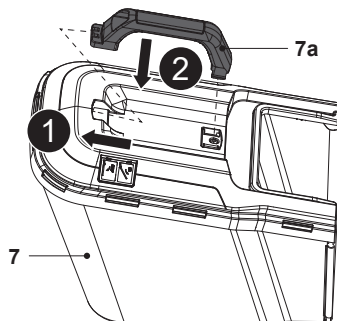


Fig. 6

- Aligner les deux crochets du bac de ramassage (7d) sur les encoches (21a) et y accrocher le bac de ramassage (7) (Fig. 7, étape 2).
- Relâcher ensuite avec précaution le déflecteur arrière (18).

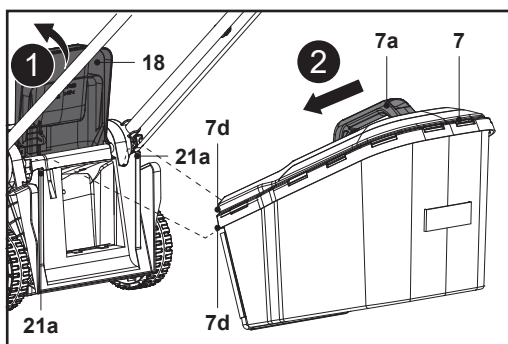


Fig. 7



REMARQUE : Toujours tenir le bac de ramassage (7) par sa poignée de transport (7a). Avant d'accrocher le bac de ramassage (7), vérifier si l'obturateur mulching (23) se trouve dans la goulotte d'éjection arrière (21). Retirer l'obturateur mulching (23) avant d'accrocher le bac de ramassage (7).



REMARQUE : L'obturateur mulching (23) doit être retiré en cas d'utilisation du bac de ramassage (7).

Batterie

Fixation de la batterie

1. Soulever le couvercle magnétique (15c) et ouvrir le couvercle du compartiment de la batterie (15) (Fig. 8, étape 1).
2. Aligner la batterie (24) sur les deux glissières (15b) et faire glisser la batterie (24) pour la fixer (Fig. 8, étape 2).
3. S'assurer que les contacts électriques (15a) sont complètement insérés dans la batterie (24) et qu'ils s'enclenchent.
4. La batterie (24) ne peut être installée que dans un seul sens.
5. Fermer le couvercle du compartiment de la batterie (15) avec précaution.

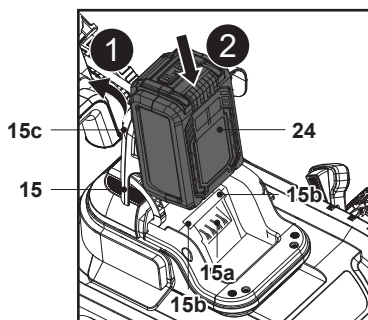


Fig. 8

Retrait de la batterie

La batterie (24) ne peut pas être chargée lorsqu'elle est en place dans la tondeuse à gazon. Retirer la batterie (24) de son compartiment pour la charger.

1. Soulever le couvercle magnétique (15c) et ouvrir le couvercle du compartiment de la batterie (15) (Fig. 9, étape 1).
2. Appuyer sur le bouton de déverrouillage (24a) pour déverrouiller le verrou de la batterie (24) (Fig. 9, étape 2).
3. Faire glisser la batterie (24) hors du compartiment de la batterie (Fig. 9, étape 3).
4. Fermer le couvercle du compartiment de la batterie (15) avec précaution.

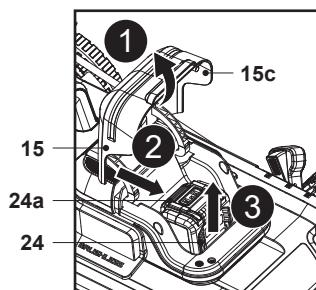


Fig. 9

Charge de la batterie

La batterie (24) a été expédiée avec un faible niveau de charge. La charger entièrement avant la première utilisation. Se reporter à la notice du chargeur pour plus de détails.

Indicateurs de capacité de la batterie

La batterie (24) est équipée d'indicateurs de capacité de la batterie (24c) qui affichent sa capacité restante. Appuyer sur le bouton de capacité de la batterie (24b) pour en vérifier la capacité (Fig. 10). Les LED restent allumées pendant environ 3 secondes.

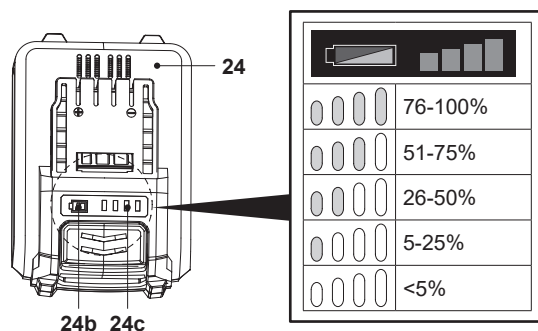


Fig. 10

FR Fonctions et réglages

Utilisation prévue

Cette tondeuse à gazon sans fil présente une tension nominale de 36 V . Elle est conçue pour être utilisée uniquement avec la batterie indiquée dans la section « Caractéristiques techniques ».

Cette machine est conçue pour tondre le gazon dans des jardins privés uniquement. Elle ne doit pas être utilisée pour tondre une pelouse anormalement haute, sèche ou humide (par exemple pâturage) ni pour broyer des feuilles.

Il est interdit d'utiliser cette machine sous la pluie ou dans des environnements humides.

Pour des raisons de sécurité, il est impératif de lire l'intégralité du manuel d'instructions avant toute utilisation et de respecter toutes les consignes qu'il contient.

Cette machine est uniquement destinée à une utilisation domestique privée, et non à des fins commerciales. Elle ne doit pas être utilisée à des fins autres que celles prévues.

Réglage de la hauteur du guidon



AVERTISSEMENT ! ÉTEINDRE LA MACHINE ET RETIRER LA BATTERIE (24). ATTENDRE L'ARRÊT COMPLET DE LA LAME DE COUPE (22) AVANT DE RÉGLER LA HAUTEUR DU GUIDON !



Régler le guidon à une hauteur adaptée à l'opérateur. Deux hauteurs de guidon sont disponibles.

1. Tenir le guidon (4, 6) d'une main.
2. Déplier les deux leviers de serrage (8) de l'autre main, puis faire pivoter l'ensemble de guidon (4, 6) jusqu'à l'autre position de hauteur de guidon (Fig. 11, étapes 1, 2).
3. S'assurer que le triangle de repère (6b) est aligné sur l'indicateur de hauteur de guidon (9b/9c), puis replier les deux leviers de serrage (8) pour fixer l'ensemble de guidon (4, 6) (Fig. 11, étape 3).
4. S'assurer que l'ensemble de guidon (4, 6) est monté à la même hauteur des deux côtés.

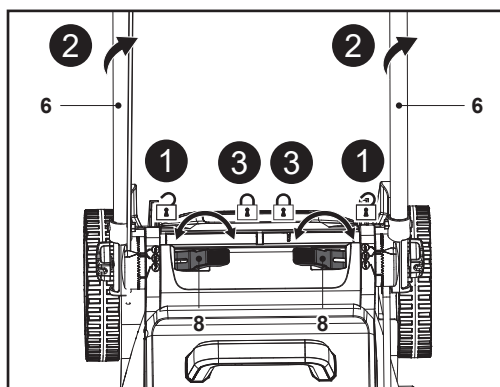


Fig. 11

Réglage de la hauteur de coupe



AVERTISSEMENT ! ÉTEINDRE LA MACHINE ET RETIRER LA BATTERIE (24). ATTENDRE L'ARRÊT COMPLET DE LA LAME DE COUPE (22) AVANT DE RÉGLER LA HAUTEUR DE COUPE !



S'ASSURER QUE LE LEVIER S'ENGAGE ENTRE DEUX CRANS !

POUR LA PREMIÈRE COUPE DE LA SAISON, IL CONVIENT DE CHOISIR UNE HAUTEUR DE COUPE APPROPRIÉE. NE PAS CHOISIR UNE HAUTEUR DE COUPE TROP BASSE SI L'HERBE EST LONGUE ET GRASSE, CAR LE MOTEUR RISQUERAIT DE NE PAS DÉMARRER CORRECTEMENT.

AU MOMENT DE DÉMARRER LA TONDEUSE À GAZON, VÉRIFIER LA HAUTEUR DE L'HERBE. SI L'HERBE EST TROP HAUTE, LA TONDEUSE À GAZON NE DÉMARRE PAS. IL FAUT ALORS AUGMENTER LA HAUTEUR DE COUPE. CETTE FONCTION PERMET D'ÉCONOMISER LE MOTEUR ET DE PROLONGER LA DURÉE DE VIE DES BATTERIES.

Régler la hauteur de coupe en fonction des besoins de la pelouse. La hauteur de coupe dépend du type de pelouse et de sa hauteur. Pour tondre une pelouse haute, commencer à la hauteur de coupe maximale, puis effectuer un second passage à une hauteur de coupe inférieure.

1. Appuyer sur le bouton de verrouillage (12a) et le maintenir dans cette position (Fig. 12, étape 1).
2. Déplacer le levier (12) vers l'avant ou vers l'arrière pour régler la hauteur de coupe (Fig. 12, étape 2).
3. Relâcher le bouton de verrouillage (12a) et s'assurer que le levier (12) s'engage correctement dans l'encoche (Fig. 12, étape 3).

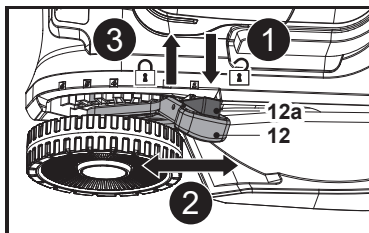


Fig. 12



AVERTISSEMENT ! S'ASSURER QUE LE LEVIER (12) S'ENGAGE DANS L'ENCOCHE APRÈS CHAQUE RÉGLAGE.



REMARQUE : La hauteur de tonte peut être réglée entre 25 mm et 75 mm en 6 étapes.

Les valeurs de hauteur de tonte doivent être utilisées à titre indicatif. En fonction des conditions de la pelouse ou du sol, la hauteur réelle de la pelouse peut différer légèrement de la hauteur définie.

Bac de ramassage



AVERTISSEMENT ! NE JAMAIS UTILISER LA MACHINE SANS LE BAC DE RAMASSAGE (7) POUR RÉCUPÉRER L'HERBE ; CELA PRÉSENTE UN RISQUE DE PROJECTION D'OBJETS !

ÉTEINDRE LA MACHINE ET RETIRER LA BATTERIE (24). ATTENDRE L'ARRÊT COMPLET DE LA LAME DE COUPE (22) AVANT DE RETIRER LE BAC DE RAMASSAGE (7) !

1. Toujours fixer le bac de ramassage (7) lors de l'utilisation de la machine pour récupérer l'herbe coupée, comme indiqué dans la section « Montage - Bac de ramassage ».
2. Toujours tenir le bac de ramassage (7) par sa poignée (7a).

Indicateur

Le bac de ramassage (7) est équipé d'une trappe (7f) qui indique le remplissage pendant le fonctionnement.

1. Tant que la trappe (7f) est ouverte, le bac de ramassage (7) peut encore recueillir de l'herbe (Fig. 13).
2. Lorsque la trappe (7f) est fermée, le bac de ramassage (7) est plein et doit être vidé (Fig. 14).

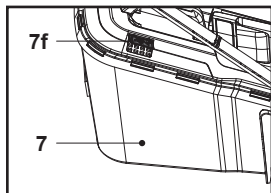


Fig. 13

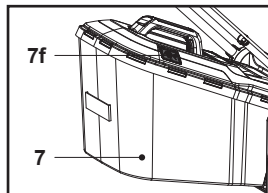


Fig. 14

Vidage



AVERTISSEMENT ! METTRE LA MACHINE HORS TENSION, RETIRER LA BATTERIE (24) ET ATTENDRE L'ARRÊT COMPLET DE LA LAME DE COUPE (22) AVANT DE RETIRER LE BAC DE RAMASSAGE (7) !

Vider régulièrement le bac de ramassage (7) pendant l'utilisation. Ne pas attendre qu'il soit entièrement rempli. Nous recommandons de le vider lorsqu'il est plein à 90% ou s'il y a des traces d'herbe coupée sur la pelouse.



REMARQUE : La machine est moins performante lorsque le bac de ramassage (7) est plein.

1. Soulever le déflecteur arrière (18) et le maintenir en position.
2. Soulever les crochets du bac de ramassage (7d) hors des encoches (21a) et retirer le bac de ramassage (7).
3. Dégager l'herbe coupée contenue dans la goulotte d'éjection arrière (21) vers le bac de ramassage (7). Utiliser un outil approprié tel qu'une brosse.
4. Retirer le bac de ramassage (7) en le saisissant par sa poignée de transport (7a).
5. Vider l'herbe coupée sur un tas de compost en saisissant le bac par les poignées (7a, 7e).
6. Remonter le bac de ramassage (7) sur la machine et s'assurer que les crochets du bac de ramassage (7d) reposent correctement sur les encoches (21a), comme indiqué dans la section « Montage - Bac de ramassage ».



AVERTISSEMENT ! NE JAMAIS DÉGAGER L'HERBE COUPÉE DE LA GOULOTTE D'ÉJECTION ARRIÈRE (21) AVEC LES MAINS OU LES PIEDS !



Obturateur mulching

L'obturateur mulching (23) empêche le ramassage de l'herbe en bloquant la goulotte d'éjection arrière (21). Cela permet de déposer l'herbe coupée sur la pelouse pendant la coupe.



REMARQUE : Le mulching consiste à couper l'herbe et à rejeter l'herbe coupée sur la pelouse en une seule étape. L'herbe coupée est finement hachée, puis répartie uniformément sur la pelouse. Dans des conditions normales, l'herbe coupée se décompose rapidement, apportant ainsi des nutriments à la pelouse.

Ne pas fixer le bac de ramassage (7) et l'obturateur mulching (23) en même temps.

1. Ouvrir le déflecteur arrière (18), maintenir la poignée encastrée (23a) et insérer l'obturateur mulching (23) dans la goulotte d'éjection arrière (21) jusqu'en butée (Fig. 15).
2. Soulever la poignée encastrée (23a) et extraire l'obturateur mulching (23) de la goulotte d'éjection arrière (21), puis retirer l'obturateur mulching (23) (Fig. 16).

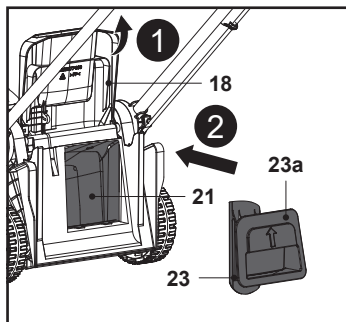


Fig. 15

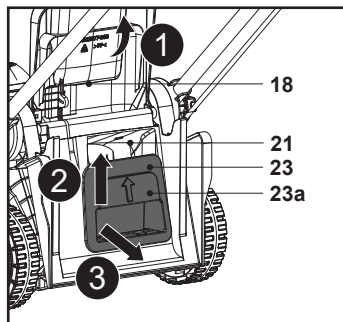


Fig. 16

Système de protection de la machine / batterie

La tondeuse à gazon est dotée d'un système de protection intégré. Ce système coupe automatiquement l'alimentation du moteur pour prolonger la durée de vie de l'outil et de la batterie. La tondeuse à gazon s'arrête automatiquement en cours de fonctionnement si elle se trouve dans l'une des conditions suivantes.

Protection contre la surcharge

Lorsque la machine est utilisée de manière à consommer un courant anormalement élevé, elle s'arrête automatiquement sans aucune indication. Dans ce cas, éteindre la machine et arrêter l'application qui a provoqué la surcharge de la machine. Ensuite, mettre la machine sous tension pour redémarrer.

Protection contre la surchauffe

Lorsque la batterie est en surchauffe, elle s'arrête automatiquement. Laisser la machine refroidir avant de la remettre en marche.

Protection contre les décharges excessives

Lorsque la capacité de la batterie devient faible, la machine s'arrête automatiquement. Si le produit ne fonctionne pas même lorsque les interrupteurs sont actionnés, retirer les batteries de la machine et les charger.

FR Utilisation

Fonctionnement général

1. Avant chaque utilisation, vérifier que la machine, sa batterie, son chargeur et ses accessoires ne sont pas endommagés. Ne pas utiliser la machine si elle est endommagée ou présente des signes d'usure. Régler tout problème éventuel et faire vérifier la machine par un spécialiste qualifié.
2. Vérifier soigneusement que les accessoires et outils sont fixés correctement.
3. Toujours pousser la machine à l'aide du guidon (2). S'assurer que les guidons restent secs pour garantir une bonne prise en main.

4. S'assurer que les ouvertures d'aération (16b) sont dégagées et ne sont pas obstruées. Le cas échéant, les nettoyer avec une brosse souple. Des aérations obstruées peuvent entraîner une surchauffe et endommager la machine.
5. Mettre immédiatement la machine hors tension et retirer la batterie (24) si d'autres personnes pénètrent dans la zone de travail de manière inopportune pendant l'utilisation. Toujours attendre l'arrêt complet de la machine avant de la laisser sans surveillance.
6. Éviter le surmenage. Prendre des pauses régulières afin de pouvoir se concentrer efficacement sur le travail et maîtriser la machine.

Marche / arrêt



AVERTISSEMENT ! AVANT LE DÉMARRAGE, PLACER LA MACHINE SUR UNE SURFACE PLANE EXEMPTE D'HERBE HAUTE !



NETTOYER LE DESSOUS DU CARTER DE COUPE !

DÉMARRER LE MOTEUR PRUDEMMENT EN RESPECTANT LES INSTRUCTIONS. TENIR LES PIEDS ÉLOIGNÉS DE LA LAME DE COUPE (22) !

NE PAS INCLINER LA MACHINE PENDANT LE DÉMARRAGE DU MOTEUR.

Démarrage



REMARQUE : La machine ne peut être démarrée qu'en appuyant sur l'interrupteur de sécurité (1), puis en appuyant sur les leviers de démarrage (3). L'opération inverse ne permet pas de démarrer la machine.

1. Soulever le couvercle magnétique (15c) et ouvrir le couvercle du compartiment de la batterie (15), puis insérer complètement la batterie (24).
2. Fermer le couvercle du compartiment de la batterie (15) avec précaution.
3. Se tenir derrière le guidon (2).
4. Tout en maintenant l'interrupteur de sécurité (1) enfoncé, tirer les leviers de démarrage (3) vers le guidon (2) et les maintenir dans cette position (Fig. 17, étapes 1, 2).
5. Une fois la tondeuse à gazon démarrée, relâcher l'interrupteur de sécurité (1).
6. La capacité réelle de la batterie est indiquée sur l'indicateur de batterie (16a) situé à l'arrière du capot du moteur (16).
7. Pousser la machine vers l'avant et commencer la tonte.

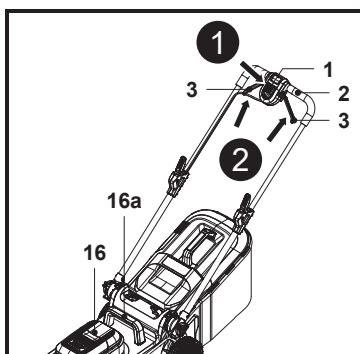


Fig. 17

Arrêt

Relâcher les leviers de démarrage (3) pour arrêter le moteur et la lame de coupe (22) (Fig. 18).

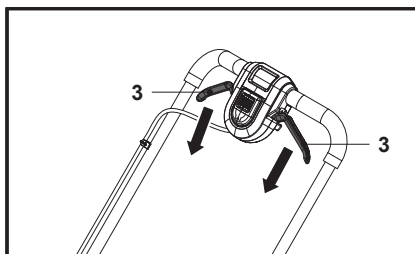


Fig. 18

Tonte

1. S'assurer de l'absence de pierres, de bâtons, de câbles et autres objets sur la pelouse qui pourraient endommager la machine ou sa lame.
2. Ne pas couper l'herbe humide : celle-ci a tendance à coller au-dessous de la machine, à empêcher la bonne éjection de l'herbe coupée et peut entraîner des glissades et même la chute de l'opérateur.
3. Ne jamais couper plus d'un tiers de la longueur totale de l'herbe pour garder une pelouse saine. En automne, les pelouses doivent être tondues uniquement tant que l'herbe pousse.
4. Pousser doucement la machine en avant.
5. Tondre en suivant des rangées qui se chevauchent légèrement. Le modèle le plus efficace pour tondre les pelouses est la ligne droite parallèle à l'une des bordures. Cela permet de tondre la pelouse en rangées régulières et garantit qu'aucun endroit de la pelouse n'a été oublié (Fig. 19).

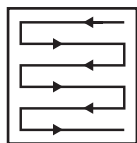


Fig. 19

6. Contourner les parterres de fleurs. Lorsqu'un parterre de fleurs se trouve au milieu de la pelouse, tondre une rangée ou deux autour de la circonférence du parterre.
7. Faire particulièrement attention pendant les changements de direction.
8. Vider le bac de ramassage (7) régulièrement.



AVERTISSEMENT ! SI LA MACHINE HEURTE UN CORPS ÉTRANGER, ARRÊTER IMMÉDIATEMENT ! LAISSER LA MACHINE REFROIDIR ET L'INSPECTER SOIGNEUSEMENT À LA RECHERCHE DE DOMMAGES ! RÉPARER TOUT DOMMAGE AVANT DE REDÉMARRER LE PRODUIT !



DES VIBRATIONS EXCESSIVES DE LA MACHINE PENDANT SON FONCTIONNEMENT PEUVENT INDiquer DES DOMMAGES ! LA MACHINE DOIT ÊTRE IMMÉDIATEMENT INSPECTÉE ET RÉPARÉE !

9. Préparer la machine pour l'application prévue.

Fonction	Bac de ramassage	Obturbateur mulching
Ramassage	fixé	retiré
Mulching	retiré	inséré

Ramassage

1. Retirer l'obturbateur mulching (23) et fixer le bac de ramassage (7).
2. Vider le bac de ramassage (7) régulièrement.

Mulching



REMARQUE : Le mulching consiste à couper l'herbe et à rejeter l'herbe coupée sur la pelouse en une seule étape. L'herbe coupée est finement hachée, puis répartie uniformément sur la pelouse. Dans des conditions normales, l'herbe coupée se décompose rapidement, apportant ainsi des nutriments à la pelouse.

1. Insérer l'obturbateur mulching (23) dans la goulotte d'éjection arrière (21) ; s'assurer que le bac de ramassage (7) n'est pas monté sur la machine.
2. Éviter de tondre lorsque l'herbe est humide (pluie ou rosée). L'herbe humide peut s'agglomérer, empêcher l'action de mulching et réduire la durée de fonctionnement. Il est préférable de tondre l'herbe en fin d'après-midi, lorsque l'herbe est sèche et que les zones fraîchement tondues ne sont pas exposées à la lumière directe du soleil.
3. Régler la hauteur de coupe à environ un tiers de la longueur de la lame, dans l'idéal pas plus de 35 mm à la fois pour de meilleures performances de mulching. Si la pelouse est très haute, il peut être nécessaire d'augmenter la hauteur de coupe afin de réduire l'effort de poussée et d'éviter toute surcharge du moteur. Pour le mulching très intensif, il est préférable d'effectuer un premier passage à une hauteur de coupe élevée, puis de repasser à une hauteur de coupe inférieure. Sinon, procéder à des coupes plus étroites en tondant lentement.
4. Pour de meilleures performances, ne pas laisser l'herbe s'accumuler sur le carter. De temps en temps, arrêter le produit et attendre l'arrêt complet de la lame. Puis tourner le produit sur le côté. À l'aide d'un objet tel qu'un bâton, retirer toute accumulation d'herbe sur la lame. Attention ! La lame présente des bords très tranchants. Nettoyer régulièrement après la tonte d'une pelouse nouvelle et après chaque utilisation.
5. Certains types d'herbes ou certaines conditions peuvent nécessiter un second mulching afin de répartir l'herbe sur la pelouse. Lors du second passage, il est préférable de tondre perpendiculairement (en travers) au premier trajet de tonte. Ne jamais modifier le trajet de tonte qui obligerait l'utilisateur à tondre en descente.
6. Changer le trajet de tonte chaque semaine. Cela évitera de marquer définitivement la pelouse.

Après utilisation

1. Éteindre la machine, retirer la batterie (24) et la laisser refroidir.
2. Contrôler, nettoyer et ranger la machine comme indiqué ci-dessous.

Les règles d'or de l'entretien



AVERTISSEMENT ! TOUJOURS METTRE LA MACHINE HORS TENSION, RETIRER SA BATTERIE (24) ET LA LAISSER REFROIDIR AVANT D'EFFECTUER L'INSPECTION, L'ENTRETIEN ET LES TRAVAUX DE NETTOYAGE !



RESPECTER STRICTEMENT CES INSTRUCTIONS LORS DE L'ENTRETIEN ET DE LA MAINTENANCE. TOUTES LES AUTRES INTERVENTIONS DOIVENT ÊTRE EFFECTUÉES PAR UN SPÉCIALISTE QUALIFIÉ !

1. Maintenir la machine propre. Retirer les débris du produit après chaque utilisation et avant le rangement.
2. Un nettoyage régulier et approprié contribue à garantir une utilisation sûre et prolonge la durée de vie de l'appareil.
3. Inspecter la machine avant chaque utilisation pour repérer les pièces usées et endommagées. Ne pas utiliser le produit si certaines pièces sont cassées ou usées.



AVERTISSEMENT ! EFFECTUER LES RÉPARATIONS ET L'ENTRETIEN UNIQUEMENT SELON CES INSTRUCTIONS ! TOUTES LES AUTRES INTERVENTIONS DOIVENT ÊTRE EFFECTUÉES PAR UN SPÉCIALISTE QUALIFIÉ !

Nettoyage général

1. Nettoyer la machine avec un chiffon humide et du savon au pH neutre. Utiliser une brosse pour les endroits difficiles à atteindre.
2. Nettoyer en particulier les interrupteurs et les ouvertures d'aération après chaque utilisation à l'aide d'un chiffon et d'une brosse.
3. Éliminer les saletés tenaces avec de l'air haute pression (max. 3 bar).



REMARQUE : Ne pas utiliser de produits chimiques, alcalins, abrasifs ou autres détergents ou désinfectants agressifs pour nettoyer ce produit, car ils pourraient endommager ses surfaces.

4. Vérifier l'absence de dommages et de signes d'usure. Réparer les dommages conformément à cette notice ou emmener la machine dans un centre de réparation agréé avant de l'utiliser à nouveau.

Pièces détachées / Pièces de rechange

Les pièces suivantes de ce produit peuvent être remplacées par l'utilisateur. Il est possible de se procurer les pièces de rechange auprès d'un revendeur agréé ou de notre service clientèle.

Description	Référence
Bac de ramassage (7)	199011000059 / 199011000065
Lame de coupe (22)	201045000459
Batterie (24)	MDVB36-4 / TTB812BAT / MCT1239BAT / TTT1240BAT
Chargeur (25)	MFC36 / TTB815CHR / MCB1241CHR / TTB1242CHR

Entretien

Avant et après chaque utilisation, vérifier la machine et les accessoires (ou les outils de coupe) pour déceler la présence éventuelle d'usure et de dommages. Si nécessaire, les remplacer par des neufs comme décrit dans cette notice. Respecter les exigences techniques.

Dessous du produit et lame de coupe



AVERTISSEMENT ! PORTER DES GANTS DE PROTECTION POUR INTERVENIR SUR LA LAME DE COUPE (22) ! UTILISER DES OUTILS APPROPRIÉS POUR RETIRER LES DÉBRIS, PAR EXEMPLE UN BÂTON OU UNE BALAYETTE. NE JAMAIS INTERVENIR LES MAINS NUES !



EN CAS DE REMPLACEMENT, TOUJOURS UTILISER DES PIÈCES DE RECHANGE D'ORIGINE. LA LAME DE COUPE DOIT ÊTRE REMPLACÉE PAR LA RÉFÉRENCE A022050-025. NE JAMAIS UTILISER UN AUTRE TYPE DE LAME DE COUPE !



LE REMPLACEMENT DE LA LAME DE COUPE DOIT ÊTRE EFFECTUÉ PAR UN SPÉCIALISTE QUALIFIÉ ! LE RÉUSINAGE OU L'AFFÛTAGE DES LAMES EST DÉCONSEILLÉ SAUF S'IL EST RÉALISÉ PAR UN SERVICE DE RÉPARATION OU UN SPÉCIALISTE QUALIFIÉ !

1. Maintenir le dessous de la machine et la lame de coupe (22) propres et exempts de débris. Retirer l'herbe coupée de la goulotte d'éjection arrière (21).
2. Vérifier régulièrement que toutes les fixations, par exemple les écrous et boulons, sont bien serrées avant d'utiliser le produit. Une utilisation prolongée, particulièrement sur des sols sablonneux, entraîne l'usure et une légère déformation de la lame de coupe. La coupe est moins efficace et la lame de coupe doit être remplacée.
3. Garder la lame de coupe (22) aiguisée pour assurer de bonnes performances de coupe. Si la lame de coupe est usée ou endommagée, la remplacer par une neuve de même type ou demander à un spécialiste qualifié de l'affûter.
4. Desserrer le boulon de fixation (22c) dans le sens antihoraire à l'aide d'une clé à chocs électrique adaptée (taille de douille 13 mm) (Fig. 20), puis le retirer avec la rondelle plate (22b) et la lame de coupe (22).

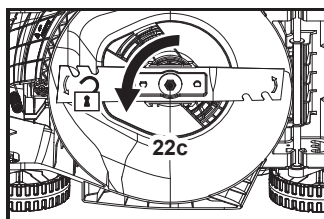


Fig. 20



REMARQUE : Si une clé manuelle est utilisée à la place d'une clé à chocs électrique, la lame de coupe (22) doit rester fixe pendant le desserrage du boulon. Porter des gants résistants et saisir fermement la lame. Utiliser un morceau de bois de taille appropriée pour bloquer la rotation de la lame si nécessaire (Fig. 21).

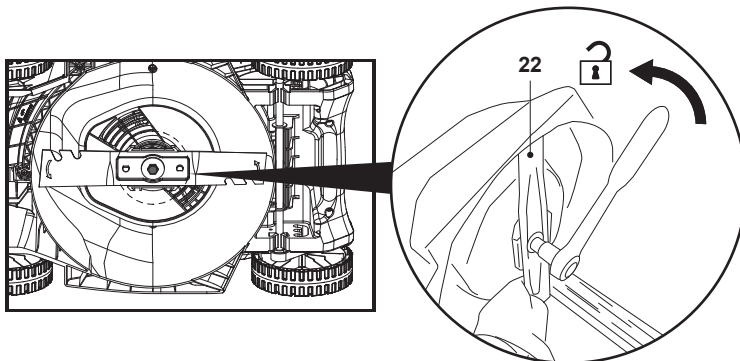


Fig. 21

5. Remplacer la lame de coupe (22) par une neuve de même type. Vérifier d'abord l'état du support de lame (22a) sur la broche, fixer la lame de coupe (22) sur le support de lame (22a) en l'alignant sur les motifs du support de lame (22a), puis fixer l'ensemble avec la rondelle plate (22b) et le boulon de fixation (22c) et serrer manuellement.
6. Maintenir fermement la lame de coupe (22) avec une main gantée et/ou un bâton, serrer le boulon de fixation (22c) dans le sens horaire à un couple de 25 Nm min., 30 Nm max. pour garantir le fonctionnement sûr de la machine (Fig. 22).

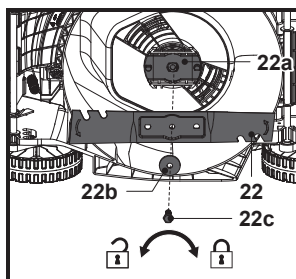


Fig. 22



AVERTISSEMENT ! AVANT CHAQUE UTILISATION, S'ASSURER QUE LA LAME DE COUPE (22) ET TOUTES LES FIXATIONS SONT INSTALLÉES CORRECTEMENT ET BIEN SERRÉES.

LE BOULON DE FIXATION NE DOIT ÊTRE REMPLACÉ QUE PAR UN BOULON DE FIXATION D'ORIGINE (22C).

7. Remplacer cette lame de coupe (22) après 50 heures de tonte ou 2 ans (selon la première échéance), quel que soit son état. Si la lame de coupe (22) est fissurée ou endommagée, elle doit être remplacée immédiatement par une neuve.
8. Lubrifier la lame de coupe (22) après chaque utilisation pour prolonger sa durée de vie et celle de la machine. Appliquer de l'huile de machine légère le long du bord de la lame de coupe (22).

Bac de ramassage

1. Inspecter le bac de ramassage (7) avant chaque utilisation. Ne pas l'utiliser si des dommages sont constatés.
2. Nettoyer le bac de ramassage (7) après utilisation avec de l'eau et du savon doux.
3. Laisser le bac de ramassage (7) sécher complètement avant de le ranger afin d'éviter les moisissures.

Cordon de commande

Vérifier le cordon de commande (20) avant chaque utilisation.



AVERTISSEMENT ! NE PAS UTILISER LA MACHINE AVEC UN CORDON DE COMMANDE (20) DÉFECTUEUX OU DESSERRÉ !

Réparation

Cette machine ne contient aucune pièce pouvant être réparée par l'utilisateur. Contacter un centre de réparation agréé ou une personne qualifiée afin de la faire vérifier et réparer.

Rangement

1. Éteindre la machine et retirer la batterie (24) avant le rangement.
2. Nettoyer la machine comme décrit ci-dessus.
3. Ranger la machine et ses accessoires dans un endroit sombre, sec, bien ventilé et à l'abri du gel.
4. Toujours ranger la machine dans un endroit inaccessible aux enfants. La température de stockage idéale est comprise entre 10 et 30 °C.
5. Nous conseillons d'utiliser l'emballage d'origine pour ranger la tondeuse à gazon ou de la couvrir avec une housse appropriée (sans la batterie) afin de la protéger contre la poussière.
6. Avant de la ranger, charger la batterie jusqu'à ce que 3 barres s'affichent sur l'indicateur lumineux.
7. Les guidons peuvent être complètement repliés pour le rangement :
 - Retirer le bac de ramassage (7)/l'obturateur mulching (23).
 - Régler le levier de réglage de la hauteur de coupe (12) sur la position la plus basse.
 - Desserrer les deux leviers de serrage (8), puis replier complètement l'ensemble de guidon (Fig. 23, étapes 1, 2).
 - Fixer les raccords en verrouillant les deux leviers de serrage (8) et s'assurer que le triangle de repère (6b) est aligné sur l'indicateur de stationnement (9a) afin d'éviter toute dispersion (Fig. 23, étape 3).
 - Ranger la tondeuse à gazon à plat ou en position verticale (Fig. 24).

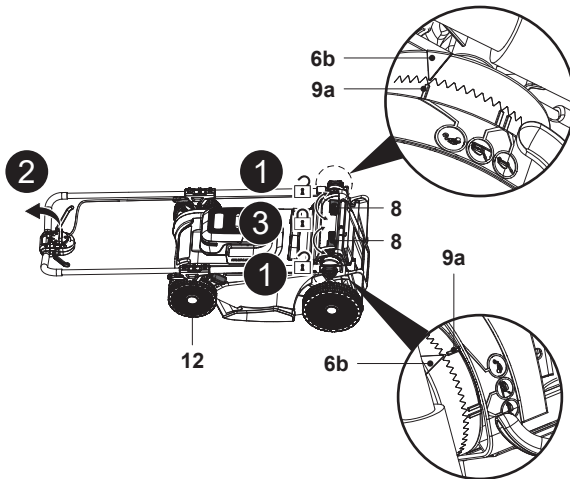


Fig. 23

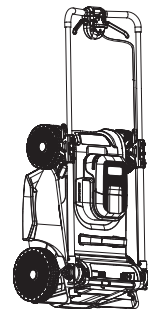


Fig. 24

8. Il est recommandé de ranger la tondeuse à gazon avec le bac de ramassage (7) accroché à la tondeuse et l'obturateur mulching (23) installé dans la tondeuse (Fig. 25).

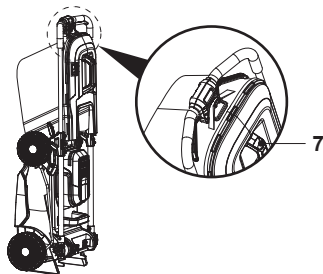


Fig. 25

9. Pour gagner de la place, il est également possible d'ouvrir les deux leviers de verrouillage (5) et d'insérer le guidon supérieur jusqu'en butée, de fixer les raccords (5, 8) et de s'assurer que le triangle de repère (6b) est aligné sur l'indicateur de stationnement (9a) afin d'éviter toute dispersion (Fig. 26).
10. Ranger la tondeuse à gazon à plat ou en position verticale (Fig. 27).

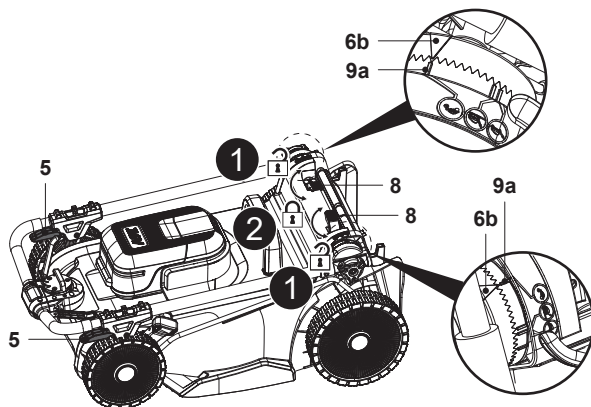


Fig. 26

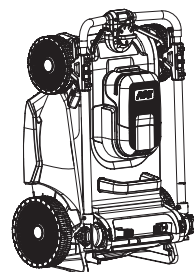


Fig. 27

Transport

1. Éteindre la machine et retirer la batterie (24) avant de la transporter.
2. Fixer les protections de transport, le cas échéant.
3. Toujours transporter la machine à l'aide de ses poignées de transport (14, 17).
4. Protéger la machine de tout choc violent ou de toute vibration importante susceptible de se produire lors du transport dans des véhicules.
5. Attacher la machine pour l'empêcher de glisser ou de tomber sous peine d'entraîner des dommages et des blessures.

Dépannage

Les dysfonctionnements soupçonnés sont souvent dus à des causes que les utilisateurs peuvent traiter eux-mêmes. Par conséquent, vérifier le produit à l'aide de cette section. Dans la plupart des cas, le problème peut être résolu rapidement.



AVERTISSEMENT ! EFFECTUER UNIQUEMENT LES ÉTAPES DÉCRITES DANS CES INSTRUCTIONS ! SI LE PROBLÈME PERSISTE, CONFIER TOUTE OPÉRATION PLUS POUSSÉE D'INSPECTION, D'ENTRETIEN ET DE RÉPARATION À UN CENTRE DE RÉPARATION AGRÉÉ OU À UN SPÉCIALISTE QUALIFIÉ !

Problème	Cause possible	Solution
1. Le produit ne démarre pas	1.1. La batterie est mal fixée	1.1. Fixer correctement la batterie
	1.2. La batterie est déchargée	1.2. Retirer et charger la batterie
	1.3. La batterie est chaude	1.3. Retirer la batterie et la laisser refroidir
	1.4. La batterie est endommagée	1.4. Faire vérifier par un électricien spécialisé
	1.5. Méthodes incorrectes pour démarrer le produit	1.5. Appuyer sur l'interrupteur de sécurité et le maintenir dans cette position, puis tirer le levier de démarrage pour démarrer le produit
	1.6. Autre défaillance électrique du produit	1.6. Faire vérifier par un électricien spécialisé
2. Le produit n'atteint pas sa pleine puissance	2.1. La capacité de la batterie est trop faible	2.1. Charger la batterie
	2.2. Les ouvertures d'aération sont obstruées	2.2. Nettoyer les ouvertures d'aération
3. Résultat de coupe non satisfaisant	3.1. La lame de coupe est émoussée / endommagée	3.1. À remplacer par un nouveau modèle
	3.2. Le matériau à couper dépasse la capacité du produit	3.2. Respecter la capacité de coupe du produit.
	3.3. Hauteur de coupe incorrecte	3.3. Régler la hauteur de coupe
4. Le produit s'arrête brusquement	4.1. La batterie est déchargée	4.1. Retirer et charger la batterie
	4.2. La batterie est trop chaude	4.2. Retirer la batterie et la laisser refroidir
	4.3. La lame de coupe est bloquée	4.3. Éliminer le blocage
5. Vibrations ou bruits excessifs	5.1. La lame de coupe est émoussée / endommagée	5.1. À remplacer par un nouveau modèle
	5.2. Le matériau à couper dépasse la capacité du produit	5.2. Respecter la capacité de coupe du produit
	5.3. Hauteur de coupe incorrecte	5.3. Régler la hauteur de coupe
	5.4. Les boulons / écrous sont desserrés	5.4. Resserrer les boulons / écrous

Recyclage et mise au rebut



Ce symbole est connu sous le nom de « poubelle barrée ».

Lorsque ce symbole est présent sur un produit ou une pile, cela signifie qu'il ne doit pas être jeté avec les déchets ménagers.

Certaines substances chimiques contenues dans les produits électriques / électroniques ou les piles peuvent nuire à la santé et à l'environnement.

Mettre au rebut les articles électriques ou électroniques, ainsi que les piles, uniquement dans des systèmes de collecte séparés, qui permettent de récupérer et de recycler les matériaux contenus à l'intérieur.

Le respect de ces consignes est essentiel pour assurer le succès de ces systèmes et protéger l'environnement.

Le produit est livré dans un emballage qui le protège contre les dommages pendant l'expédition. Conserver l'emballage le temps de vérifier que toutes les pièces ont bien été livrées et que le produit fonctionne correctement. Recycler l'emballage par la suite.

Mise au rebut d'une batterie épuisée



La batterie est de type Li-ion. Pour préserver les ressources naturelles, recycler ou mettre au rebut la batterie de manière appropriée. Consulter l'organisme local de gestion des déchets pour obtenir des renseignements concernant les options de recyclage et/ou de mise au rebut.

Décharger la batterie en actionnant la machine, puis la retirer et couvrir ses connexions avec du ruban adhésif résistant pour éviter les courts-circuits et les décharges électriques.

Ne pas essayer d'ouvrir ou de retirer l'un des composants.

Garantie

Nous veillons tout particulièrement à sélectionner des matériaux de haute qualité et à utiliser des techniques de fabrication qui nous permettent de créer des produits à la fois design et durables. Ce produit bénéficie d'une garantie fabricant de 2 ans couvrant les défauts de fabrication à compter de la date d'achat (en cas d'achat en magasin) ou de la date de livraison (en cas d'achat sur Internet), sans coût supplémentaire pour une utilisation domestique normale (non commerciale ni professionnelle).

Pour déposer une réclamation au titre de cette garantie, vous devez présenter votre preuve d'achat (ticket de caisse, facture d'achat ou toute autre preuve recevable en vertu de la loi en vigueur). Conservez votre preuve d'achat dans un endroit sûr. Pour que cette garantie soit applicable, le produit que vous avez acheté doit être neuf. La garantie ne s'applique pas aux produits d'occasion ou aux modèles d'exposition. Sauf indication contraire prévue par la loi en vigueur, tout produit de remplacement fourni au titre de la présente garantie ne sera garanti que jusqu'à expiration de la période de garantie initiale.

Cette garantie couvre les défaillances et dysfonctionnements du produit, sous réserve que le produit ait été utilisé conformément à l'usage pour lequel il a été conçu, qu'il ait été installé, nettoyé et entretenu conformément aux informations contenues dans les présentes conditions générales ainsi que dans le manuel d'utilisation, et conformément à la pratique, sous réserve que celles-ci n'aient pas à l'encontre du manuel d'utilisation.

Cette garantie ne couvre pas les défauts et dommages causés par l'usure normale ni les dommages pouvant résulter d'une utilisation non conforme, d'une installation ou d'un assemblage défectueux, ou d'une négligence, d'un accident, d'une mauvaise utilisation ou d'une modification du produit. Sauf indication contraire prévue par la loi en vigueur, cette garantie ne couvre en aucun cas les coûts accessoires (expédition, transport, frais de désinstallation et réinstallation, main d'œuvre, etc.), ni les dommages directs et indirects.

La présente garantie ne couvre pas les défauts ou dommages causés par ou résultant de :

- Usure normale, y compris l'usure des accessoires
- Utilisation excessive ou abusive, négligence
- Réparation tentée par une personne autre qu'un agent autorisé
- Dommages esthétiques
- Dommages causés par des substances ou objets étrangers, ou par des accidents
- Dommages ou modifications accidentels
- Non-respect des instructions du fabricant
- Perte d'usage des biens

Si le produit est défectueux, nous nous engageons, dans un délai raisonnable, à réparer, remplacer, rembourser, réviser ou fournir les pièces de rechange.

Cette garantie est valable dans le pays où vous avez acheté ce produit. Toute demande au titre de la garantie doit être adressée au magasin où vous avez acheté ce produit.

Cette garantie s'ajoute à vos droits au titre de la loi, sans les affecter.

Si vous avez acheté ce produit en France, en plus de cette garantie commerciale, le vendeur reste tenu de respecter la garantie légale de conformité prévue par les articles L217-4 à L217-14 du Code de la consommation et aux articles qui concernent les vices cachés de la chose vendue dans les conditions prévues aux articles 1641 à 1648 et 2232 du Code civil. Le distributeur auprès duquel vous avez acheté ce produit répond de tout défaut de conformité ou vice caché du produit, conformément aux présentes dispositions.

En vertu de l'article L217-16 du Code de la consommation, lorsque l'acheteur demande au vendeur, pendant la durée de la garantie commerciale qui lui a été consentie lors de l'acquisition ou de la réparation d'un bien meuble, une remise en état couverte par la garantie, toute période d'immobilisation d'au moins sept jours vient s'ajouter à la durée de la garantie qui reste à courir. Cette période court à compter de la demande d'intervention de l'acheteur ou de la mise à disposition pour réparation du bien en cause, si cette mise à disposition est postérieure à la demande d'intervention. Garantie légale de conformité (extrait du Code de la consommation) : Article L217-4 du Code de la consommation - Le vendeur doit livrer un bien conforme au contrat et répond des défauts de conformité existant lors de la livraison. Il répond également des défauts de conformité résultant de l'emballage, des instructions de montage ou de l'installation lorsque celle-ci a été mise à sa charge par le contrat ou a été réalisée sous sa responsabilité. Article L217-5 du Code de la consommation - Le bien est conforme au contrat : 1. S'il est adapté à l'objectif généralement prévu pour des biens similaires et, le cas échéant : s'il correspond à la description donnée par le vendeur et possède les qualités présentées par le vendeur à l'acheteur sous forme d'échantillon ou de modèle ; s'il présente des qualités que l'acheteur peut légitimement attendre au regard des déclarations publiques faites par le vendeur, par le fabricant ou par son représentant, notamment dans la publicité ou l'étiquetage ; 2. Ou s'il présente les caractéristiques définies d'un commun accord par les parties ou est propre à tout usage spécial recherché par l'acheteur, porté à la connaissance du vendeur et que ce dernier a accepté. Article L217-12 du Code de la consommation - Toute réclamation suite à un défaut de conformité est limitée à deux ans à compter de la livraison du bien. Garantie légale sur les vices cachés (extrait du Code de la consommation) : Article 1641 du Code civil - Le vendeur est tenu de la garantie en cas de défauts cachés de la chose vendue qui la rendent impropre à l'usage auquel on la destine, ou qui diminuent tellement cet usage que l'acheteur ne l'aurait pas acquise, ou n'en aurait donné qu'un moindre prix, s'il les avait connus. Article 1648 du Code civil (alinéa 1) - Toute réclamation résultant de vices cachés doit être faite par l'acheteur dans un délai de deux ans à compter de la découverte du vice.

Pour obtenir de l'aide sur la réparation ou l'entretien de votre produit, veuillez vous rendre à l'accueil de votre magasin, muni de votre ticket de caisse.

**IMPORTANT – A CONSERVER POUR DE
FUTURS BESOINS DE REFERENCE :
A LIRE SOIGNEUSEMENT**



(EN) EU DECLARATION OF CONFORMITY
(FR) DÉCLARATION UE DE CONFORMITÉ
(PL) DEKLARACJA ZGODNOŚCI UE
(RO) DECLARAȚIA DE CONFORMITATE UE
(ES) DECLARACIÓN UE DE CONFORMIDAD
(PT) DECLARAÇÃO DE CONFORMIDADE UE

Product/Produit/Produkt/Produsul/Producto/Produto

- Cordless lawnmower 36 V 38 cm / Tondeuse à gazon 36 V 38 cm / Kosiarka akumulatorowa 36 V 38 cm / Mașină de tuns iarba, fără fir 36 V 38 cm / Cortacésped 36 V 38 cm / Corta-relva sem fios 36 V 38 cm
- MCT1191LWM / TTT1192LWM, 38 cm
- SN: 000001 to 999999

Name and address of the manufacturer or his authorised representative:

Nom et adresse du fabricant ou de son mandataire:

Nazwa i adres producenta lub jego upoważnionego przedstawiciela:

Denumirea și adresa producătorului sau a reprezentantului său autorizat:

Nombre y dirección del fabricante o de su representante autorizado:

Nome e endereço do fabricante ou do respetivo mandatário:

Kingfisher International Products B.V.,
Rapenburgerstraat 175E,
1011 VM Amsterdam,
The Netherlands

This declaration of conformity is issued under the sole responsibility of the manufacturer.

La présente déclaration de conformité est établie sous la seule responsabilité du fabricant.

Niniejsza deklaracja zgodności wydana zostaje na wyłączną odpowiedzialność producenta.

Prezenta declarație de conformitate este emisă pe răspunderea exclusivă a producătorului.

La presente declaración de conformidad se expide bajo la exclusiva responsabilidad del fabricante.

A presente declaração de conformidade é emitida sob a exclusiva responsabilidade do fabricante.

Object of the declaration/Objet de la declaration/Przedmiot deklaracji/Obiectul declarației/Objeto de la declaración/Objeto da declaração

Product/Produit/Produkt/Produsul/Producto/Produto	Model/Modèle/Model/Modelul/Modelo/ Modelo	EAN
Cordless lawnmower 36 V 38 cm / Tondeuse à gazon 36 V 38 cm / Kosiarka akumulatorowa 36 V 38 cm / Mașină de tuns iarba, fără fir 36 V 38 cm / Cortacésped 36 V 38 cm / Corta-relva sem fios 36 V 38 cm	MCT1191LWM TTT1192LWM	5063022637161 5063022636959 5063022638076 5063022637727 5063022637062 5063022637567

The object of the declaration described above is in conformity with the relevant Union harmonisation legislation:

L'objet de la déclaration décrit ci-dessus est conforme à la législation d'harmonisation de l'Union applicable:

Wymieniony powyżej przedmiot niniejszej deklaracji jest zgodny z odnośnymi wymaganiami unijnego prawodawstwa harmonizacyjnego:

Obiectul declarației descris mai sus este în conformitate cu legislația relevantă de armonizare a Uniunii:

El objeto de la declaración descrita anteriormente es conforme con la legislación de armonización pertinente de la Unión:

O objeto da declaração acima descrito está em conformidade com a legislação de harmonização da União aplicável:

2006/42/EC as amended Machinery Directive
 2014/30/EU as amended Directive Electromagnetic compatibility
 2000/14/EC as amended Outdoor Noise Directive
 2011/65/EU as amended Directive on the restriction of the use of certain hazardous substances in electrical and electronic equipment
 Directive 2006/42/CE relative aux machines
 2014/30 / UE telle que modifiée Directive Compatibilité électromagnétique
 Directive 2000/14/CE relative aux émissions sonores extérieures
 Directive 2011/65/UE relative à la limitation de l'utilisation de certaines substances dangereuses dans les équipements électriques et électroniques
 2006/42/WE w zmienionej dyrektywie maszynowej
 2014/30 / UE ze zmianami Dyrektywa Kompatybilność elektromagnetyczna
 2000/14/WE w zmienionej dyrektywie w sprawie hałasu na zewnątrz
 2011/65/UE zgodnie z wprowadzonymi poprawkami Dyrektywa w sprawie ograniczenia stosowania niektórych niebezpiecznych substancji w sprzęcie elektrycznym i elektronicznym
 2006/42/CE, astfel a fost modificată Directiva privind echipamentele
 2014/30/UE, astfel a fost modificată Directiva privind compatibilitatea electromagnetică
 2000/14/CE, astfel a fost modificată Directiva privind zgomotul în aer liber
 2011/65/UE cum a fost modificată Directiva Restricțiile de utilizare a anumitor substanțe periculoase în echipamentele electrice și electronice
 Directiva sobre maquinaria modificada 2006/42/CE
 2014/30/UE modificada Directiva Compatibilidad electromagnética
 2000/14/CE modificada Directiva sobre ruido al aire libre
 2011/65/UE según enmendado Directiva sobre restricciones a la utilización de determinadas sustancias peligrosas en aparatos eléctricos y electrónicos
 2006/42/CE como diretiva de máquinas alteradas
 2014/30/UE como alteração da compatibilidade eletromagnética
 2000/14/CE como diretiva de ruído exterior alterada
 2011/65/UE conforme alterado Directiva Restrição do uso de determinadas substâncias perigosas em equipamentos eléctricos e electrónicos

Measured Sound Power Level

Le niveau de puissance acoustique mesuré

Zmierzony poziom mocy akustycznej

Nivel de putere acustică măsurat

Nivel de potencia sonora medido

Nível de potência sonora medido

: 86.92 dB(A)

Guaranteed Sound Power Level

Le niveau de puissance acoustique garant

Gwarantowany poziom mocy akustycznej

Nivel de putere acustică garantat

Nivel de potencia sonora garantizado

Nível de potência sonora garantido

: 88 dB(A)

TÜV Rheinland LGA Products GmbH, Tillystraße 2 - 90431 Nürnberg, Germany (No.0197) performed EC-Type Examination according to Outdoor Noise Directive 2000/14/EC Annex VI. EC Type Approval No: JO 60182474 0001.

TÜV Rheinland LGA Products GmbH, Tillystraße 2 - 90431 Nürnberg, Germany (No.0197) a effectué l'examen CE de type conformément à l'annexe VI de la directive 2000/14/CE sur le bruit extérieur. Approbation de type CE Non : JO 60182474 0001.

TÜV Rheinland LGA Products GmbH, Tillystraße 2 - 90431 Nürnberg, Germany (No.0197) przeprowadził badanie typu WE zgodnie z dyrektywą w sprawie hałasu zewnętrznego 2000/14/WE załącznik VI. Homologacja typu WE nr: JO 60182474 0001.

TÜV Rheinland LGA Products GmbH, Tillystraße 2 - 90431 Nürnberg, Germany (No.0197) a efectuat examinarea CE de tip în conformitate cu Directiva privind zgomotul exterior 2000/14/CE anexa VI. Nr. omologare CE de tip: JO 60182474 0001.

TÜV Rheinland LGA Products GmbH, Tillystraße 2 - 90431 Nürnberg, Germany (No.0197) realizó el examen CE de tipo de acuerdo con la Directiva de ruido exterior 2000/14/CE Anexo VI. No de homologación de tipo CE: JO 60182474 0001.

TÜV Rheinland LGA Products GmbH, Tillystraße 2 - 90431 Nürnberg, Germany (No.0197) realizou o Exame CE do Tipo de acordo com o Anexo VI da Diretiva 2000/14/CE relativa ao ruído exterior. Aprovação do tipo CE Não: JO 60182474 0001.

References to the relevant harmonised standards used or references to the other technical specifications in relation to which conformity is declared:

Références des normes harmonisées pertinentes appliquées, y compris la date de celles-ci, ou des autres spécifications techniques, y compris la date de celles-ci, par rapport auxquelles la conformité est déclarée:

Odwołania do odnośnych norm zharmonizowanych, które zastosowano, wraz z datą normy, lub do innych specyfikacji technicznych, wraz z datą specyfikacji, w odniesieniu do których deklarowana jest zgodność:

Trimiteri la standardele armonizate relevante folosite, inclusiv data standardului, sau trimiteri la celelalte specificații tehnice, inclusiv data specificațiilor, în legătură cu care se declară conformitatea:

Referencias a las normas armonizadas pertinentes utilizadas, incluidas las fechas de las normas, o referencias a las otras especificaciones técnicas, incluidas las fechas de las especificaciones, respecto a las cuales se declara la conformidad:

Referências às normas harmonizadas aplicáveis utilizadas, incluindo a data da norma, ou às outras especificações técnicas, incluindo a data da especificação, em relação às quais é declarada a conformidade:

EN 62841-1: 2015 + A11: 2022

EN IEC 62841-4-3: 2021 + A11: 2021

EN IEC 61000-3-2: 2019 + A1: 2021

EN 61000-3-3: 2013 + A1: 2019 + A2: 2021

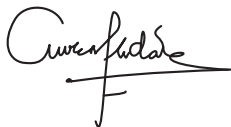
EN IEC 55014-1: 2021

EN IEC 55014-2: 2021

EN IEC 63000: 2018

Authorised signatory and technical file holder / signataire et responsable de la documentation technique autorisé / podmiot uprawniony do wystawienia i adres prezechowywania dokumentacji technicznej / semnatar autorizat și deținător al dosarului tehnic / firmante autorizado y titular del expediente técnico / signatário autorizado e detentor da ficha técnica

Kingfisher International Products B.V.,
Rapenburgerstraat 175E,
1011 VM Amsterdam,
The Netherlands



David Awe
Group Quality Director
Directeur Qualité Groupe
Dyrektor ds. Jakości Grupy
Director Calitate Grup
Director de Calidad del Grupo
Diretor de Qualidade do Grupo

: [09/07/2025]



ÉLÉMENTS D'EMBALLAGE
À SÉPARER + NOTICE À
DÉPOSER DANS LE BAC
DE TRI



Fabricant:

EU Manufacturer:

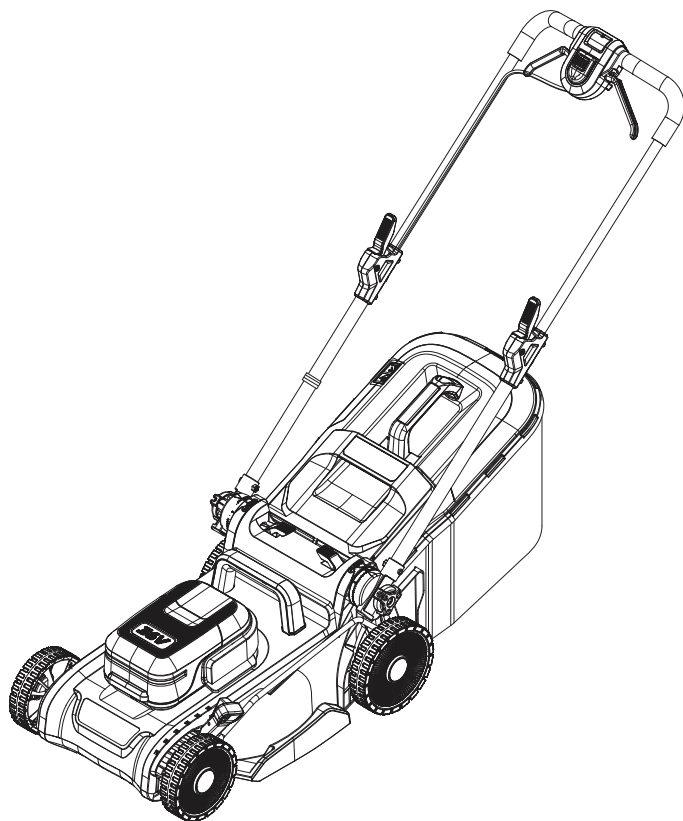
Kingfisher International Products B.V.,
Rapenburgerstraat 175E,
1011 VM Amsterdam,
The Netherlands

FR www.castorama.fr

www.bricodépot.fr

www.screwfix.fr

**Pour consulter les manuels d'instructions en
ligne, rendez-vous sur le site
www.kingfisher.com/products**



PL Kosiarka 36 V 38 cm

PL INSTRUKCJA OBSŁUGI

WAŻNE — Niniejsza instrukcja została opracowana w celu zapewnienia bezpieczeństwa użytkownikowi. Należy dokładnie ją przeczytać przed rozpoczęciem użytkowania produktu i zachować do wglądu w przyszłości.



V10925_5063022637161_MAND4_2425_RP0506D

MCT1191LWM

5063022637161

5063022636959

5063022638076

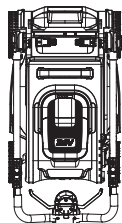
TTT1192LWM

5063022637727

5063022637062

5063022637567

PL Części



01. x1



02. x1



03. x1



04. x1

PL Będziesz potrzebować



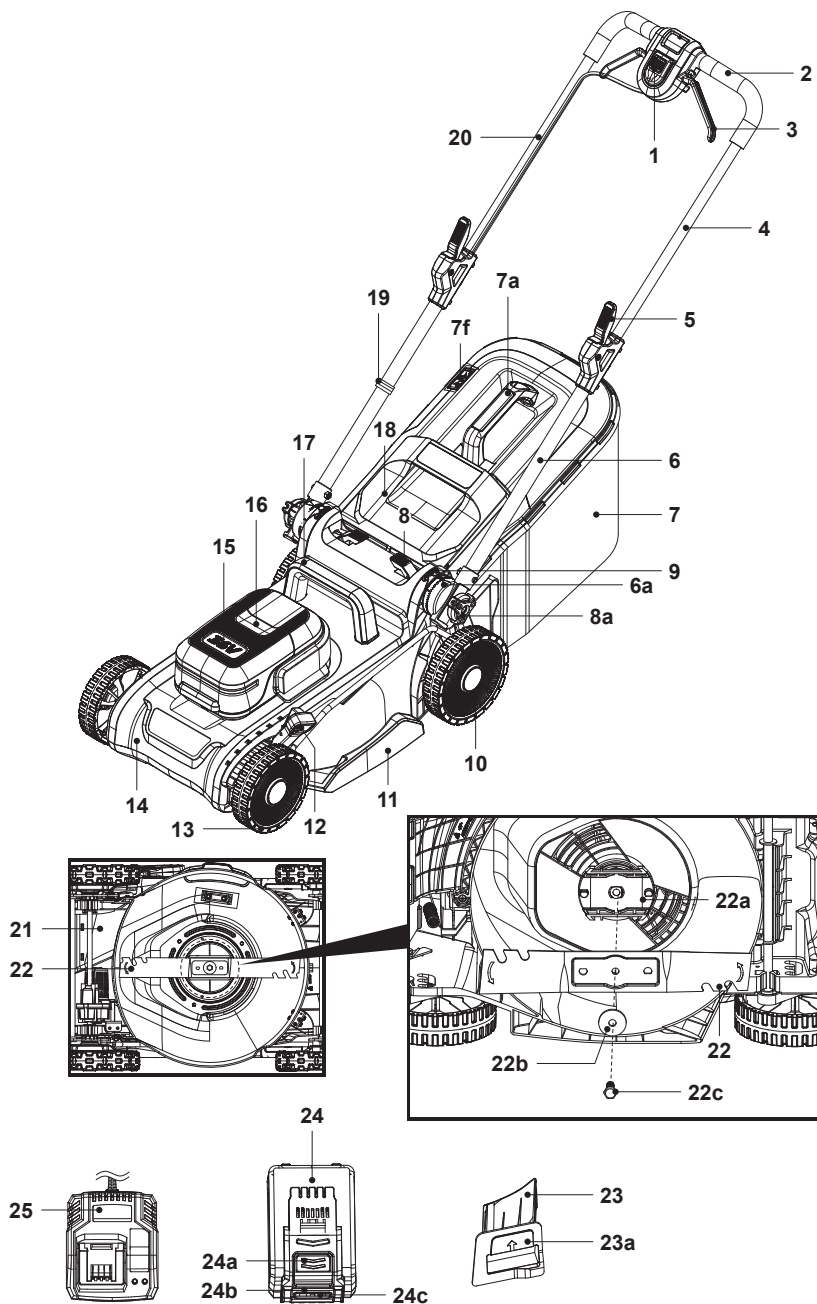
x1

(elementy nienależące do zestawu)

- Odpowiednie środki ochrony indywidualnej
- Odpowiedni klucz
- Odpowiedni olej smarujący
- Akumulator (24) do produktu EAN 5063022638076 i 5063022637567
- Ładowarka (25) do produktu EAN 5063022638076 i 5063022637567

PL Spis treści

PL	
Opis produktu	3
Bezpieczeństwo	5
Przygotowanie	23
Montaż	24
Funkcje i ustawienia	28
Użytkowanie	33
Czyszczenie i konserwacja	36
Gwarancja	43
Deklaracja zgodności	44



1. Przełącznik bezpieczeństwa
2. Uchwyt
3. Dźwignia uruchamiania (x2)
4. Uchwyt górny
5. Dźwignia blokująca (x2)
6. Uchwyt dolny (x2)
 - a. Obrotowa płytka
 - b. Trójkątny wskaźnik*
7. Kosz na trawę
 - a. Uchwyt do noszenia
 - b. Gumowy zacisk* (x3)
 - c. Pręt podtrzymujący*
 - d. Zaczep kosza* (x2)
 - e. Uchwyt tylny*
 - f. Kłapa
8. Dźwignia zaciskowa (x2)
 - a. Pokrętko blokujące
9. Wspornik uchwytu (x2)
 - a. Wskaźnik położenia postojowego*
 - b. Wskaźnik wysokości górnego uchwytu*
 - c. Wskaźnik wysokości dolnego uchwytu*
10. Koło tylne (x2)
11. Komora ostrza tnącego
12. Dźwignia regulacji wysokości koszenia
 - a. Przycisk blokady*
13. Koło przednie (x2)
14. Uchwyt transportowy przedni
15. Pokrywa komory akumulatora
 - a. Styki elektryczne*
 - b. Prowadnica* (x2)
 - c. Pokrywa magnetyczna*
16. Pokrywa silnika
 - a. Wyświetlacz akumulatora*
 - b. Otwory wentylacyjne*
17. Uchwyt transportowy
18. Tylna osłona deflektora
19. Zacisk do linki (x2, 1 wstępnie zamontowany)
20. Linka sterująca
21. Tylna rura wylotowa
 - a. Gniazdo* (x2)
22. Ostrze tnące
 - a. Uchwyt ostrza
 - b. Podkładka płaska
 - c. Śruba mocująca
23. Wkładka mulczująca
 - a. Zagłębiony uchwyt
24. Akumulator
 - a. Przycisk zwalniający
 - b. Przycisk kontroli poziomu naładowania akumulatora
 - c. Wskaźniki poziomu naładowania akumulatora
25. Ładowarka



UWAGA: Części oznaczone gwiazdką * nie zostały pokazane w tym zestawieniu. Patrz odpowiednia część niniejszej instrukcji obsługi.



UWAGA: W przypadku produktów o numerach EAN 5063022638076 i 5063022637567 akumulator (24) ani ładowarki (25) nie są częścią zestawu. Należy je zakupić osobno.



Ogólne ostrzeżenia dotyczące bezpieczeństwa użytkowania maszyny



OSTRZEŻENIE! NALEŻY ZAPOZNAĆ SIĘ ZE WSZYSTKIMI OSTRZEŻENIAMI DOTYCZĄCYMI BEZPIECZEŃSTWA, INSTRUKCJAMI, ILUSTRACJAMI I DANymi TECHNICZNYMI DOŁĄCZONYMI DO URZĄDZENIA. NIEPRZESTRZEGANIE WSZYSTKICH PONIŻSZYCH INSTRUKCJI MOŻE DOPROWADZIĆ DO PORAŻENIA PRĄDEM, WYBUCHU POŻARU LUB POWSTANIA POWAŻNYCH OBRAŻEŃ.

NALEŻY ZACHOWAĆ WSZYSTKIE OSTRZEŻENIA I INSTRUKCJE DO WGLĄDU W PRZYSZŁOŚCI.

TERMIN „MASZYNA” UŻYTY W ZASADACH BEZPIECZEŃSTWA ODNOSI SIĘ ZARÓWNO DO URZĄDZEŃ ZASILANYCH Z SIECI ELEKTRYCZNEJ (PRZEWODOWYCH), JAK I DO MASZYN ZASILANYCH AKUMULATOROWO (BEZPRZEWODOWYCH).

Bezpieczeństwo w miejscu pracy

- **Miejsce pracy powinno być czyste i dobrze oświetlone.** Nieporządek oraz słabe oświetlenie sprzyjają wypadkom.
- **Nie należy obsługiwać maszyn w środowisku zagrożonym wybuchem, np.** w obecności łatwopalnych cieczy, gazów lub pyłów. Maszyny wytwarzają iskry, które mogą spowodować zapłon pyłu lub oparów.

- **Nie zezwalać na przebywanie dzieci i osób postronnych w pobliżu pracującej maszyny.** Czynniki rozpraszające uwagę mogą spowodować utratę kontroli przez użytkownika.

Bezpieczeństwo elektryczne

- **Wtyczki przewodów maszyny muszą pasować do gniazd zasilających. Nie wolno w żaden sposób przerabiać wtyczki. Do zasilania maszyn, które są uziemione, nie wolno stosować żadnych adapterów (przejściówek).** Oryginalne wtyczki i pasujące gniazda zmniejszają ryzyko porażenia prądem elektrycznym.
- **Należy unikać kontaktu ciała z uziemionymi powierzchniami, takimi jak rury, grzejniki, kuchenki i lodówki.** Jeśli ciało użytkownika jest uziemione, istnieje większe ryzyko porażenia prądem.
- **Nie narażać elektronarzędzi na działanie deszczu ani wilgoci.** Przedostanie się wody do środka elektronarzędzia zwiększa ryzyko porażenia prądem.
- **Nie nadwyrażać przewodu elektrycznego. Nigdy nie używać przewodu zasilającego do przenoszenia, ciągnięcia ani odłączania maszyny od sieci. Przewód zasilania trzymać z dala od źródeł ciepła, oleju, ostrych krawędzi i ruchomych części maszyn.** Uszkodzenie lub zaplątanie przewodów zwiększa ryzyko porażenia prądem.
- **Podczas korzystania z urządzenia na zewnątrz należy korzystać z przedłużacza przystosowanego do użytku na zewnątrz.** Użycie odpowiedniego przedłużacza podczas pracy na zewnątrz zmniejsza ryzyko porażenia prądem.
- **Jeśli nie można uniknąć pracy z maszyną w wilgotnym miejscu, należy korzystać ze źródła zasilania wyposażonego w wyłącznik różnicowoprądowy (RCD).** Użycie RCD zmniejsza ryzyko porażenia prądem elektrycznym.

Bezpieczeństwo użytkownika

- **Podczas pracy z maszyną zachować czujność, obserwować maszynę i kierować się zdrowym rozsądkiem. Nie wolno używać maszyny, jeśli operator jest zmęczony lub pod wpływem leków, alkoholu albo środków odurzających.** Chwila nieuwagi podczas używania maszyny może doprowadzić do poważnych obrażeń.
- **Należy stosować środki ochrony indywidualnej. Zawsze stosować środki ochrony oczu.** Użycie środków ochrony odpowiednich do warunków pracy, takich jak maska przeciwpyłowa, obuwie antypoślizgowe, kask czy ochronniki słuchu, pozwoli ograniczyć ryzyko odniesienia obrażeń ciała.
- **Należy zapobiegać przypadkowemu uruchomieniu. Przed podłączeniem maszyny do źródła zasilania lub akumulatora, podniesieniem jej lub przeniesieniem upewnić się, że przełącznik jest ustawiony w położeniu wyłączenia.** Przenoszenie maszyn z palcem trzymanym na przełączniku lub podłączanie załączonych maszyn do źródła zasilania może być przyczyną wypadków.
- **Przed uruchomieniem maszyny usunąć z niej wszelkie przyrządy nastawcze i klucze.** Pozostawienie klucza lub przyrządu regulującego na obracającej się części maszyny może spowodować obrażenia ciała.
- **Nie sięgać zbyt daleko. Przez cały czas utrzymywać właściwą postawę i równowagę.** Pozwala to na zachowanie lepszej kontroli nad maszyną w niespodziewanych sytuacjach.
- **Nosić odpowiednią odzież. Nie nosić luźnej odzieży ani biżuterii. Nie zbliżać włosów ani odzieży do ruchomych części.** Luźna odzież, biżuteria i długie włosy mogą zostać pochwycone przez ruchome części.
- **Jeśli w zestawie znajdują się urządzenia do podłączenia systemów odpylających, należy sprawdzić, czy zostały prawidłowo podłączone i są właściwie używane.** Korzystanie z urządzeń odpylających zmniejsza ryzyko związane z nadmiernym zapyleniem.

- **Nie wolno pozwolić, aby znajomość maszyny, wynikająca z jej częstego używania, zamieniła się w rutynę skutkującą ignorowaniem zasad bezpieczeństwa.** Nieostrożne działanie może w ułamku sekundy spowodować poważne obrażenia.

Użytkowanie i konserwacja maszyny

- **Nie wykonywać żadnych czynności na siłę. Używać maszyny odpowiedniej do danego zastosowania.** Właściwy dobór maszyny pozwoli wykonać pracę lepiej i bezpieczniej w przewidzianym tempie.
- **Nie korzystać z maszyny, jeśli nie można jej włączyć lub wyłączyć przełącznikiem.** Maszyna, której nie można kontrolować za pomocą przełącznika, jest niebezpieczna i wymaga naprawy.
- **Przed dokonaniem jakichkolwiek regulacji, zmiany akcesoriów lub schowaniem maszyny odłączyć wtyczkę od źródła zasilania i/lub wyjąć z maszyny akumulator (w przypadku akumulatora wyjmowanego).** Takie środki zapobiegawcze zmniejszają ryzyko przypadkowego uruchomienia maszyny.
- **Nieużywane maszyny przechowywać poza zasięgiem dzieci i nie pozwalać na ich obsługę osobom niezaznajomionym z maszyną lub z niniejszą instrukcją.** Maszyny w rękach nieprzeszkolonych użytkowników są niebezpieczne.
- **Należy konserwować maszyny i akcesoria. Sprawdzać, czy ruchome części są wyrównane i nie zacinają się oraz czy żadne części nie są uszkodzone lub nie znajdują się w stanie, który mógłby wpływać na działanie maszyny. W razie stwierdzenia uszkodzenia przed użyciem oddać maszynę do naprawy.** Wiele wypadków wynika z nieprawidłowej konserwacji maszyn.
- **Maszyny tnące powinny być ostre i czyste.** Właściwie konserwowane i naostrzone maszyny tnące rzadziej się blokują i łatwiej jest utrzymać nad nimi kontrolę.

- **Maszyny, akcesoriów, końcówek narzędzi itp. należy używać zgodnie z niniejszą instrukcją i przy uwzględnieniu warunków roboczych oraz rodzaju pracy.** Używanie maszyny do prac niezgodnych z jej przeznaczeniem może prowadzić do niebezpiecznych sytuacji.
- **Uchwyty i powierzchnie chwytu muszą być suche, czyste oraz wolne od oleju i smaru.** Śliskie uchwyty i powierzchnie nie pozwalają na bezpieczną pracę i zachowanie pełnej kontroli nad maszyną w nieoczekiwanych sytuacjach.

Obsługa i konserwacja maszyn akumulatorowych

- **Ładować wyłącznie za pomocą ładowarki określonej przez producenta.** Ładowarka odpowiednia do jednego typu akumulatora może stwarzać ryzyko pożaru w przypadku używania z innym akumulatorem.
- **W maszynach używać tylko akumulatorów specjalnie do nich przeznaczonych.** Zastosowanie jakichkolwiek innych akumulatorów może stwarzać ryzyko obrażeń i pożaru.
- **Gdy akumulator nie jest używany, należy przechowywać go z dala od metalowych przedmiotów, takich jak spinacze do papieru, monety, klucze, gwoździe, wkręty oraz inne niewielkie przedmioty metalowe, które mogą spowodować zwarcie między zaciskami.** Zwarcie ze sobą zacisków akumulatora może spowodować oparzenia lub pożar.
- **W przypadku nieprawidłowej eksploatacji może dojść do wytrysnięcia cieczy z akumulatora. Unikać kontaktu. W razie przypadkowego kontaktu splukać miejsce kontaktu wodą. W przypadku kontaktu cieczy z oczami należy dodatkowo uzyskać pomoc lekarską.** Ciecz wyrzucona z akumulatora może spowodować podrażnienie lub oparzenia.
- **Nie używać akumulatora ani maszyny, jeśli są uszkodzone lub zostały zmodyfikowane.** Uszkodzone lub przerobione akumulatory mogą wykazywać nieprzewidywalne zachowanie skutkujące pożarem, wybuchem lub ryzykiem wystąpienia obrażeń.

- **Nie narażać akumulatora ani maszyny na kontakt z ogniem lub zbyt wysoką temperaturą.** Narażenie na kontakt z ogniem lub temperaturą powyżej 130 °C może spowodować wybuch.
- **Przestrzegać wszystkich wskazówek dotyczących ładowania i nie ładować akumulatora ani maszyny poza zakresem temperatur wskazanym w instrukcji.** Ładowanie przeprowadzane w nieprawidłowy sposób lub w temperaturach wykraczających poza określony zakres może spowodować uszkodzenie akumulatora i zwiększyć ryzyko pożaru.

Serwisowanie

- **Urządzenie powinno być serwisowane wyłącznie przez wykwalifikowanego mechanika i wyłącznie z użyciem oryginalnych części zamiennych.** Zapewni to utrzymanie bezpieczeństwa maszyny.
- **Nie wolno serwisować uszkodzonego akumulatora.** Serwis akumulatora powinien zostać przeprowadzony przez producenta lub upoważnionych usługodawców.

Ostrzeżenia dotyczące bezpieczeństwa użytkownika kosiarki

- **Nie używać kosiarki przy złej pogodzie, w szczególności gdy mogą występować wyładowania atmosferyczne.** Zmniejszy to ryzyko porażenia piorunem.
- **Dokładnie sprawdzić, czy w obszarze, na którym ma być używana kosiarka, nie bytują zwierzęta.** Pracująca kosiarka może zranić zwierzęta.
- **Dokładnie sprawdzić obszar, na którym ma być używana kosiarka, i usunąć wszystkie kamienie, patyki, druty, kości i inne przedmioty.** Przedmioty wyrzucane przez maszynę mogą spowodować obrażenia.
- **Przed każdym użyciem kosiarki należy obejrzeć ją i sprawdzić, czy ostrze i jego zespół nie są zużyte lub uszkodzone.** Zużyte lub uszkodzone części zwiększają ryzyko obrażeń.

- **Należy często sprawdzać kosz na trawę pod kątem zużycia lub uszkodzenia.** Zużyty lub uszkodzony kosz na trawę może zwiększać ryzyko obrażeń.
- **Nie wolno zdejmować osłon. Osłony muszą być w dobrym stanie i być prawidłowo zamontowane.** Luźna, uszkodzona lub niewłaściwie działająca osłona może spowodować obrażenia.
- **Utrzymywać w czystości wszystkie wloty powietrza chłodzącego.** Niedrożne i zanieczyszczone wloty powietrza mogą powodować przegrzanie i ryzyko pożaru.
- **Podczas obsługi kosiarki należy zawsze nosić antypoślizgowe obuwie ochronne. Nie wolno obsługiwać kosiarki boso ani w sandałach.** Pozwoli to zmniejszyć ryzyko obrażeń stóp w wyniku kontaktu z ruchomym ostrzem.
- **Podczas pracy kosiarką należy zawsze nosić długie spodnie.** Odkryta skóra jest bardziej narażona na obrażenia spowodowane odrzucanymi przedmiotami.
- **Nie wolno pracować kosiarką na mokrej trawie. W trakcie pracy z urządzeniem należy chodzić, nigdy biegać.** Pozwoli to zmniejszyć ryzyko poślizgnięcia się i upadku, co mogłoby spowodować obrażenia.
- **Nie wolno pracować kosiarką na terenie o zbyt stromym nachyleniu.** Pozwoli to zmniejszyć ryzyko utraty kontroli, poślizgnięcia się i upadku, co mogłoby spowodować obrażenia.
- **Podczas pracy na nachylonym terenie zawsze zachowywać stabilność, poruszać się w poprzek zbocza zamiast w górę albo w dół i zachowywać wyjątkową ostrożność podczas zmiany kierunku.** Pozwoli to zmniejszyć ryzyko utraty kontroli, poślizgnięcia się i upadku, co mogłoby spowodować obrażenia.
- **Zachować wyjątkową ostrożność podczas zawracania lub ciągnięcia kosiarki w swoją stronę. Zawsze zwracać uwagę na otoczenie.** Zmniejsza to ryzyko potknięcia się podczas pracy.
- **Nie wolno dotykać ostrzy ani innych niebezpiecznych ruchomych części, gdy są one w ruchu.** Pozwoli to zmniejszyć ryzyko obrażeń spowodowanych ruchomymi częściami.

- **Przed przystąpieniem do usuwania nagromadzonego materiału lub czyszczenia kosiarki sprawdzić, czy wszystkie przełączniki zasilania są wyłączone, a akumulator został odłączony.** Niespodziewane uruchomienie kosiarki może spowodować poważne obrażenia.

Dodatkowe instrukcje dotyczące bezpieczeństwa użytkowania kosiarki


Szkolenie

- Należy dokładnie zapoznać się z instrukcjami. Należy zapoznać się z elementami sterującymi i zasadami prawidłowego użytkowania urządzenia.
- Nigdy nie zezwalać na korzystanie z urządzenia dzieciom, osobom o obniżonej sprawności fizycznej, sensorycznej lub umysłowej, osobom nieposiadającym doświadczenia i wiedzy ani osobom niezaznajomionym z niniejszą instrukcją. Lokalne przepisy mogą nakładać ograniczenia dotyczące wieku użytkownika urządzenia.
- Należy dopilnować, aby dzieci nie bawiły się produktem.
- Prace związane z czyszczeniem i konserwacją nie powinny być wykonywane przez dzieci bez odpowiedniego nadzoru.
- Nie wolno kosić trawy, gdy w pobliżu znajdują się inne osoby, zwłaszcza dzieci, lub zwierzęta domowe.
- Należy pamiętać, że operator lub użytkownik ponosi odpowiedzialność za wypadki lub zagrożenia dla innych osób lub ich mienia.

Przygotowanie

- Podczas koszenia należy zawsze nosić solidne obuwie i długie spodnie. Nie wolno obsługiwać produktu boso ani w sandałach. Unikać noszenia luźnej odzieży oraz ubrań ze zwisającymi sznurkami i wiązaniem.
- Należy dokładnie sprawdzić obszar, na którym produkt ma być używany i usunąć wszystkie przedmioty, które mogłyby zostać przez niego wyrzucone.

- Przed użyciem zawsze sprawdzać wzrokowo, czy ostrze tnące, jego śruby i zespół ostrza tnącego nie są zużyte ani uszkodzone. Zużyte lub uszkodzone ostrza tnące i śruby należy wymieniać w komplecie w celu zachowania wyważenia. Wymienić uszkodzone lub nieczytelne etykiety.

 **UWAGA! NIE DOTYKAĆ OBRACAJĄCEGO SIĘ OSTRZA TNĄCEGO.**

Użytkowanie

- Urządzenie należy użytkować wyłącznie w świetle dziennym lub przy dobrym oświetleniu sztucznym.
- Jeśli to możliwe, unikać użytkowania urządzenia na mokrej trawie.
- Zawsze dbać o stabilność na nachylonym terenie.
- W trakcie pracy z urządzeniem należy chodzić, nigdy biegać.
- Zbocza należy kosić w poprzek, nigdy w górę i w dół.
- Zachować najwyższą ostrożność podczas zmiany kierunku poruszania się na zboczach.
- Nie używać kosiarki na bardzo stromych zboczach.
- Zachować wyjątkową ostrożność podczas zawracania lub ciągnięcia produktu do siebie.
- Zatrzymać ostrza tnące, jeśli urządzenie musi zostać przechylone na czas transportu, podczas przejazdu przez powierzchnie inne niż trawa oraz podczas transportu do i z koszonego obszaru.
- Nie wolno używać produktu, jeśli osłony są uszkodzone lub nie są zamontowane urządzenia zabezpieczające, takie jak deflektory czy kosze na trawę.
- Urządzenie należy uruchamiać lub włączać, zachowując ostrożność, postępując zgodnie z instrukcjami i pamiętając o trzymaniu stóp z dala od ostrzy tnących.
- Podczas uruchamiania silnika nie przechylać urządzenia, chyba że jest to wymagane do uruchomienia. W takim przypadku nie przechylać bardziej, niż jest to absolutnie konieczne, i podnosić tylko tę część, która jest oddalona od operatora.
- Nie uruchamiać urządzenia, stojąc przed rurą wylotową.
- Nie zbliżać dłoni ani stóp do obracających się części. Nie zbliżać się do otworu wylotowego.

- Nie przenosić urządzenia z umieszczonym w nim akumulatorem.
- Wyłączyć urządzenie i wyjąć akumulator. Upewnić się, że nastąpiło całkowite zatrzymanie wszystkich ruchomych części:
 - przed każdym oddaleniem się od produktu,
 - przed przystąpieniem do usuwania przedmiotów / materiałów blokujących urządzenie lub udroźniania rury wylotowej,
 - przed przystąpieniem do kontroli, czyszczenia lub jakichkolwiek innych prac przy produkcji,
 - po uderzeniu w inny przedmiot. Sprawdzić produkt pod kątem uszkodzeń i dokonać napraw przed ponownym uruchomieniem i przystąpieniem do użytkowania produktu.
- Jeśli urządzenie zaczyna drgać w nienaturalny sposób, należy natychmiast:
 - sprawdzić je pod kątem uszkodzeń,
 - wymienić lub naprawić uszkodzone części,
 - sprawdzić, czy żadne elementy nie są poluzowane, i w razie potrzeby je dokręcić.

Konserwacja i przechowywanie

- Przed przystąpieniem do kontroli, czyszczenia lub wykonywania prac przy urządzeniu, a także po zakończeniu jego użytkowania, należy wyjąć z niego akumulator.
- Wyjąć akumulator przed przystąpieniem do konserwacji lub czyszczenia.
- Niewłaściwa konserwacja spowoduje usterkę / awarię urządzenia.
- Regularnie poddawać urządzenie kontroli i konserwacji. Wszystkie nakrętki, śruby i wkręty powinny być dobrze dokręcone, aby zapewnić bezpieczną pracę urządzenia.
- Należy często sprawdzać kosz na trawę pod kątem zużycia lub uszkodzenia.
- Podczas regulacji zachować ostrożność, aby zapobiec uwięzieniu palców między ruchomymi ostrzami a nieruchomymi elementami urządzenia.
- Przed umieszczeniem urządzenia w schowku należy poczekać, aż urządzenie ostygnie.

- Podczas serwisowania ostrzy należy pamiętać, że nawet po wyłączeniu zasilania wciąż mogą się one poruszać.
- Wymieniać zużyte lub uszkodzone części w celu zapewnienia bezpieczeństwa. Używać wyłącznie oryginalnych części zamiennych i akcesoriów.
- Czynności związane z demontażem i montażem ostrza tnącego należy wykonywać w wytrzymałych rękawicach roboczych.
- Naprawy produktu należy zlecać wyłącznie autoryzowanemu serwisowi lub odpowiednio wykwalifikowanemu specjalście.
- Nieużywane urządzenie należy przechowywać poza zasięgiem dzieci.

Dodatkowe wskazówki dotyczące bezpieczeństwa akumulatora

- **Przed użyciem akumulator wymaga naładowania.** Należy zawsze zapoznać się z instrukcją ładowarki i prawidłowo ładować akumulator.
- **Wyjąć akumulator z urządzenia, jeśli nie jest używane.**
- **Po zakończeniu ładowania nie pozostawiać akumulatora podłączonego do ładowarki.**
- **Po dłuższych okresach przechowywania konieczne może okazać się kilkukrotne naładowanie i rozładowanie akumulatora w celu uzyskania jego maksymalnej wydajności.**
- **Dłuższą żywotność i lepszą wydajność można uzyskać, jeśli akumulator jest ładowany w temperaturze otoczenia od 18 °C do 24 °C.** Nie należy ładować akumulatora w temperaturze poniżej 5 °C lub powyżej 40 °C. Jest to istotne, ponieważ może zapobiec poważnemu uszkodzeniu akumulatora.
- **Nie ładować akumulatora w mokrym lub wilgotnym miejscu.** Przestrzeganie tej zasady zmniejsza ryzyko porażenia prądem.
- **Nie rozmontowywać akumulatora i nie dopuszczać do jego mechanicznego uszkodzenia. Ryzyko powstania zwarcia i możliwość emisji oparów.** W razie odczucia dyskomfortu zapewnić dostęp świeżego powietrza i skontaktować się z lekarzem.

- **Dokonując utylizacji akumulatora, należy oddzielić od siebie akumulatory pochodzące z różnych układów elektrochemicznych.**
- Nie wolno łączyć dodatniego i ujemnego bieguna akumulatora za pomocą jakichkolwiek metalowych przedmiotów (np. drutu).
- Nie przenosić ani nie przechowywać akumulatora razem z naszyjnikami, spinkami do włosów ani innymi metalowymi przedmiotami.
- Nie przebijać akumulatora gwoździami, nie uderzać w niego młotkiem, nie stawać na akumulatorze ani w żaden inny sposób nie narażać go na silne uderzenia lub wstrząsy.
- Nie lutować niczego bezpośrednio do akumulatora.
- Nie wystawiać akumulatora na działanie wody słodkiej ani słonej i nie dopuszczać do jego zamoczenia.
- Nie rozmontowywać ani nie modyfikować akumulatora.
- Nie umieszczać akumulatora w pobliżu ognia, na piecach ani w innych miejscach o wysokiej temperaturze. Nie umieszczać akumulatora w obszarach narażonych na bezpośrednie działanie promieni słonecznych i nie używać go ani nie przechowywać wewnątrz pojazdów przy wysokiej temperaturze zewnętrznej.
- Nie umieszczać akumulatora w kuchenkach mikrofalowych, w pojemnikach wysokociśnieniowych ani na kuchenkach indukcyjnych.
- Jeśli akumulator ma być przechowywany przez dłuższy czas, należy przechowywać go w temperaturze pokojowej (od 19 °C do 25 °C), naładowany do poziomu 3 kresek na wskaźniku naładowania. W przypadku przechowywania przez bardzo długi czas należy raz na rok doładować akumulator, aby zapobiec jego nadmiernemu rozładowaniu.

Kontrola stanu zdrowia

Wszyscy pracownicy powinni być włączeni w realizowany przez pracodawcę program nadzoru stanu zdrowia, mający na celu przyczynienie się do identyfikacji wszelkich chorób wibracyjnych na ich wczesnym etapie, zapobieganie postępowi choroby oraz pomoc pracownikom w pozostaniu na rynku pracy.

Zmniejszenie drgań i hałasu

W celu ograniczenia skutków emisji hałasu oraz drgań należy ograniczyć czas korzystania z urządzenia, używać trybów emitujących niski poziom hałasu i drgań oraz stosować środki ochrony indywidualnej.

W celu zminimalizowania narażenia na działanie hałasu i drgań należy:

- Korzystać z urządzenia wyłącznie w sposób zgodny z przeznaczeniem oraz niniejszą instrukcją.
- Upewnić się, że urządzenie jest w dobrym stanie oraz należycie utrzymane.
- Używać osprzętu odpowiednio dobranego do urządzenia i upewnić się, że jest on w dobrym stanie.
- Mocno trzymać uchwyty / powierzchnię chwytu.
- Konserwować urządzenie w sposób zgodny z niniejszą instrukcją i zapewnić odpowiednie smarowanie (jeśli dotyczy).
- Zaplanować pracę w taki sposób, aby rozłożyć używanie maszyny wytwarzającej duże drgania na dłuższy czas.
- Długotrwałe użytkowanie urządzenia naraża użytkownika na drgania, które mogą powodować szereg objawów, nazywanych ogólnie zespołem wibracyjnym (chorobą wibracyjną), np. zaburzenia ukrwienia palców, a także inne schorzenia, takie jak zespół cieśni nadgarstka. Aby zmniejszyć to zagrożenie, należy zawsze podczas obsługi urządzenia używać rękawic ochronnych i utrzymywać dłonie w cieple.

Sytuacje awaryjne

Należy zapoznać się ze sposobem użytkowania produktu opisanym w niniejszej instrukcji obsługi. Należy zapamiętać wskazówki dotyczące bezpieczeństwa i przestrzegać ich podczas pracy. Pozwoli to ograniczyć ryzyko i zagrożenia.

- **Zachować koncentrację podczas używania maszyny, aby szybko rozpoznawać i eliminować zagrożenia.** Szybka reakcja pozwala zapobiec poważnym obrażeniom lub uszkodzeniu mienia.

- **W przypadku wystąpienia usterki należy wyłączyć maszynę i wyjąć z niej akumulator.** Przed ponownym przystąpieniem do użytkowania urządzenia powinno ono zostać sprawdzone i naprawione przez wykwalifikowanego specjalistę.

Inne zagrożenia

Nawet w przypadku korzystania z urządzenia zgodnie ze wszystkimi wymogami bezpieczeństwa, istnieje potencjalne ryzyko obrażeń i uszkodzenia mienia. Konstrukcja oraz sposób działania urządzenia mogą stwarzać następujące zagrożenia:














- Problemy zdrowotne spowodowane emisją drgań, jeśli produkt jest używany przez długi czas lub nieprawidłowo utrzymywany bądź konserwowany.
- Obrażenia lub uszkodzenia mienia spowodowane przez uszkodzony osprzęt lub nagłe uderzenie w niewidoczne przedmioty podczas użytkowania urządzenia.
- Obrażenia i uszkodzenia mienia spowodowane przez wyrzucone w powietrze przedmioty lub niskiej jakości akcesoria do maszyny.



OSTRZEŻENIE! PODCZAS PRACY PRODUKT WYTWARZA POLE ELEKTROMAGNETYCZNE! W NIKTÓRYCH WARUNKACH POLE TO MOŻE POWODOWAĆ ZAKŁÓCENIA DZIAŁANIA AKTYWNYCH LUB PASYWNYCH IMPLANTÓW MEDYCZNYCH! W CELU ZMNIEJSZENIA RYZYKA POWAŻNYCH LUB ŚMIERTELNYCH OBRAŻEŃ ZALECA SIĘ, ABY PRZED PRYZYSTĄPIENIEM DO UŻYWANIA PRODUKTU OSOBY POSIADAJĄCE IMPLANTY MEDYCZNE SKONSULTOWAŁY SIĘ ZE SWOIM LEKARZEM ORAZ PRODUCENTEM IMPLANTU!

Symbole

Na produkcie, tabliczce znamionowej oraz w niniejszej instrukcji występują między innymi następujące symbole i skróty. Należy się z nimi zapoznać, aby ograniczyć ryzyko odniesienia obrażeń i uszkodzenia mienia.

V 	Wolt, (napięcie prądu stałego)	mAh	Miliamperogodzina
/min lub min ⁻¹	Na minutę	°C	Stopień Celsjusza
n ₀	Prędkość obrotowa bez obciążenia	L	Litr
g	Gram	kg	Kilogram
mm	Milimetr	cm	Centymetr
m	Metr	A	Amper
dB(A)	Decybel (częstotliwościowa charakterystyka korekcyjna A)	m/s ²	Metry na sekundę do kwadratu
	Zablokowanie / zaciśnięcie lub zabezpieczenie.		Odblokowanie / poluzowanie.
 	Należy zapoznać się z instrukcją obsługi.		Wskazówka / komentarz.
			Przeostrożność / ostrzeżenie.
yyWxx	Kod daty produkcji: rok (20yy) oraz tydzień (Wxx) produkcji.		
IPX1	Ochrona przed pionowo spadającymi kroplami wody.		
	Zawsze stosować środki ochrony słuchu.		
	Zawsze stosować środki ochrony oczu.		
	Nosić maskę przeciwpyłową.		
	Nosić rękawice ochronne.		
	Nosić antypoślizgowe obuwie ochronne.		
	Nosić dobrze dopasowaną odzież ochronną.		



OSTRZEŻENIE — przed przystąpieniem do konserwacji wyjąć zabezpieczenie!

Przed rozpoczęciem montażu, czyszczenia, regulacji, konserwacji, przechowywania i transportu wyłączyć maszynę i odłączyć akumulator.



OSTRZEŻENIE — przed konserwacją należy odłączyć akumulator.



Maszyna spełnia wymagania klasy ochrony III.



Nie narażać urządzenia na działanie deszczu ani wilgoci.



Zbocza należy kosić w poprzek, nigdy w górę i w dół.



Sprawdzić obszar, w którym ma być używany produkt, i usunąć wszystkie przedmioty, które mogą zostać przez niego wyrzucone. Jeśli w trakcie pracy operator znajdzie wcześniej niezauważone przedmioty, należy zatrzymać silnik i usunąć je.



OSTRZEŻENIE — uważać na odrzucane przedmioty — zachować odpowiednią odległość od osób postronnych!

Obiekty wyrzucane przez produkt mogą uderzyć operatora lub osoby postronne. Podczas pracy należy zawsze upewnić się, że inne osoby oraz zwierzęta znajdują się w bezpiecznej odległości od produktu. Dzieci nie powinny zbliżać się do obszaru, w którym znajduje się produkt.



OSTRZEŻENIE — trzymać dłonie i stopy z dala od ostrzy!

Niebezpieczeństwo odniesienia obrażeń! Podczas czyszczenia, naprawy lub kontroli należy upewnić się, że ostrze tnące i wszystkie ruchome części zatrzymały się.



NIEBEZPIECZEŃSTWO — nie zbliżać dłoni i stóp!



Ostrze tnące obraca się jeszcze po wyłączeniu produktu. Przed dotknięciem produktu należy odczekać, aż wszystkie elementy maszyny całkowicie się zatrzymają.



Zachować szczególną uwagę podczas wykonywania czynności przy ostrzu tnącym!



Kosz na trawę jest gotowy do napełniania trawą.



Kosz na trawę jest pełny — należy go opróżnić.



Nie otwierać tylnej osłony deflektora, gdy pracuje silnik.



Tylna osłona deflektora musi pozostać zamknięta, gdy pracuje silnik.



Gwarantowana wartość ciśnienia akustycznego: 88 dB(A).



Symbol ZSEE. Zużytych produktów elektrycznych nie należy wyrzucać z odpadami komunalnymi. Należy je przekazać do recyklingu w przeznaczonych do tego miejscach. Aby uzyskać informacje dotyczące recyklingu, należy skontaktować się z lokalnymi władzami lub punktem sprzedaży.



Przekreślony kosz na śmieci. Baterii i akumulatorów nie należy wyrzucać z odpadami komunalnymi. Należy je przekazać do recyklingu w przeznaczonych do tego miejscach. Aby uzyskać informacje dotyczące recyklingu, należy skontaktować się z lokalnymi władzami lub punktem sprzedaży.



Nie wyrzucać akumulatorów do rzek ani nie zanurzać w wodzie.



Nie wrzucać akumulatorów do ognia. Mogą spowodować wybuch i obrażenia.



Nie wystawiać akumulatorów na działanie temperatury powyżej 40 °C.

Nie ładować ani nie przechowywać akumulatora w temperaturze poniżej 5 °C (41 °F) oraz powyżej 40 °C (104 °F).



Produkt jest zgodny z obowiązującymi dyrektywami europejskimi — przeprowadzono ocenę zgodności w tym kierunku.

Dane techniczne

Informacje ogólne

- > **Napięcie znamionowe** : 36 V
- > **Znamionowa prędkość obrotowa bez obciążenia n_0** : 3200 min⁻¹
- > **Szerokość koszenia** : 38 cm
- > **Zakres wysokości koszenia** : 25–75 mm, 6 poziomów
- > **Pojemność kosza na trawę** : 45 L
- > **Klasa ochrony** : Zasilanie bateryjne / akumulatorowe
- > **Stopień ochrony** : IPX1
- > **Rozmiar kół** : Ø 160 x 40 mm (przednie koło)
Ø 180 x 40 mm (tylne koło)
- > **Waga** : ok. 16,85 kg
- > **Wymiary** : ok. 134 x 44 x 100 cm

Akumulator

- > **Nr modelu** : MDVB36-4 / TTB812BAT / MCT1239BAT / TTT1240BAT
- > **Typ** : litowo-jonowy, 10 ogniw INR 21700
- > **Pojemność** : 4 / 8 Ah
- > **Napięcie** : 36 / 18 V
- > **Waga** : ok. 1,05 kg

Ładowarka do akumulatora

- > Nr modelu : MFC36 / TTB815CHR / MCB1241CHR / TTB1242CHR
- > Znamionowe parametry wyjściowe : 21 V , 8 A



UWAGA: Ta kosiarka 36 V wymaga akumulatora dwunapięciowego 36 / 18 V, modele podano powyżej.

Zakres temperatur otoczenia podczas użytkowania i przechowywania narzędzi i akumulatorów: 5–40 °C

Zakres temperatur otoczenia podczas ładowania z użyciem systemu ładowania: 5–40 °C

Wartości akustyczne

- > Poziom ciśnienia akustycznego L_{pA} : 78,77 dB(A)
- > Niepewność K_{pA} : 3 dB(A)
- > Zmierzony poziom mocy akustycznej L_{WA} : 86,92 dB(A)
- > Niepewność K_{WA} : 0,63 dB(A)
- > Gwarantowany poziom mocy akustycznej L_{WA} (zgodnie z dyrektywą 2000/14/WE zmienioną dyrektywą 2005/88/WE) : 88 dB(A)

Wartości drgań

- > Drgania przenoszone na rękę i ramię $a_{h,W}$: 0,346 m/s²
- > Niepewność K : 1,5 m/s²

Wartości akustyczne zostały określone zgodnie z przepisami dotyczącymi badania hałasu określonymi w normach EN 62841-1, EN IEC 62841-4-3, w oparciu o podstawowe normy EN ISO 3744.

Poziom natężenia dźwięku dla operatora może przekraczać wartość 80 dB(A), dlatego konieczne jest stosowanie środków ochrony słuchu. Deklarowane łączne wartości drgań oraz deklarowane wartości emisji hałasu zostały zmierzone zgodnie ze standardową metodologią (EN 62841-1, EN IEC 62841-4-3) i mogą być wykorzystywane do porównywania maszyn, a także do wstępnej oceny stopnia narażenia.



OSTRZEŻENIE! POZIOM EMISJI DRGAŃ I HAŁASU W TRAKCIE FAKTYCZNEGO UŻYTKOWANIA MASZYNY MOŻE ODBIEGAĆ OD ZADEKLAROWANEJ ŁĄCZNEJ WARTOŚCI W ZALEŻNOŚCI OD SPOSOBÓW KORZYSTANIA Z MASZYNY, A ZWŁASZCZA OD RODZAJU OBRABIANEGO ELEMENTU.

NALEŻY WSKAZAĆ ŚRODKI BEZPIECZEŃSTWA CHRONIĄCE OPERATORA W OPARCIU O OCENĘ NARAŻENIA W RZECZYWISTYCH WARUNKACH UŻYTKOWANIA (Z UWZGLĘDNIENIEM WSZYSTKICH ELEMENTÓW CYKLU PRACY, TAKICH JAK PRZEDZIAŁY CZASU, W KTÓRYCH MASZYNA JEST WYŁĄCZONA ORAZ W KTÓRYCH PRACUJE NA BIEGU JAŁOWYM, OPRÓCZ MOMENTU WŁĄCZENIA).

Objaśnienie tabliczki znamionowej

Kosiarka: MCT1191LWM
MCT = MAC Allister (marka)
1191 = Kod sekwencyjny
LWM = Kosiarka

Kosiarka: TTT1192LWM
TTT = TITAN (marka)
1192 = Kod sekwencyjny
LWM = Kosiarka

PL Przygotowanie

Rozpakowanie



UWAGA: Maszyna jest ciężka, w razie konieczności należy poprosić o pomoc drugą osobę.

1. Odpakować wszystkie części i ułożyć je na płaskiej, stabilnej powierzchni.
2. Usunąć wszystkie materiały opakowaniowe i zabezpieczenia transportowe (jeśli dotyczy).
3. Upewnić się, że zostały dostarczone wszystkie elementy, oraz że nie są one uszkodzone. W przypadku stwierdzenia braku lub uszkodzenia części nie używać urządzenia i skontaktować się ze sprzedawcą. Używanie niekompletnego lub uszkodzonego produktu stwarza zagrożenie dla ludzi oraz mienia.
4. Upewnić się, że dostępne są wszystkie akcesoria i narzędzia wymagane do montażu i obsługi. Dotyczy to również środków ochrony indywidualnej.



OSTRZEŻENIE! MASZYNA ANI JEJ OPAKOWANIE NIE SĄ ZABAWKAMI DLA DZIECI! NIE POZWALAĆ DZIECIOM NA ZABAWĘ WÓRKAMI Z TWORZYWA SZTUCZNEGO, FOLIĄ ANI MAŁYMI CZĘŚCIAMI! ISTNIEJE RYZYKO ZADŁAWIENIA ORAZ UDUSZENIA!

Będziesz potrzebować

(elementy nienależące do zestawu)

Odpowiednie środki ochrony indywidualnej
Odpowiedni klucz
Odpowiedni olej smarujący
Akumulator (24) do prod. nr EAN 5063022638076 i 5063022637567
Ładowarka (25) do prod. nr EAN 5063022638076 i 5063022637567

(elementy znajdujące się w zestawie)

Kosz (7)
Ostrze tnące (22)
Wkładka mulcząca (23)



UWAGA: Wymagane akcesoria zależą od zamierzonego zastosowania. W razie potrzeby zasięgnąć porady u sprzedawcy.



OSTRZEŻENIE! MASZYNĘ NALEŻY CAŁKOWICIE ZMONTOWAĆ PRZED UŻYCIEM!



NIE NALEŻY UŻYWAĆ MASZYNY, KTÓRA NIE JEST CAŁKOWICIE ZMONTOWANA LUB ZOSTAŁA ZMONTOWANA Z WYKORZYSTANIEM USZKODZONYCH ELEMENTÓW!



PRZED PRYZYSTĄPIENIEM DO MONTAŻU UMIEŚCIĆ MASZYNĘ NA PŁASKIEJ, STABILNEJ POWIERZCHNI I ZAŁOŻYĆ RĘKAWICE OCHRONNE.

POSTĘPOWAĆ ZGODNIE Z POSZCZEGÓLNYMI KROKAMI INSTRUKCJI MONTAŻU I KORZYSTAĆ Z DOŁĄCZONYCH RYSUNKÓW STANOWIĄCYCH GRAFICZNE WSKAZÓWKI UŁATWIAJĄCE MONTAŻ PRODUKTU!

PRZED UŻYCIEM MASZYNY NALEŻY SIĘ ZAPOZNAĆ Z FUNKCJAMI ROBOCZYMI I PRZECZYTAĆ CAŁĄ INSTRUKCJĘ OBSŁUGI, ZWRACAJĄC SZCZEGÓLNA UWAGĘ NA ZASADY BEZPIECZEŃSTWA I PROCEDURY ROBOCZE.

NIE PODŁĄCZAĆ URZĄDZENIA DO AKUMULATORA (24) DOPÓKI NIE JEST CAŁKOWICIE ZMONTOWANE!

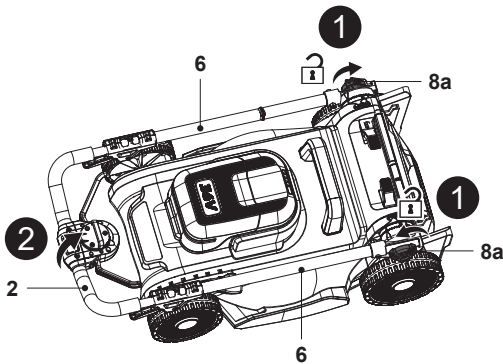


UWAGA: Postępować ostrożnie z małymi częściami wymontowywanymi podczas montażu lub regulacji. Należy uważać, aby ich nie zgubić.

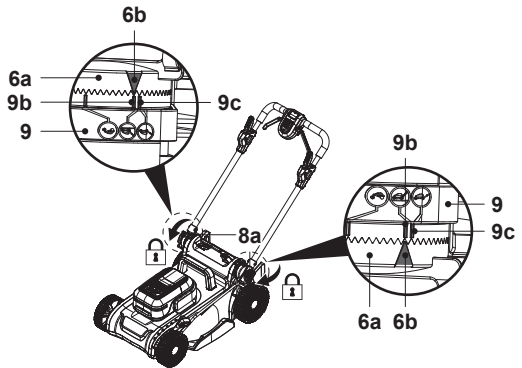
W razie konieczności poprosić drugą osobę o pomoc przy montażu urządzenia.

Montaż uchwytu

1. Ustawić maszynę na płaskiej i równej powierzchni.
2. Poluzować dwa pokręta blokujące (8a) na dolnych uchwytach (6) poprzez obrócenie w lewo, ale nie wykręcać. (rys.1, krok 1).
3. Przytrzymać uchwyt (2) jedną ręką i rozłożyć zespół uchwytu (4, 6) (rys. 1, krok 2).
4. Wyrównać trójkątny wskaźnik (6b) na obrotowej płytce (6a) z jednym ze wskaźników wysokości uchwytu (9b/9c) na wsporniku uchwytu (9), następnie zabezpieczyć zespół dolnego uchwytu (4, 6) poprzez dokręcenie pokręteł (8a) (rys. 2).
5. Sprawdzić, czy oba dolne drążki uchwytu (6) są zamontowane na tej samej wysokości po obu stronach.
6. Upewnić się, że linka sterująca (20) biegnie po wierzchniej stronie uchwytu dolnego (6).



Rys. 1



Rys. 2

7. Otworzyć dwie dźwignie blokujące (5), a następnie chwycić za uchwyt (2) i stopniowo wysunąć górny uchwyt (4), aż do końca (rys. 3, kroki 1, 2).

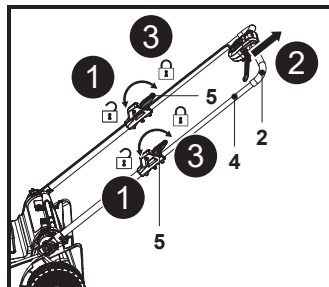


OSTRZEŻENIE! DELIKATNIE POCIĄGNAĆ LUB POPCHNAĆ GÓRNY UCHWYT (4). NIE NALEŻY ROBIĆ TEGO GWAŁTOWNIE!



UWAGA: Kosiarki należy używać wyłącznie z górnym uchwytem (4) wyciągniętym do końca! Nie używać kosiarki z uchwytem górnym (4) w położeniu środkowym.

8. Zamknąć obie dźwignie blokujące (5) i sprawdzić, czy górny uchwyt (5) jest zablokowany (rys. 3, krok 3).

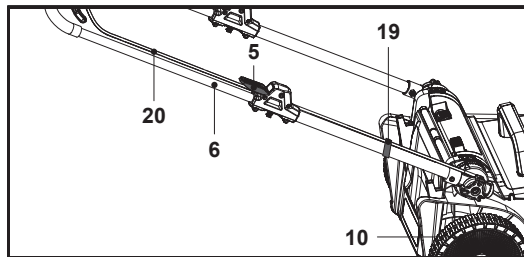


Rys. 3



OSTRZEŻENIE! PRZED UŻYCIEM MASZYNY SPRAWDZIĆ, CZY OBIE DŹWIGNIE BLOKUJĄCE (5) SĄ DOBRZE ZAMOCOWANE.

- Zamocować linkę sterującą (20) w zaciskach do linki (19), które mogą być zainstalowane fabrycznie na uchwycie dolnym (6) (rys. 4).

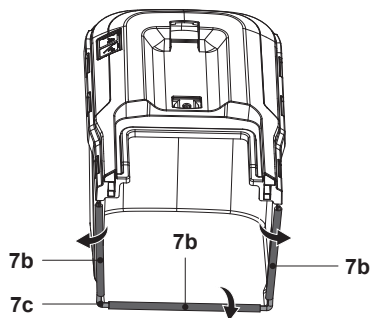


Rys. 4

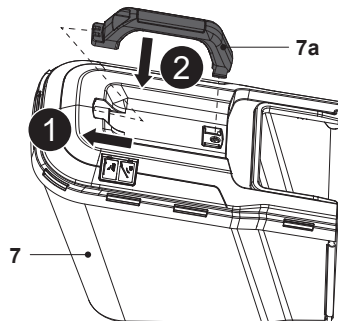
- Sprawdzić stan linki sterującej (20) i trzymać ją z dala od tylnego koła (10).

Kosz na trawę

- Przypiąć trzy gumowe zaciski (7b) do pręta podtrzymującego (7c) kosza na trawę (7) (rys. 5).
- Zamontować uchwyt do noszenia (7a) w dwóch otworach montażowych w górnej ramie kosza na trawę (7), pilnując zachowania prawidłowej orientacji (rys. 6).
- Przed użyciem upewnić się, że uchwyt do noszenia (7a) jest prawidłowo zamontowany.
- Otworzyć i przytrzymać tylną osłonę deflektora (18) (rys. 7, krok 1).
- Przenieść kosz na trawę (7) za uchwyt do noszenia (7a).

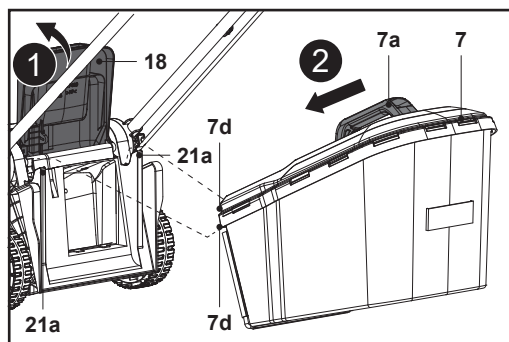


Rys. 5



Rys. 6

- Wyrównać dwa zaczepy kosza na trawę (7d) z otworami (21a) i zawiesić na nich kosz (7) (rys. 7, krok 2).
- Następnie ostrożnie opuścić tylną osłonę deflektora (18).



Rys. 7



UWAGA: Kosz na trawę (7) należy zawsze przenosić trzymając za uchwyt do noszenia (7a). Przed zawieszeniem kosza na trawę (7) na haczykach należy sprawdzić, czy w tylnej rurze wylotowej (21) nie znajduje się wkładka mulcząca (23). Wkładkę mulczującą (23) należy wyjąć przed zamontowaniem kosza na trawę (7).

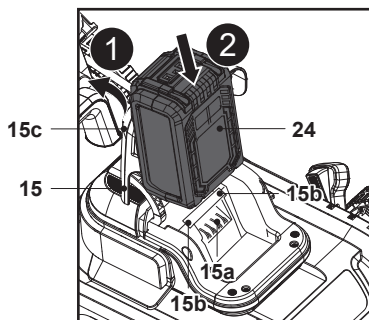


UWAGA: Na czas korzystania z kosza na trawę (7) należy wyjąć wkładkę mulczującą (23).

Akumulator

Podłączanie akumulatora

1. Unieść pokrywę magnetyczną (15c) i otworzyć pokrywę komory akumulatora (15) (rys. 8, krok 1).
2. Ustawić akumulator (24) w jednej linii z dwoma prowadnicami (15b) i wsunąć akumulator (24), aby go zamocować (rys. 8, krok 2).
3. Styki elektryczne (15a) muszą zostać w pełni wsunięte w akumulator (24), a akumulator musi kliknąć.
4. Akumulator (24) można zamontować tylko w jednym ułożeniu.
5. Ostrożnie zamknąć pokrywę komory akumulatora (15).

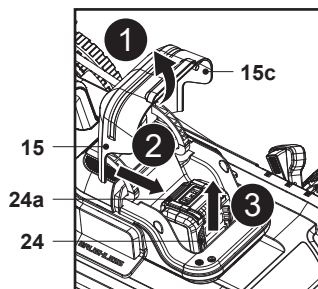


Rys. 8

Demontaż akumulatora

Akumulatorów (24) nie można ładować, gdy znajdują się w kosiarce. Aby naładować akumulator (24), należy wyjąć go z komory akumulatora.

1. Unieść pokrywę magnetyczną (15c) i otworzyć pokrywę komory akumulatora (15) (rys. 9, krok 1).
2. Nacisnąć przycisk zwalniający (24a), aby odblokować zatrzask akumulatora (24) (rys. 9, krok 2).
3. Wysunąć akumulator (24) z komory akumulatora (rys. 9, krok 3).
4. Ostrożnie zamknąć pokrywę komory akumulatora (15).



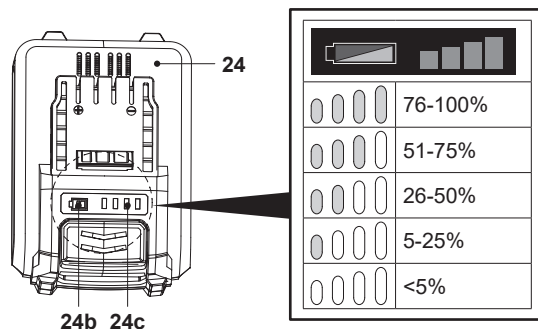
Rys. 9

Ładowanie akumulatora

Akumulator (24) jest dostarczany w stanie niskiego poziomu naładowania. Przed pierwszym użyciem niezbędne jest pełne naładowanie. Szczegółowe informacje podano w instrukcji obsługi ładowarki.

Wskaźniki poziomu naładowania akumulatora

Akumulator (24) jest wyposażony we wskaźniki naładowania (24c), które wskazują poziom jego naładowania. Aby sprawdzić poziom naładowania akumulatora, należy nacisnąć przycisk kontroli poziomu jego naładowania (24b) (rys. 10). Diody LED zapalą się na około 3 sekundy.



Rys. 10

PL Funkcje i ustawienia

Przeznaczenie produktu

Ta kosiarka akumulatorowa jest urządzeniem zasilanym prądem o napięciu znamionowym 36 V --- . Do zasilania może służyć wyłącznie akumulator wymieniony w rozdziale „Dane techniczne”.

Maszyna jest przeznaczona wyłącznie do koszenia trawników przydomowych. Nie może służyć do koszenia wyjątkowo wysokiej, suchej lub mokrej trawy, np. na pastwisku, ani do rozdrabniania liści.

Zabrania się korzystania z maszyny w czasie opadów deszczu lub w warunkach wysokiej wilgotności.

Ze względów bezpieczeństwa bardzo ważne jest zapoznanie się z całą instrukcją obsługi przed rozpoczęciem użytkowania produktu oraz przestrzeganie wszystkich zawartych w niej wytycznych.

Maszyna jest przeznaczona tylko do zastosowań domowych, nie do zastosowań komercyjnych. Nie należy go używać do celów innych niż wskazane.

Regulacja wysokości uchwytu

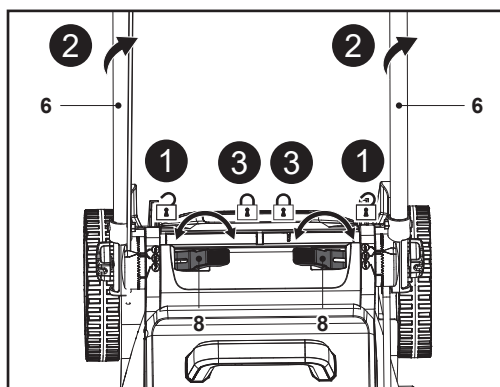


OSTRZEŻENIE! WYŁĄCZYĆ MASZYNĘ I WYJĄĆ AKUMULATOR (24). PRZED PRYZYSTĄPIENIEM DO REGULACJI WYSOKOŚCI UCHWYTU NALEŻY ZACZEKAĆ, AŻ OSTRZE (22) CAŁKOWICIE SIĘ ZATRZYMA!



Dostosować wysokość uchwytu do swoich preferencji. Do wyboru są dwie wysokości uchwytu.

1. Przytrzymać uchwyt (4, 6) jedną ręką.
2. Otworzyć dwie dźwignie zaciskowe (8) drugą ręką, a następnie obrócić uchwyt (4, 6) do położenia odpowiadającego wysokości drugiego uchwytu (rys. 11, kroki 1, 2).
3. Upewnić się, że trójkątny wskaźnik (6b) jest wyrównany ze wskaźnikiem wysokości uchwytu (9b/9c), a następnie zamknąć obie dźwignie zaciskowe (8) w celu zamocowania uchwytu (4, 6) (rys. 11, krok 3).
4. Upewnić się, że zespół uchwytu (4, 6) jest ustawiony po obu stronach na tej samej wysokości.



Rys. 11

Regulacja wysokości koszenia



OSTRZEŻENIE! WYŁĄCZYĆ MASZYNĘ I WYJĄĆ AKUMULATOR (24). PRZED PRYZYSTĄPIENIEM DO REGULACJI WYSOKOŚCI KOSZENIA NALEŻY ZACZEKAĆ, AŻ OSTRZE (22) CAŁKOWICIE SIĘ ZATRZYMA!



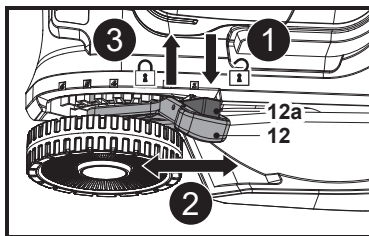
UPEWNIĆ SIĘ, ŻE DŹWIGNIA JEST ZACZEPIONA POMIĘDZY DWOMA WYSTĘPAMI!

PRZED PIERWSZYM KOSZENIEM W SEZONIE NALEŻY WYBRAĆ ODPOWIEDNIĄ WYSOKOŚĆ KOSZENIA. NIE NALEŻY WYBIERAĆ MAŁEJ WYSOKOŚCI KOSZENIA, JEŚLI TRAWA JEST DŁUGA I ŚLISKA, PONIEWAŻ MOŻE TO UTRUDNIĆ PRAWIDŁOWE URUCHOMIENIE SILNIKA.

PRZED URUCHOMIENIEM KOSIARKI SPRAWDZIĆ WYSOKOŚĆ TRAWY. JEŚLI TRAWA JEST ZBYT WYSOKA, KOSIARKA NIE URUCHOMI SIĘ. NASTĘPNIE ZWIĘKSZY WYSOKOŚĆ KOSZENIA. FUNKCJA TA ZAPEWNIĄ OCHRONĘ SILNIKA I WYDŁUŻA ŻYWOTNOŚĆ AKUMULATORA.

Wyregulować wysokość koszenia trawnika według własnych potrzeb i preferencji. Wysokość koszenia zależy od rodzaju trawnika i rzeczywistej wysokości trawy. Podczas koszenia wysokiej trawy należy zacząć od maksymalnej wysokości, a następnie wykonać kolejne koszenie na mniejszej wysokości.

1. Nacisnąć i przytrzymać przycisk blokady (12a) (rys. 12, krok 1).
2. Przesunąć dźwignię (12) do przodu lub do tyłu, aby wyregulować wysokość koszenia (rys. 12, krok 2).
3. Zwolnić przycisk (12a) i sprawdzić, czy dźwignia (12) jest dobrze osadzona w wycięciu (rys. 12, krok 3).



Rys. 12



OSTRZEŻENIE! PO KAŻDEJ REGULACJI NALEŻY SPRAWDZIĆ, CZY DŹWIGNIA (12) JEST OSADZONA W SZCZELINIE.



UWAGA: Wysokość koszenia można regulować w 6 krokach w zakresie od 25 mm do 75 mm.

Liczbowe wartości wysokości koszenia należy traktować tylko jako wskazówkę. W zależności od warunków trawnika lub podłoża rzeczywista wysokość trawy może nieznacznie odbiegać od ustawionej wysokości.

Kosz na trawę



OSTRZEŻENIE! W PRZYPADKU ZBIERANIA TRAWY NIE UŻYWAĆ MASZYNY BEZ ZAMONTOWANEGO KOSZA NA TRAWĘ (7) — NIEBEZPIECZEŃSTWO WYRZUCANIA PRZEDMIOTÓW!

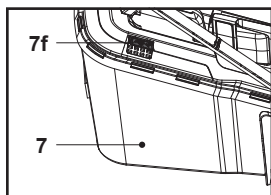
WYŁĄCZYĆ MASZYNĘ I WYJĄĆ AKUMULATOR (24). PRZED PRZYSTĄPIENIEM DO ZDEJMOWANIA KOSZA NA TRAWĘ (7) NALEŻY ZACZEKAĆ, AŻ OSTRZE (22) CAŁKOWICIE SIĘ ZATRZYMA!

1. Przed każdym użyciem maszyny z zamiarem zbierania skoszonych traw należy zamontować kosz na trawę (7) zgodnie z opisem w sekcji „Montaż — Kosz na trawę”.
2. Kosz na trawę należy zawsze przenosić (7) trzymając za uchwyt (7a).

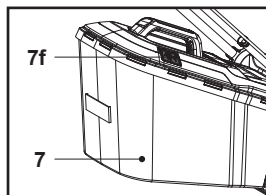
Wskaźnik

Kosz na trawę (7) jest wyposażony w klapkę (7f), która podczas pracy wskazuje poziom zapelnienia kosza.

1. Gdy klapka (7f) jest otwarta, w koszu na trawę (7) jest wystarczająco dużo miejsca na gromadzenie trawy (rys. 13).
2. Gdy klapka (7f) jest zamknięta, kosz na trawę (7) jest pełny i należy go opróżnić (rys. 14).



Rys. 13



Rys. 14

Opróżnianie



OSTRZEŻENIE! PRZED PRZYSTĄPIENIEM DO ZDEJMOWANIA KOSZA NA TRAWĘ (7) NALEŻY WYŁĄCZYĆ MASZYNĘ, WYMONTOWAĆ AKUMULATOR (24) ORAZ ODCZEKAĆ, AŻ OSTRZE TNĄCE (22) CAŁKOWICIE SIĘ ZATRZYMA!

Podczas pracy często opróżniać kosz na trawę (7). Nie czekać do czasu całkowitego zapelnienia. Zalecamy opróżniać przy 90% zapelnienia lub gdy na trawniku widać ślad wysypującej się trawy.



UWAGA: Pełny kosz na trawę (7) zmniejsza wydajność maszyny.

1. Podnieść i przytrzymać tylną osłonę deflektora (18).
2. Wyjąć zaczepy (7d) kosza na trawę z otworów (21a) i wyjąć kosz na trawę (7).
3. Zebrać ścinki trawy z tylnej rury wylotowej (21) do kosza na trawę (7). Użyć odpowiedniego narzędzia, np. szczotki.
4. Wyjąć kosz na trawę (7), trzymając go za uchwyt do przenoszenia (7a).
5. Wysypać ścinki trawy na kompost (7a, 7e).
6. Zamontować kosz na trawę (7) z powrotem w maszynie, sprawdzając czy zaczepy (7d) są prawidłowo osadzone w otworach (21a) zgodnie z opisem w sekcji „Montaż — kosz na trawę”.



OSTRZEŻENIE! NIE WOLNO UŻYWAĆ RĄK ANI STÓP DO USUWANIA ŚCINKÓW TRAWY Z TYLNEJ RURY WYLOTOWEJ (21)!

Wkładka mulcząca

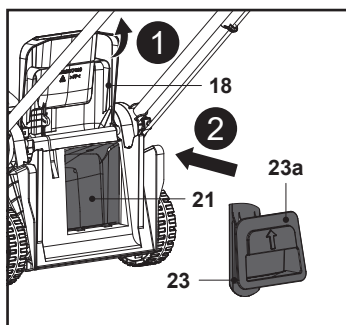
Wkładka mulcząca (23) uniemożliwia zbieranie skoszonej trawy, blokując tylną rurę wylotową (21). Ścinki trawy pozostają wtedy na trawniku.



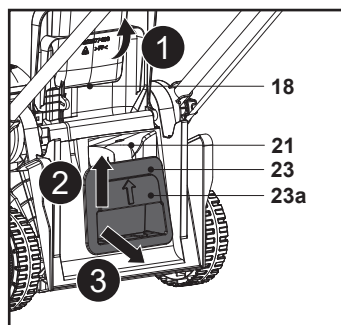
UWAGA: Mulczowanie oznacza koszenie i pozostawianie ścinków trawy na trawniku: ścinki są bardzo drobno cięte i równomiernie rozrzucone. W normalnych warunkach mulcz szybko ulegnie biodegradacji i dostarczy trawnikowi substancji odżywczych.

Nie należy jednocześnie montować kosza na trawę (7) i wkładki mulczącej (23).

1. Otworzyć osłonę deflektora (18), przytrzymać zagłębiony uchwyt (23a) i włożyć wkładkę mulcząca (23) do tylnej rury wylotowej (21), dociskając ją do końca (rys. 15).
2. Unieść zagłębiony uchwyt (23a) i wyciągnąć wkładkę mulcząca (23) z tylnej rury wylotowej (21), a następnie wyjąć wkładkę mulcząca (23) (rys. 16).



Rys. 15



Rys. 16

System ochrony maszyny / akumulatora

Kosiarka posiada wbudowany system ochrony. Automatycznie odcina on zasilanie silnika, aby wydłużyć żywotność narzędzia i akumulatora. Podczas pracy kosiarka zatrzyma się automatycznie, jeśli wystąpi któryś z następujących warunków.

Zabezpieczenie przed przeciążeniem

Gdy warunki pracy maszyny powodują nienormalnie wysoki pobór prądu, maszyna zatrzymuje się automatycznie bez wcześniejszego zasygnalizowania. W takiej sytuacji należy wyłączyć maszynę i zakończyć czynność powodującą jej przeciążenie. Następnie uruchomić maszynę ponownie.

Zabezpieczenie przed przegrzaniem

Gdy akumulator przegrzeje się, wyłącza się automatycznie. Przed ponownym włączeniem kosiarki należy odczekać, aż ostygnie.

Ochrona przed nadmiernym rozładowaniem

Gdy poziom naładowania akumulatora staje się niski, kosiarka automatycznie wyłącza się. Jeśli produkt nie działa nawet po użyciu przełączników, wyjąć akumulatory z urządzenia i naładować je.

Ogólne zasady użytkowania

1. Przed każdym użyciem należy sprawdzić, czy maszyna, jej akumulator lub ładowarka oraz akcesoria nie są uszkodzone. Nie używać urządzenia, jeśli jest ono uszkodzone lub wykazuje oznaki zużycia. W przypadku stwierdzenia problemów należy podjąć odpowiednie działania lub zlecić sprawdzenie maszyny przez wykwalifikowanego specjalistę.
2. Sprawdzić dokładnie, czy akcesoria i osprzęt są prawidłowo zamocowane.
3. Maszynę zawsze pchać trzymając za uchwyt (2). Ze względów bezpieczeństwa uchwyty powinny być zawsze suche.
4. Dbać, aby otwory wentylacyjne (16b) były zawsze drożne i czyste. W razie potrzeby oczyścić je za pomocą szczotki z miękkim włosiem. Niedrożność otworów wentylacyjnych może doprowadzić do przegrzania i uszkodzenia urządzenia.
5. W przypadku zakłócenia pracy przez inne osoby wchodzące w obszar roboczy należy natychmiast wyłączyć maszynę i wyjąć akumulator (24). Należy poczekać na całkowite wyłączenie urządzenia przed pozostawieniem go bez nadzoru.
6. Nie przepracowywać się. Zachowywać regularne przerwy, aby utrzymać odpowiednią koncentrację podczas pracy i pełną kontrolę nad maszyną.

Uruchamianie / zatrzymywanie



OSTRZEŻENIE! PRZED URUCHOMIENIEM NALEŻY UMIEŚCIĆ MASZYNĘ NA PŁASKIEJ POWIERZCHNI BEZ WYSOKIEJ TRAWY!



OCZYŚCIĆ SPÓD URZĄDZENIA!

SILNIK URUCHAMIAĆ Z ZACHOWANIEM OSTROŻNOŚCI I ZGODNIE Z INSTRUKCJAMI. NIE ZBLIŻAĆ STÓP DO OSTRZA TNĄCEGO (22)!

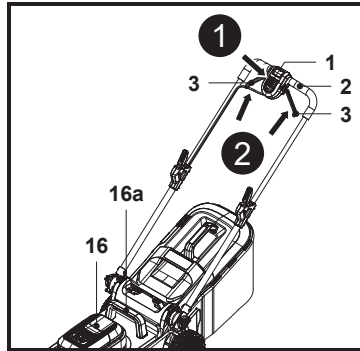
PODCZAS URUCHAMIANIA SILNIKA NIE NALEŻY PRZECZYLAĆ MASZYNY.

Uruchamianie



UWAGA: Aby uruchomić maszynę, należy nacisnąć przełącznik bezpieczeństwa (1), a następnie ścisnąć dźwignie uruchamiania (3). Wykonanie tych czynności w odwrotnej kolejności nie spowoduje uruchomienia urządzenia.

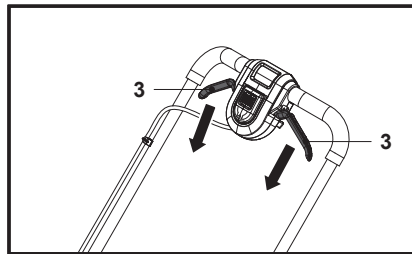
1. Unieść pokrywę magnetyczną (15c) i otworzyć pokrywę komory akumulatora (15), następnie wsunąć do końca akumulator (24).
2. Ostrożnie zamknąć pokrywę komory akumulatora (15).
3. Stać za uchwytem (2).
4. Nacisnąć i przytrzymać przełącznik (1), a następnie pociągnąć dźwignie uruchamiania (3) w stronę uchwytu (2) i przytrzymać je w tym położeniu (rys. 17, kroki 1, 2).
5. Po uruchomieniu kosiarki zwolnić przełącznik bezpieczeństwa (1).
6. Na wyświetlaczu akumulatora (16a) z tyłu pokrywy silnika (16) zostanie wyświetlona informacja o aktualnym stanie naładowania akumulatora.
7. Pchnąć maszynę do przodu i rozpocząć koszenie.



Rys. 17

Zatrzymanie

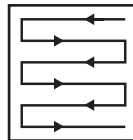
Puścić dźwignie uruchamiania (3), aby wyłączyć silnik i zatrzymać ostrze tnące (22) (rys. 18).



Rys. 18

Koszenie

1. Upewnić się, że na trawniku nie ma kamieni, patyków, drutów ani innych obiektów, które mogłyby uszkodzić maszynę lub jej ostrze.
2. Nie kosić mokrej trawy, ponieważ przywiera ona do podwozia maszyny, co uniemożliwia prawidłowe odprowadzanie ścinków oraz może być przyczyną poślizgnięcia się i upadku.
3. Aby uzyskać piękny trawnik, nie należy ścinać więcej niż jedną trzecią całkowitej długości trawy. Jesienią należy kosić trawnik do czasu, aż przestanie on rosnąć.
4. Powoli pchać maszynę do przodu.
5. Kosić w lekko zachodzących na siebie rzędach. Najbardziej efektywnym sposobem koszenia jest koszenie w liniach prostych wzdłuż jednej z krawędzi trawnika. Pozwala to uzyskać równe rzędy oraz uniknąć pominięcia niektórych fragmentów trawnika (rys. 19).



Rys. 19

6. Należy omijać rabaty kwiatowe. Po dotarciu do rabaty kwiatowej na środku trawnika należy skosić jeden lub dwa rzędy dookoła niej.
7. Zachować szczególną ostrożność podczas zmiany kierunku jazdy.
8. Regularnie opróżniać kosz na trawę (7).



OSTRZEŻENIE! JEŚLI MASZYNA UDERZY W JAKIŚ PRZEDMIOT, NALEŻY NATYCHMIAST SIĘ ZATRZYMAĆ! POCZEKAĆ AŻ MASZYNA OSTYGNIE, A NASTĘPNIE DOKŁADNIE SPRAWDZIĆ JĄ POD KĄTEM USZKODZEŃ! NAPRAWIĆ WSZELKIE USZKODZENIA PRZED PONOWNYM URUCHOMIENIEM!



NADMIERNE DRGANIA MASZYNY PODCZAS PRACY SĄ OZNAKĄ USZKODZENIA! MASZYNĘ NALEŻY NIEZWŁOCZNIE SPRAWDZIĆ I NAPRAWIĆ!

9. Przygotować maszynę odpowiednio do zadania.

Funkcja	Kosz na trawę	Wkładka mulczująca
Zbieranie trawy	zamontowana	wymontowany
Mulczowanie	wymontowany	włożona

Zbieranie trawy

- Wyjąć wkładkę mulczującą (23) i zamontować kosz na trawę (7).
- Regularnie opróżniać kosz na trawę (7).

Mulczowanie



UWAGA: Mulczowanie oznacza koszenie i pozostawianie ścinków trawy na trawniku: ścinki są bardzo drobno cięte i równomiernie rozrzucone. W normalnych warunkach mulcz szybko ulegnie biodegradacji i dostarczy trawnikowi substancji odżywczych.

- Włożyć wkładkę mulczującą (23) do tylnej rury wylotowej (21) i upewnić się, że kosz na trawę (7) jest wymontowany z maszyny.
- Unikać koszenia trawy mokrej od deszczu lub od rosy. Mokra trawa może się zbijać, utrudniać mulczowanie i skracać czas pracy urządzenia. Najlepiej kosić późnym popołudniem, gdy trawa jest sucha, a zaraz po skoszeniu nie będzie bezpośrednio nasłoneczniona.
- Aby uzyskać najlepsze efekty mulczowania, należy ustawić wysokość koszenia na około jedną trzecią wysokości trawy, najlepiej poniżej 35 mm. Jeśli trawnik jest przerośnięty, może być konieczne zwiększenie wysokości koszenia, aby zmniejszyć wysiłek potrzebny do pchania urządzenia i uniknąć przeciążenia silnika. W razie mulczowania przy bardzo wysokiej trawie zaleca się ustawienie najpierw dużej wysokości koszenia, a następnie ponownie koszenie z mniejszą wysokością. Ewentualnie można także wykonywać węższe cięcia i kosić wolniej.
- Aby uzyskać najlepsze efekty, należy usuwać nagromadzoną trawę z obudowy urządzenia. W tym celu należy od czasu do czasu wyłączyć urządzenie i poczekać na całkowite zatrzymanie ostrza. Następnie położyć produkt na boku. Za pomocą drewnianego kija lub innego podobnego przedmiotu usunąć trawę nagromadzoną wokół ostrza. Uważać na ostre krawędzie ostrza. Czyścić urządzenie w ten sposób po skoszeniu świeżej trawy i po każdym użyciu.
- Niektóre rodzaje trawy, a także pewne warunki mogą wymagać dwukrotnego mulczowania w celu pełnego pokrycia trawnika mulczem. Podczas drugiego koszenia zaleca się poruszanie się prostopadle do linii wykonywanych podczas pierwszego koszenia. Nie należy jednak przy tym kosić w dół zbocza.
- Schemat koszenia należy zmieniać co tydzień. Pozwoli to zapobiegać matowieniu trawnika i wzrostowi trawy tylko w jednym kierunku.

Po zakończeniu użytkowania

1. Wyłączyć urządzenie, wyjąć akumulator (24) i pozostawić do ostygnięcia.
2. Sprawdzić, wyczyścić i przechowywać maszynę w opisany niżej sposób.

PL Czyszczenie i konserwacja

Najważniejsze zasady konserwacji



OSTRZEŻENIE! PRZED PRZYSTĄPIENIEM DO PRZEGLĄDU, KONSERWACJI LUB CZYSZCZENIA NALEŻY KAŻDORAZOWO WYŁĄCZYĆ MASZYNĘ, WYJĄĆ AKUMULATOR (24) I ZACZEKAĆ, AŻ MASZYNA OSTYGNIE!



PRACE ZWIĄZANE Z CZYSZCZENIEM I KONSERWACJĄ NALEŻY WYKONYWAĆ WYŁĄCZNIE ZGODNIE Z NINIEJSZĄ INSTRUKCJĄ! INNE CZYNNOŚCI MOGĄ BYĆ WYKONYWANE TYLKO PRZEZ WYKWALIFIKOWANEGO SPECJALISTĘ!

1. Utrzymywać urządzenie w czystości. Po każdym użyciu i przed odstawieniem do przechowywania usunąć z niego wszystkie zanieczyszczenia.
2. Regularne i prawidłowe czyszczenie pomoże zapewnić bezpieczne użytkowanie urządzenia i wydłużyć jego żywotność.
3. Przed przystąpieniem do użytkowania sprawdzić maszynę pod kątem uszkodzeń i oznak zużycia. W przypadku stwierdzenia uszkodzenia lub zużycia części nie należy używać urządzenia.



OSTRZEŻENIE! NAPRAWY I PRACE KONSERWACYJNE NALEŻY WYKONYWAĆ WYŁĄCZNIE ZGODNIE Z NINIEJSZĄ INSTRUKCJĄ! INNE CZYNNOŚCI MOGĄ BYĆ WYKONYWANE TYLKO PRZEZ WYKWALIFIKOWANEGO SPECJALISTĘ!

Ogólne informacje dotyczące czyszczenia

1. Czyścić urządzenie zwilżoną ściereczką i mydłem o neutralnym pH. W trudno dostępnych miejscach należy użyć szczotki.
2. Po każdym użyciu urządzenia wyczyścić przełączniki i otwory wentylacyjne przy użyciu szmatki i szczotki.
3. Uporczywe zabrudzenia usuwać za pomocą sprężonego powietrza (maks. 3 bar).



UWAGA: Do czyszczenia urządzenia nie należy używać środków chemicznych, alkalicznych, ściernych ani innych silnych detergentów lub środków dezynfekujących, ponieważ mogą one uszkodzić jego powierzchnię.

4. Sprawdzić pod kątem uszkodzeń i zużycia. Przed kolejnym użyciem maszyny naprawić uszkodzenia zgodnie z niniejszą instrukcją obsługi lub oddać maszynę do naprawy w autoryzowanym centrum serwisowym.

Części zamienne

Wymienione poniżej części niniejszego urządzenia mogą być wymieniane przez klienta. Części zamienne są dostępne u autoryzowanego dealera oraz w naszym dziale obsługi klienta.

Opis	Kod części
Kosz na trawę (7)	199011000059 / 199011000065
Ostrze tnące (22)	201045000459
Akumulator (24)	MDVB36-4 / TTB812BAT / MCT1239BAT / TTT1240BAT
Ładowarka (25)	MFC36 / TTB815CHR / MCB1241CHR / TTB1242CHR

Konserwacja

Przed każdym użyciem i po użyciu sprawdzić urządzenie i akcesoria (lub osprzęt) pod kątem zużycia i uszkodzeń. W razie potrzeby wymienić je na nowe zgodnie ze wskazówkami zawartymi w niniejszej instrukcji. Przestrzegać wymagań technicznych.

Podwozie i ostrze tnące



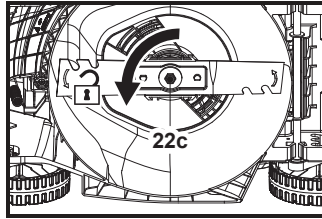
OSTRZEŻENIE! PODCZAS WYKONYWANIA CZYNNOŚCI PRZY OSTRZU TNĄCYM (22) NALEŻY UŻYWAĆ RĘKAWIC OCHRONNYCH! UŻYWAĆ ODPOWIEDNIEN NARZĘDZI DO USUWANIA ZANIECZYSZCZEŃ, NP. DREWNIANEGO KIJA LUB SZCZOTKI. NIE WOLNO PRACOWAĆ GOŁYMI DŁOŃMI!



ZAWSZE UŻYWAĆ ORYGINALNYCH CZĘŚCI ZAMIENNYCH. WYMIENIAJĄC OSTRZE TNĄCE, NALEŻY WYBRAĆ CZĘŚĆ O NUMERZE KATALOGOWYM A022050-025. NIE MONTOWAĆ OSTRZY TNĄCYCH INNEGO TYPU!

WYMIANA OSTRZA TNĄCEGO POWINNA ZOSTAĆ PRZEPROWADZONA PRZEZ WYKWALIFIKOWANEGO SPECJALISTĘ! WYRÓWNYWANIE I OSTRZENIE OSTRZY NIE JEST ZALECANE, CHYBA ŻE JEST WYKONYWANE W SERWISIE LUB PRZEZ WYKWALIFIKOWANEGO SPECJALISTĘ!

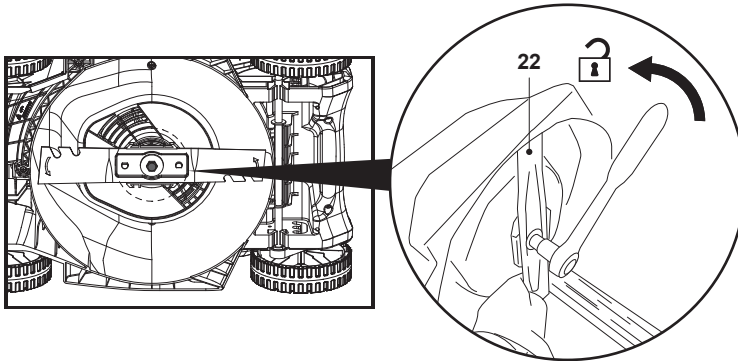
1. Spód kosiarki oraz ostrze tnące (22) należy utrzymywać w czystości. Usuwać ścinki z tylnej rury wylotowej (21).
2. Przed przystąpieniem do pracy okresowo sprawdzać, czy wszystkie elementy łączące, takie jak śruby i nakrętki, są dokręcone. Po długim użytkowaniu, w szczególności na glebach piaszczystych, ostrze tnące będzie zużyte i może utracić pierwotny kształt. Wydajność koszenia będzie zmniejszona, dlatego należy wymienić ostrze tnące.
3. Ostrze tnące (22) powinno być ostre, aby zapewnić wysoką wydajność koszenia. Zużyte lub uszkodzone ostrze tnące wymienić na nowe tego samego typu lub przekazać do naostrzenia przez wykwalifikowanego specjalistę.
4. Poluzować śrubę mocującą (22c), obracając w lewo za pomocą odpowiedniego elektrycznego klucza udarowego (rozmiar nasadki 13 mm) (rys. 20) i zdjąć ją razem z płaską podkładką (22b) i ostrzem (22).



Rys. 20

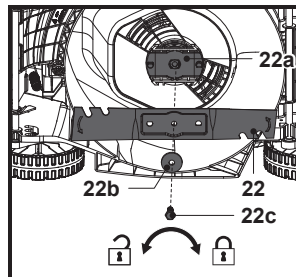


UWAGA: Jeśli zamiast elektrycznego klucza udarowego używany jest klucz ręczny lub klucz płaski, należy zablokować ostrze (22), aby nie obracało się podczas odkręcania śruby. Mocno uchwycić ostrze dłońmi w wytrzymałych rękawicach. W razie potrzeby użyć sporego kawałka drewna do zablokowania obrotu ostrza (rys. 21).



Rys. 21

5. Wymienić ostrze tnące (22) na nowe tego samego typu. Najpierw sprawdzić stan uchwytu ostrza (22a) na trzpieniu, a następnie przymocować ostrze tnące (22) do uchwytu ostrza (22a), ustawiając je zgodnie z oznaczeniami na uchwycie ostrza (22a) i mocując całość za pomocą śruby mocującej (22c) z podkładką płaską (22b), dokręcając śrubę ręką.
6. Przytrzymać mocno ostrze tnące (22) ręką w wytrzymałej rękawicy i/lub kawałkiem drewna i dokręcić śrubę mocującą (22c) w prawo momentem 25–30 Nm, aby zapewnić bezpieczne działanie urządzenia (rys. 22).



Rys. 22



OSTRZEŻENIE! PRZED KAŻDYM UŻYCIEM URZĄDZENIA NALEŻY UPEWNIĆ SIĘ, ŻE OSTRZE (22) I WSZYSTKIE ELEMENTY MOCUJĄCE SĄ ZAMONTOWANE PRAWIDŁOWO I DOBRZE DOKRĘCONE.

W PRZYPADKU WYMIANY ŚRUBY MOCUJĄCEJ (22C) UŻYWAĆ TYLKO ORYGINALNEJ CZĘŚCI ZAMIENNEJ.

7. Niezależnie od stanu ostrza tnącego (22) należy je wymienić po 50 godzinach koszenia lub po upływie 2 lat, zależnie od tego, co nastąpi wcześniej. Jeśli ostrze tnące (22) pęknie lub ulegnie uszkodzeniu, należy je natychmiast wymienić na nowe.
8. Ostrze tnące (22) należy nasmarować po każdym użyciu, aby wydłużyć żywotność ostrza (22) i maszyny. Nałożyć cienką warstwę oleju maszynowego wzdłuż krawędzi ostrza tnącego (22).

Kosz na trawę

1. Sprawdzać kosz na trawę (7) przed każdym użyciem. Nie używać w przypadku stwierdzenia jakichkolwiek uszkodzeń.
2. Po zakończeniu pracy wyczyścić kosz na trawę (7) wodą z łagodnym mydłem.
3. Przed odłożeniem kosza na trawę (7) do przechowywania należy poczekać, aż całkowicie wyschnie, aby uniknąć rozwoju pleśni.

Linka sterująca

Sprawdzać linkę sterującą (20) przed każdym użyciem.



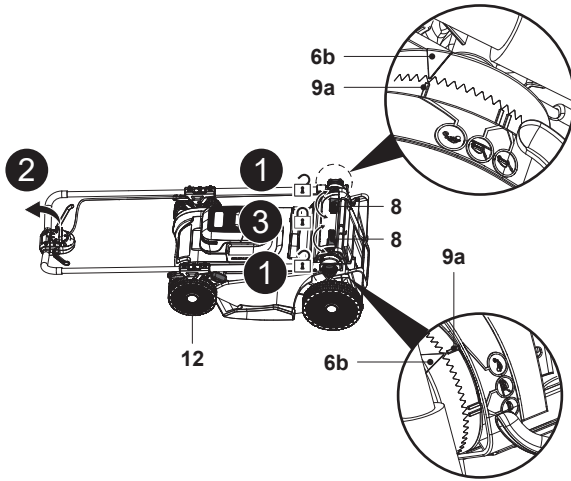
OSTRZEŻENIE! NIE WOLNO UŻYWAĆ URZĄDZENIA Z USZKODZONĄ LUB LUŻNĄ LINKĄ STERUJĄCĄ (20)!

Naprawa

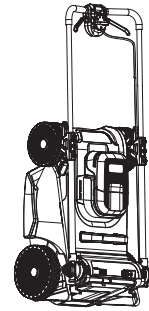
Maszyna nie zawiera żadnych części, które użytkownik byłby w stanie samodzielnie naprawić. W celu przeprowadzenia kontroli i naprawy należy skontaktować się z autoryzowanym centrum serwisowym lub wykwalifikowanym specjalistą.

Przechowywanie

1. Przed przechowywaniem wyłączyć maszynę i wyjąć akumulator (24).
2. Wyczyścić urządzenie w sposób opisany powyżej.
3. Maszynę i jej akcesoria należy przechowywać w ciemnym, suchym, dobrze wentylowanym miejscu, w którym nie występują ujemne temperatury.
4. Należy zawsze przechowywać urządzenie w miejscu niedostępnym dla dzieci. Optymalna temperatura przechowywania wynosi od 10 °C do 30 °C.
5. Zalecamy przechowywanie kosiarki (bez akumulatora) w oryginalnym opakowaniu, osłonięcie jej odpowiednią tkaniną lub przechowywanie w zamkniętym miejscu, aby chronić ją przed zakurzeniem.
6. Przed odłożeniem do przechowywania naładować akumulator do poziomu trzech kresek na wskaźniku.
7. Uchwyt(y) można całkowicie złożyć do przechowywania:
 - Zdemontować kosz na trawę (7) / wkładkę mulczującą (23).
 - Ustawić dźwignię regulacji wysokości koszenia (12) w najniższym położeniu.
 - Poluzować dwie dźwignie zaciskowe (8), a następnie złożyć całkowicie zespół uchwytu (rys. 23, kroki 1, 2).
 - Zabezpieczyć połączenia blokując dwie dźwignie zaciskowe (8). Trójkątny wskaźnik (6b) musi być wyrównany ze wskaźnikiem położenia postojowego (9a), ponieważ w przeciwnym razie elementy mogą się rozdzielić (rys. 23, krok 3).
 - Na czas przechowywania ustawić kosiarkę płasko lub pionowo (rys. 24).

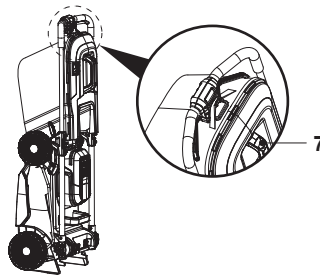


Rys. 23



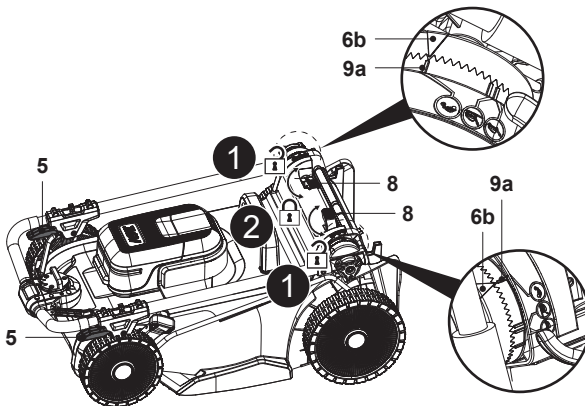
Rys. 24

8. Zaleca się przechowywanie kosiarki z zamontowanym koszem na trawę (7) oraz zainstalowaną wkładką mulczującą (23) (rys. 25).

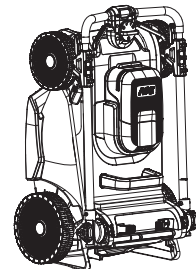


Rys. 25

9. Aby zaoszczędzić miejsce, można również otworzyć dźwignie blokujące (5) i wsunąć górny uchwyt do końca, zabezpieczyć połączenia (5, 8) oraz upewnić się, że trójkątny wskaźnik (6b) jest wyrównany ze wskaźnikiem położenia postojowego (9a), aby uniknąć rozdzielenia się elementów (rys. 26).
10. Na czas przechowywania ustawić kosiarkę płasko lub pionowo (rys. 27).



Rys. 26



Rys. 27

Transportowanie

1. Przed transportowaniem maszyny należy ją wyłączyć i wyjąć z niej akumulator (24).
2. Zamocować osłony transportowe, jeśli ma to zastosowanie.
3. Podczas przenoszenia trzymać maszynę wyłącznie za uchwyty transportowe (14, 17).
4. Chronić urządzenie przed mocnymi uderzeniami i drganiem, które mogą wystąpić podczas transportowania pojazdami.
5. Zamocować maszynę w taki sposób, aby zapobiec jej zsunięciu lub przewróceniu się, uszkodzeniom oraz obrażeniom.

Rozwiązywanie problemów

Domniemane usterki są często spowodowane czynnikami, które użytkownik może usunąć samodzielnie. Dlatego należy sprawdzić produkt, korzystając z informacji podanych w niniejszym rozdziale. W większości przypadków problem można szybko rozwiązać.



OSTRZEŻENIE! NALEŻY WYKONYWAĆ WYŁĄCZNIE CZYNNOŚCI OPISANE W NINIEJSZEJ INSTRUKCJI! JEŚLI UŻYTKOWNIK NIE MOŻE SAM ROZWIĄZAĆ PROBLEMU, WSZYSTKIE DODATKOWE CZYNNOŚCI KONTROLNE, KONSERWACYJNE I NAPRAWCZE MUSZĄ ZOSTAĆ WYKONANE PRZEZ AUTORYZOWANY SERWIS LUB WYKWALIFIKOWANEGO SPECJALISTĘ!

Problem	Możliwa przyczyna	Rozwiązanie
1. Urządzenie nie uruchamia się	1.1. Akumulator nie jest prawidłowo podłączony	1.1. Zamontować prawidłowo
	1.2. Akumulator jest rozładowany	1.2. Wyjąć i naładować akumulator
	1.3. Akumulator jest gorący	1.3. Wyjąć i pozostawić do ostygnięcia
	1.4. Akumulator jest uszkodzony	1.4. Zlecić kontrolę wykwalifikowanemu elektrykowi
	1.5. Nieprawidłowe sposoby uruchamiania urządzenia	1.5. Nacisnąć i przytrzymać przełącznik bezpieczeństwa, a następnie pociągnąć dźwignię uruchamiania, aby uruchomić urządzenie.
	1.6. Inna usterka elektryczna urządzenia	1.6. Zlecić kontrolę wykwalifikowanemu elektrykowi
2. Urządzenie nie osiąga pełnej mocy	2.1. Poziom naładowania akumulatora jest zbyt niski	2.1. Naładować akumulator
	2.2. Otwory wentylacyjne są zablokowane	2.2. Oczyszczyć otwory wentylacyjne
3. Niezadowolający efekt cięcia	3.1. Ostrze tnące jest tępe / uszkodzone	3.1. Wymienić element na nowy
	3.2. Cięty materiał przekracza wydajność urządzenia	3.2. Ciąć tylko taki materiał, do którego urządzenie jest przeznaczone.
	3.3. Nieprawidłowa wysokość koszenia	3.3. Wyregulować wysokość koszenia
4. Urządzenie nagle wyłącza się	4.1. Akumulator jest rozładowany	4.1. Wyjąć i naładować akumulator
	4.2. Akumulator jest za gorący	4.2. Wyjąć akumulator i pozostawić do ostygnięcia
	4.3. Ostrze tnące jest zablokowane	4.3. Usunąć blokadę

Problem	Możliwa przyczyna	Rozwiązanie
5. Nadmierne drgania lub zbyt głośna praca	5.1. Ostrze tnące jest tępe / uszkodzone	5.1. Wymienić element na nowy
	5.2. Cięty materiał przekracza wydajność urządzenia	5.2. Ciąć tylko taki materiał, do którego urządzenie jest przeznaczone
	5.3. Nieprawidłowa wysokość koszenia	5.3. Wyregulować wysokość koszenia
	5.4. Poluzowane śruby / nakrętki	5.4. Dokręcić śruby i nakrętki

Recykling i utylizacja



Na produkcie może się znajdować symbol przekreślonego pojemnika na odpady. Jeśli ten symbol jest umieszczony na produkcie lub baterii, oznacza to, że nie należy ich wyrzucać wraz ze zwykłymi odpadami komunalnymi. Niektóre chemikalia znajdujące się w produktach elektrycznych/elektronicznych lub bateriach/akumulatorach mogą być szkodliwe dla zdrowia i środowiska. Sprzęt nie poddany recyklingowi stanowi potencjalne zagrożenie dla środowiska i zdrowia ludzi. Zużyty sprzęt elektryczny i elektroniczny zawiera substancje nieobojętne dla środowiska naturalnego. Elementy elektryczne/elektroniczne/baterie należy utylizować wyłącznie w osobnych punktach zbiórki, które zapewniają możliwość odzysku i recyklingu materiałów w nich zawartych. Współpraca użytkownika ma zasadnicze znaczenie dla prawidłowego funkcjonowania tych systemów zbiórki i ochrony środowiska.

Produkt jest dostarczany w opakowaniu, które chroni go przed uszkodzeniem w trakcie transportu. Należy zachować opakowanie do czasu upewnienia się, że wszystkie części zostały dostarczone i urządzenie działa prawidłowo. Następnie można przekazać opakowanie do recyklingu.

Utylizacja zużytego akumulatora



Akumulator jest typu litowo-jonowego. Aby chronić zasoby naturalne, akumulator należy zutylizować lub przekazać do recyklingu. Informacje dotyczące dostępnych metod recyklingu/utylizacji można uzyskać od lokalnych organów zajmujących się gospodarką odpadami komunalnymi.

Rozładować akumulator, używając maszyny, a następnie wyjąć akumulator z maszyny i osłonić złącza akumulatora wytrzymałą taśmą samoprzylepną, aby uniemożliwić ich zwarcie i wyładowanie energii.

Nie próbować otwierać ani demontować komponentów.

Gwarancja

Przykładamy szczególną wagę do tego, aby wybierać materiały wysokiej jakości i stosować techniki produkcyjne, które umożliwiają tworzenie wytrzymałych, a zarazem atrakcyjnych produktów. Ten produkt ma gwarancję producenta na 2 lat, która obejmuje wady produkcyjne, począwszy od daty zakupu (zakup w sklepie) lub dostawy (zakup przez Internet) bez dodatkowych kosztów w przypadku normalnego (nieprofesjonalnego lub niekomercyjnego) użytku domowego.

Aby dokonać zgłoszenia reklamacyjnego, należy przedstawić dowód zakupu (np. paragon, fakturę lub inny dowód na mocy obowiązujących przepisów prawa). Dowód zakupu należy przechowywać w bezpiecznym miejscu. Gwarancja obejmuje produkty nowe; nie obejmuje produktów używanych lub z ekspozycji. Produkt zamienny objęty niniejszą gwarancją będzie nią objęty aż do wygaśnięcia okresu obowiązywania gwarancji oryginalnego produktu, chyba że określono inaczej w obowiązujących przepisach prawa.

Niniejsza gwarancja obejmuje wady i uszkodzenia produktu, pod warunkiem że produkt był używany zgodnie z przeznaczeniem oraz zamontowany, czyszczony i konserwowany zgodnie z informacjami zawartymi powyżej oraz w instrukcji obsługi, a także ze standardowymi praktykami (jeśli te praktyki nie są sprzeczne z instrukcją użytkownika).

Niniejsza gwarancja nie obejmuje wad ani uszkodzeń wynikających z normalnego zużycia lub uszkodzeń będących skutkiem niewłaściwego używania, montażu lub złożenia, a także zaniedbania, wypadku i modyfikacji produktu. Gwarancja nie obejmuje w żadnym wypadku dodatkowych kosztów (transportu, przenoszenia, montażu i demontażu, robocizny itd.) ani strat bezpośrednich lub pośrednich, chyba że określono inaczej w obowiązujących przepisach prawa.

Niniejsza gwarancja nie obejmuje usterek i uszkodzeń spowodowanych następującymi czynnikami:

- Zwykłe zużywanie się, w tym zużywanie się akcesoriów
- Przeciążenie, niewłaściwe użytkowanie lub zaniedbanie
- Próba naprawy podjęta przez jakiegokolwiek osoby inne niż autoryzowany przedstawiciel
- Usterka dotycząca tylko estetyki narzędzia
- Uszkodzenia spowodowane ciałami lub substancjami obcymi, bądź będące następstwem wypadków
- Uszkodzenie spowodowane wypadkiem lub przeróbką
- Nieprzestrzeganie zaleceń producenta
- Utrata możliwości używania towarów

Jeśli produkt jest wadliwy, we właściwym czasie naprawimy, wymienimy, dokonamy zwrotu pieniędzy, przeprowadzimy serwis lub zapewnimy części zamienne.

Prawa wynikające z tej gwarancji obowiązują w kraju, w którym zakupiono produkt. Zapytania dotyczące gwarancji powinno się kierować do sklepu, w którym zakupiono produkt.

Niniejsza gwarancja jest dokumentem dodatkowym, który nie ma wpływu na ustawowe prawa konsumenta.

Jeśli produkt zakupiono w Polsce, niniejsza gwarancja nie wyklucza, nie ogranicza ani nie zawiesza uprawnień wynikających z przepisów prawa dotyczących gwarancji na wady zakupionego towaru.

WAŻNE – NALEŻY DOKŁADNIE PRZECZYTAĆ NINIEJSZE INFORMACJE I ZACHOWAĆ



(EN) EU DECLARATION OF CONFORMITY
(FR) DÉCLARATION UE DE CONFORMITÉ
(PL) DEKLARACJA ZGODNOŚCI UE
(RO) DECLARAȚIA DE CONFORMITATE UE
(ES) DECLARACIÓN UE DE CONFORMIDAD
(PT) DECLARAÇÃO DE CONFORMIDADE UE

Product/Produit/Produkt/Produsul/Producto/Produto

- Cordless lawnmower 36 V 38 cm / Tondeuse à gazon 36 V 38 cm / Kosiarka akumulatorowa 36 V 38 cm / Mașină de tuns iarba, fără fir 36 V 38 cm / Cortacésped 36 V 38 cm / Corta-relva sem fios 36 V 38 cm
- MCT1191LWM / TTT1192LWM, 38 cm
- SN: 000001 to 999999

Name and address of the manufacturer or his authorised representative:

Nom et adresse du fabricant ou de son mandataire:

Nazwa i adres producenta lub jego upoważnionego przedstawiciela:

Denumirea și adresa producătorului sau a reprezentantului său autorizat:

Nombre y dirección del fabricante o de su representante autorizado:

Nome e endereço do fabricante ou do respetivo mandatário:

Kingfisher International Products B.V.,
Rapenburgerstraat 175E,
1011 VM Amsterdam,
The Netherlands

This declaration of conformity is issued under the sole responsibility of the manufacturer.

La présente déclaration de conformité est établie sous la seule responsabilité du fabricant.

Niniejsza deklaracja zgodności wydana zostaje na wyłączną odpowiedzialność producenta.

Prezenta declarație de conformitate este emisă pe răspunderea exclusivă a producătorului.

La presente declaración de conformidad se expide bajo la exclusiva responsabilidad del fabricante.

A presente declaração de conformidade é emitida sob a exclusiva responsabilidade do fabricante.

Object of the declaration/Objet de la declaration/Przedmiot deklaracji/Obiectul declarației/Objeto de la declaración/Objeto da declaração

Product/Produit/Produkt/Produsul/Producto/Produto	Model/Modèle/Model/Modelul/Modelo/ Modelo	EAN
Cordless lawnmower 36 V 38 cm / Tondeuse à gazon 36 V 38 cm / Kosiarka akumulatorowa 36 V 38 cm / Mașină de tuns iarba, fără fir 36 V 38 cm / Cortacésped 36 V 38 cm / Corta-relva sem fios 36 V 38 cm	MCT1191LWM TTT1192LWM	5063022637161 5063022636959 5063022638076 5063022637727 5063022637062 5063022637567

The object of the declaration described above is in conformity with the relevant Union harmonisation legislation:

L'objet de la déclaration décrit ci-dessus est conforme à la législation d'harmonisation de l'Union applicable:

Wymieniony powyżej przedmiot niniejszej deklaracji jest zgodny z odnośnymi wymaganiami unijnego prawodawstwa harmonizacyjnego:

Obiectul declarației descris mai sus este în conformitate cu legislația relevantă de armonizare a Uniunii:

El objeto de la declaración descrita anteriormente es conforme con la legislación de armonización pertinente de la Unión:

O objeto da declaração acima descrito está em conformidade com a legislação de harmonização da União aplicável:

2006/42/EC as amended Machinery Directive
 2014/30/EU as amended Directive Electromagnetic compatibility
 2000/14/EC as amended Outdoor Noise Directive
 2011/65/EU as amended Directive on the restriction of the use of certain hazardous substances in electrical and electronic equipment
 Directive 2006/42/CE relative aux machines
 2014/30 / UE telle que modifiée Directive Compatibilité électromagnétique
 Directive 2000/14/CE relative aux émissions sonores extérieures
 Directive 2011/65/UE relative à la limitation de l'utilisation de certaines substances dangereuses dans les équipements électriques et électroniques
 2006/42/WE w zmienionej dyrektywie maszynowej
 2014/30 / UE ze zmianami Dyrektywa Kompatybilność elektromagnetyczna
 2000/14/WE w zmienionej dyrektywie w sprawie hałasu na zewnątrz
 2011/65/UE zgodnie z wprowadzonymi poprawkami Dyrektywa w sprawie ograniczenia stosowania niektórych niebezpiecznych substancji w sprzęcie elektrycznym i elektronicznym
 2006/42/CE, astfel a fost modificată Directiva privind echipamentele
 2014/30/UE, astfel a fost modificată Directiva privind compatibilitatea electromagnetică
 2000/14/CE, astfel a fost modificată Directiva privind zgomotul în aer liber
 2011/65/UE cum a fost modificată Directiva Restricțiile de utilizare a anumitor substanțe periculoase în echipamentele electrice și electronice
 Directiva sobre maquinaria modificada 2006/42/CE
 2014/30/UE modificada Directiva Compatibilidad electromagnética
 2000/14/CE modificada Directiva sobre ruido al aire libre
 2011/65/UE según enmendado Directiva sobre restricciones a la utilización de determinadas sustancias peligrosas en aparatos eléctricos y electrónicos
 2006/42/CE como diretiva de máquinas alteradas
 2014/30/UE como alteração da compatibilidade eletromagnética
 2000/14/CE como diretiva de ruído exterior alterada
 2011/65/UE conforme alterado Directiva Restrição do uso de determinadas substâncias perigosas em equipamentos eléctricos e electrónicos

Measured Sound Power Level

Le niveau de puissance acoustique mesuré

Zmierzony poziom mocy akustycznej

Nivel de putere acustică măsurat

Nivel de potencia sonora medido

Nível de potência sonora medido

: 86.92 dB(A)

Guaranteed Sound Power Level

Le niveau de puissance acoustique garant

Gwarantowany poziom mocy akustycznej

Nivel de putere acustică garantat

Nivel de potencia sonora garantizado

Nível de potência sonora garantido

: 88 dB(A)

TÜV Rheinland LGA Products GmbH, Tillystraße 2 - 90431 Nürnberg, Germany (No.0197) performed EC-Type Examination according to Outdoor Noise Directive 2000/14/EC Annex VI. EC Type Approval No: JO 60182474 0001.

TÜV Rheinland LGA Products GmbH, Tillystraße 2 - 90431 Nürnberg, Germany (No.0197) a effectué l'examen CE de type conformément à l'annexe VI de la directive 2000/14/CE sur le bruit extérieur. Approbation de type CE Non : JO 60182474 0001.

TÜV Rheinland LGA Products GmbH, Tillystraße 2 - 90431 Nürnberg, Germany (No.0197) przeprowadził badanie typu WE zgodnie z dyrektywą w sprawie hałasu zewnętrznego 2000/14/WE załącznik VI. Homologacja typu WE nr: JO 60182474 0001.

TÜV Rheinland LGA Products GmbH, Tillystraße 2 - 90431 Nürnberg, Germany (No.0197) a efectuat examinarea CE de tip în conformitate cu Directiva privind zgomotul exterior 2000/14/CE anexa VI. Nr. omologare CE de tip: JO 60182474 0001.

TÜV Rheinland LGA Products GmbH, Tillystraße 2 - 90431 Nürnberg, Germany (No.0197) realizó el examen CE de tipo de acuerdo con la Directiva de ruido exterior 2000/14/CE Anexo VI. No de homologación de tipo CE: JO 60182474 0001.

TÜV Rheinland LGA Products GmbH, Tillystraße 2 - 90431 Nürnberg, Germany (No.0197) realizou o Exame CE do Tipo de acordo com o Anexo VI da Diretiva 2000/14/CE relativa ao ruído exterior. Aprovação do tipo CE Não: JO 60182474 0001.

References to the relevant harmonised standards used or references to the other technical specifications in relation to which conformity is declared:

Références des normes harmonisées pertinentes appliquées, y compris la date de celles-ci, ou des autres spécifications techniques, y compris la date de celles-ci, par rapport auxquelles la conformité est déclarée:

Odwołania do odnośnych norm zharmonizowanych, które zastosowano, wraz z datą normy, lub do innych specyfikacji technicznych, wraz z datą specyfikacji, w odniesieniu do których deklarowana jest zgodność:

Trimiteri la standardele armonizate relevante folosite, inclusiv data standardului, sau trimiteri la celelalte specificații tehnice, inclusiv data specificațiilor, în legătură cu care se declară conformitatea:

Referencias a las normas armonizadas pertinentes utilizadas, incluidas las fechas de las normas, o referencias a las otras especificaciones técnicas, incluidas las fechas de las especificaciones, respecto a las cuales se declara la conformidad:

Referências às normas harmonizadas aplicáveis utilizadas, incluindo a data da norma, ou às outras especificações técnicas, incluindo a data da especificação, em relação às quais é declarada a conformidade:

EN 62841-1: 2015 + A11: 2022

EN IEC 62841-4-3: 2021 + A11: 2021

EN IEC 61000-3-2: 2019 + A1: 2021

EN 61000-3-3: 2013 + A1: 2019 + A2: 2021

EN IEC 55014-1: 2021

EN IEC 55014-2: 2021

EN IEC 63000: 2018

Authorised signatory and technical file holder / signataire et responsable de la documentation technique autorisé / podmiot uprawniony do wystawienia i adres prezechowywania dokumentacji technicznej / semnatar autorizat și deținător al dosarului tehnic / firmante autorizado y titular del expediente técnico / signatário autorizado e detentor da ficha técnica

Kingfisher International Products B.V.,
Rapenburgerstraat 175E,
1011 VM Amsterdam,
The Netherlands



David Awe
Group Quality Director
Directeur Qualité Groupe
Dyrektor ds. Jakości Grupy
Director Calitate Grup
Director de Calidad del Grupo
Diretor de Qualidade do Grupo

: [09/07/2025]

Producent:

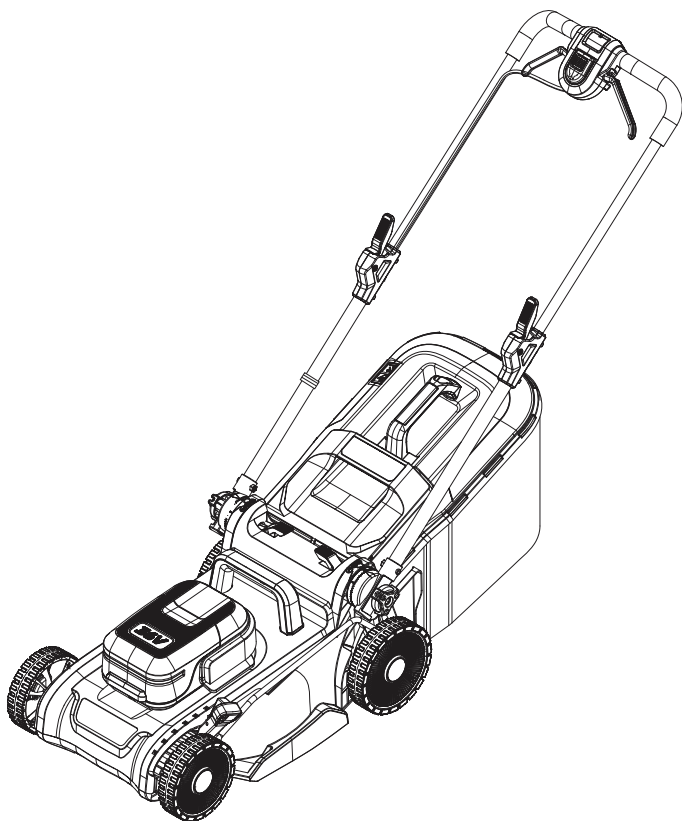
EU Manufacturer:

Kingfisher International Products B.V.,
Rapenburgerstraat 175E,
1011 VM Amsterdam,
The Netherlands

PL www.castorama.pl

**Aby zapoznać się z instrukcją obsługi online,
odwiedź stronę**

www.kingfisher.com/products



RO Mașină de tuns
iarba de 36 V, 38 cm

RO INSTRUCȚIUNI ORIGINALE

IMPORTANT – Aceste instrucțiuni sunt pentru siguranța ta. Citește-le cu atenție înainte de a manevra produsul și păstrează-le pentru consultare ulterioară.

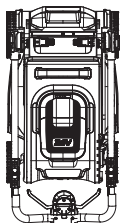


V10825_5063022637161_MAND4_2425_RP0506D

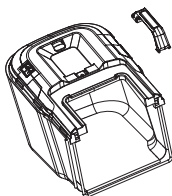
MCT1191LWM
5063022637161
5063022636959
5063022638076

TTT1192LWM
5063022637727
5063022637062
5063022637567

RO Piese



01. x1



02. x1

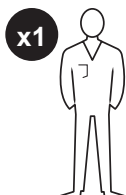


03. x1



04. x1

RO Vei avea nevoie de



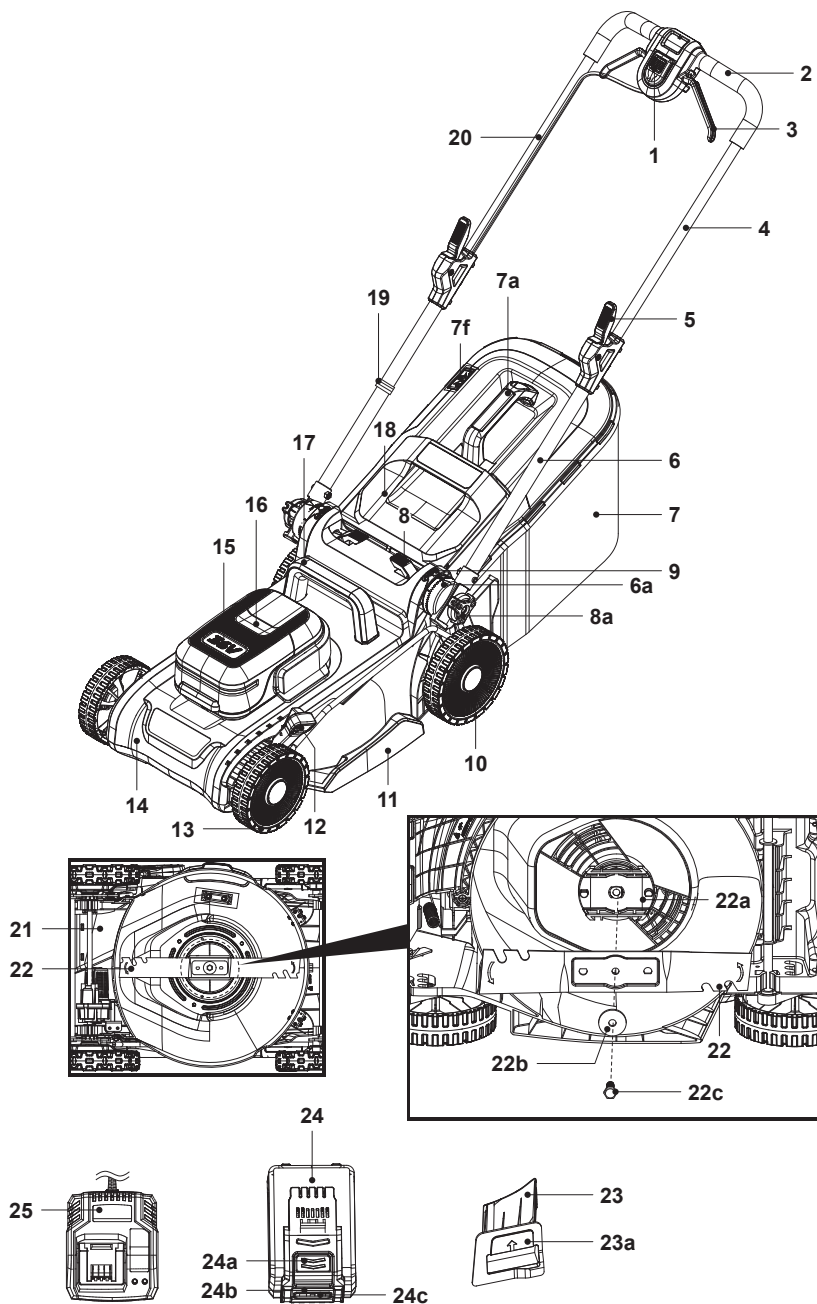
(articole nefurnizate)

- Echipament individual de protecție adecvat
- Cheie adecvată
- Ulei de lubrifiere adecvat
- Acumulator (24) pentru EAN 5063022638076 și 5063022637567
- Încărcător (25) pentru EAN 5063022638076 și 5063022637567

RO Cuprins

RO	
Descrierea produsului	3
Siguranță	5
Pregătire	22
Asamblare	23
Funcții și setări	27
Utilizare	31
Îngrijire și întreținere	35
Garanție	41
Declarație de conformitate	43

RO Descrierea produsului



1. Comutator de siguranță
2. Mâner de prindere
3. Manetă de pornire (x2)
4. Bară mâner superior
5. Manetă de blocare (x2)
6. Bară mâner inferior (x2)
 - a. Placă selectoare
 - b. Triunghi indicator*
7. Colectorul de iarbă
 - a. Mâner de transport
 - b. Clemă din cauciuc* (x3)
 - c. Tijă de susținere*
 - d. Cârlig colector de iarbă* (x2)
 - e. Mâner posterior*
 - f. Trapă
8. Manetă de fixare (x2)
 - a. Buton de blocare
9. Suport pentru mâner (x2)
 - a. Indicator de parcare*
 - b. Indicator de înălțime ridicată a mânerului*
 - c. Indicator de înălțime redusă a mânerului*
10. Roată spate (x2)
11. Compartiment cuțit
12. Manetă pentru reglarea înălțimii de tăiere
 - a. Buton de blocare*
13. Roată frontală (x2)
14. Mâner de transport frontal
15. Capac compartiment pentru acumulator
 - a. Contacte electrice*
 - b. Fante de glisare (x2)
 - c. Capac magnetic*
16. Capac motor
 - a. Afișaj acumulator*
 - b. Fante de aerisire*
17. Mâner de transport
18. Deflector spate
19. Clemă de cablu (x2, 1 premontată)
20. Cablul de control
21. Jgheab de evacuare spate
 - a. Fantă* (x2)
22. Cuțit
 - a. Suport de cuțit
 - b. Șaibă plată
 - c. Șurub de montare
23. Accesoriu de mărunțire
 - a. Mâner încastrat
24. Acumulator
 - a. Buton de eliberare
 - b. Buton capacitate acumulator
 - c. Indicatoare capacitate acumulator
25. Încărcător



NOTĂ: Piesele marcate cu * nu sunt ilustrate în această prezentare. Citește despre componentele respective în manualul de instrucțiuni.



NOTĂ: Pentru EAN 5063022638076 și 5063022637567, acumulatorul (24) și încărcătoarele (25) nu sunt incluse în pachetul livrat. Trebuie să le achiziționezi separat.



Avertismente de siguranță generale privind produsul



AVERTISMENT! PARCURGE TOATE AVERTISMENTELE DE SIGURANȚĂ, INSTRUCȚIUNILE, ILUSTRAȚIILE ȘI SPECIFICAȚIILE FURNIZATE ÎMPREUNĂ CU ACEST PRODUS. NERESPECTAREA TUTUROR INSTRUCȚIUNILOR ENUMERATE MAI JOS POATE DUCE LA ELECTROCUTARE, INCENDIU ȘI/SAU RĂNIRE GRAVĂ.

PĂSTREAZĂ TOATE AVERTISMENTELE ȘI INSTRUCȚIUNILE PENTRU CONSULTARE ULTERIOARĂ.

TERMENUL „PRODUS” DIN AVERTISMENTE SE REFERĂ ATÂT LA PRODUSELE ELECTRICE CU ALIMENTARE DE LA REȚEA (CU FIR), CÂT ȘI LA CELE CU ACUMULATOR (FĂRĂ FIR).

Siguranța în spațiul de lucru

- **Păstrează zona de lucru curată și bine luminată.** Zonele aglomerate sau întunecate favorizează producerea de accidente.
- **Nu utiliza produsul în medii explozive, de exemplu, în prezența lichidelor, gazelor sau prafurilor inflamabile.** Produsele produc scântei care pot aprinde praful sau vaporii.
- **Ține copiii și persoanele din preajmă la distanță în timp ce utilizezi produsul.** Distragerea atenției poate cauza pierderea controlului asupra produsului.

Siguranța din punct de vedere electric

- **Ștecărele produsului trebuie să se potrivească cu priza. Nu modifica niciodată ștecărele. Nu utiliza un adaptor pentru ștecăr cu produsele cu împământare (legate la masă).** Folosirea ștecărelor nemodificate și a prizelor adecvate va reduce riscul de electrocutare.
- **Evită contactul corpului cu suprafețele cu împământare sau legate la masă, cum ar fi țevile, radiatoarele, aragazele și frigiderele.** Riscul de electrocutare crește când corpul tău este legat la masă sau la pământ.
- **Nu expune produsele electrice la ploaie sau umezeală.** Dacă într-un produs electric pătrunde apă, există risc crescut de electrocutare.
- **Nu utiliza cablul în mod necorespunzător. Nu utiliza niciodată cablul pentru a transporta, a trage sau a scoate din priză produsul. Ține cablul la distanță de căldură, ulei, muchii ascuțite sau piese mobile.** Cablurile deteriorate sau încurcate măresc riscul de electrocutare.
- **Când utilizezi un produs afară, folosește un cablu prelungitor adecvat pentru exterior.** Folosirea unui cablu adecvat pentru exterior reduce riscul de electrocutare.
- **Dacă nu se poate evita utilizarea produsului într-un loc cu umezeală, folosește o sursă de alimentare protejată de o siguranță automată cu protecție diferențială (RCD).** Utilizarea unei RCD reduce riscul de electrocutare.

Siguranța personală

- **Fii vigilent și atent la ce faci, folosindu-ți simțul practic în timpul utilizării produsului. Nu utiliza produsul dacă ești obosit sau sub influența drogurilor, a alcoolului ori a medicamentelor.** Un moment de neatenție în timpul utilizării utilajelor poate duce la vătămări corporale grave.

- **Utilizează echipament individual de protecție. Poartă întotdeauna protecție pentru ochi.** Utilizarea echipamentului de protecție – precum măștile antipraf, încălțăminte cu talpă antiderapantă, căștile de protecție sau protecțiile pentru auz – pentru condițiile adecvate va reduce riscul de rănire.
- **Împiedică pornirea accidentală. Asigură-te că poziția comutatorului este la oprit înainte de conectarea la sursa de alimentare și/sau acumulator, înainte de ridicare sau transport.** Transportul produselor cu degetul pe comutator sau conectarea acestora la sursa de alimentare atunci când comutatorul este pornit favorizează producerea accidentelor.
- **Îndepărtează orice cheie fixă sau instrument de reglare înainte de a porni produsul.** O cheie fixă sau un instrument de reglare lăsat prins de o piesă rotativă a produsului poate provoca vătămări corporale.
- **Nu te întinde prea mult. Menține-ți permanent echilibrul, cu picioarele poziționate stabil.** Acest lucru îți va oferi un control mai bun al produsului în situațiile neașteptate.
- **Poartă îmbrăcăminte corespunzătoare. Nu purta îmbrăcăminte largă sau bijuterii. Ține-ți părul și hainele la distanță de piesele mobile.** Hainele largi și bijuteriile sau părul lung se pot prinde în piesele mobile.
- **Dacă sunt furnizate dispozitive pentru a conecta echipamente destinate aspirării și colectării prafului, asigură-te că sunt conectate și utilizate corect.** Utilizarea unui dispozitiv de colectare a prafului poate reduce pericolele generate de expunerea la praf.
- **Nu permite ca familiarizarea obținută prin utilizarea frecventă a produsului să te determine să ignori principiile de siguranță aferente.** Acțiunile neglijente pot provoca răniri grave într-o fracțiune de secundă.

Utilizarea și întreținerea produsului

- **Nu forța produsul. Utilizează produsul adecvat pentru scopul avut în vedere.** Produsul adecvat va fi mai eficient și mai sigur, funcționând în cadrul parametrilor de proiectare.
- **Nu utiliza produsul dacă nu poate fi pornit și oprit folosind comutatorul.** Orice produs care nu poate fi controlat folosind comutatorul este periculos și trebuie reparat.
- **Deconectează ștecărul de la sursa de alimentare și/sau scoate acumulatorul, dacă este detașabil, din produs înainte de a face reglări, de a-i schimba accesoriile sau de a-l depozita.** Astfel de măsuri preventive de siguranță reduc riscul de a porni produsul accidental.
- **Depozitează produsele neutilizate într-un loc inaccesibil copiilor și nu permite utilizarea de către persoanele nefamiliarizate cu întrebuințarea acestora sau cu aceste instrucțiuni.** Produsele sunt periculoase în mâinile celor nefamiliarizați cu utilizarea acestora.
- **Întreține mașinile și accesoriile. Ai grijă ca piesele mobile să nu fie greșit aliniat sau blocate, să nu fie deteriorate și să nu prezinte altă problemă care ar putea afecta funcționarea produsului. Dacă produsul se deteriorează, du-l la reparat înainte de a-l utiliza din nou.** Numeroase accidente sunt cauzate de produse întreținute necorespunzător.
- **Păstrează mașinile de tăiat ascuțite și curate.** Mașinile de tăiat corect întreținute și cu cuțitele ascuțite sunt mai greu de gripat și mai ușor de controlat.
- **Utilizează produsul, accesoriile, burghiile etc. în conformitate cu aceste instrucțiuni, luând în calcul condițiile de lucru și operațiunile care trebuie efectuate.** Utilizarea produsului în alte scopuri decât cele pentru care a fost proiectat poate duce la situații periculoase.
- **Păstrează mânerul și suprafețele de prindere curate, uscate și fără urme de ulei și grăsimi.** Mânerul și suprafețele de prindere alunecoase nu permit manevrarea și controlarea în siguranță a produsului în situații neașteptate.

Utilizarea și întreținerea produsului cu acumulator

- **Reîncarcă numai cu încărcătorul specificat de producător.** Încărcătoarele adecvate pentru un anumit tip de acumulator pot crea risc de incendiu când sunt utilizate cu alt tip de acumulator.
- **Utilizează produsul numai cu acumulatorii indicați.** Utilizarea oricărui alt acumulator poate crea risc de incendiu și leziuni corporale.
- **Când acumulatorul nu este în uz, ține-l la distanță de orice obiect metalic, precum agrafe de hârtie, monede, chei, cuie, șuruburi sau alte obiecte metalice de mici dimensiuni care pot face conexiunea între bornele acumulatorului.** Scurtcircuitarea bornelor acumulatorului poate cauza arsuri sau incendii.
- **În condiții de utilizare abuzivă, din acumulator se poate scurge lichid; evită contactul. Dacă are loc contactul accidental, spală locul afectat cu apă. Dacă lichidul intră în contact cu ochii, solicită asistență medicală.** Lichidul ieșit din acumulator poate cauza iritații sau arsuri.
- **Nu utiliza acumulatori sau produse deteriorate sau modificate.** Acumulatorii deteriorați sau modificați pot avea un comportament imprevizibil, ducând la incendii, explozii sau risc de rănire.
- **Nu expune acumulatorul sau produsul la foc sau la temperaturi excesive.** Expunerea la foc sau la temperaturi mai mari de 130 °C poate cauza explozii.
- **Respectă toate instrucțiunile de încărcare și nu încarca acumulatorul sau produsul în afara intervalului de temperatură specificat.** Încărcarea incorectă sau la temperaturi în afara intervalului specificat poate deteriora acumulatorul și mărește riscul de incendiu.

Service

- **Revizia produsului se va efectua de o persoană calificată pentru reparații, utilizând numai piese de schimb identice.** În acest mod, se va păstra nivelul adecvat de siguranță al produsului.
- **Nu repara niciodată acumulatorii deteriorați.** Repararea acumulatorilor trebuie efectuată doar de producător sau de agenți de service autorizați.

Avertismente de siguranță privind mașina de tuns iarba

- **Nu utiliza mașina de tuns iarba în condiții de vreme rea, mai ales dacă există pericol de descărcări electrice.** Astfel se reduce riscul de a fi lovit de trăsnet.
- **Verifică minuțios zona pentru a depista vietățile în zona unde va fi folosită mașina.** Vietățile ar putea fi rănite în timpul operării mașinii.
- **Verifică minuțios zona în care va fi utilizată mașina de tuns iarba și îndepărtează toate pietrele, bețele, cablurile, oasele și alte corpuri străine.** Obiectele proiectate pot provoca vătămări corporale.
- **Înainte de a folosi produsul, verifică întotdeauna vizual cuțitul și ansamblul acestuia pentru a te asigura că nu sunt deteriorate sau uzate.** Componentele uzate sau deteriorate cresc riscul de rănire.
- **Verifică frecvent colectorul de iarbă să nu prezinte semne de uzură sau deteriorare.** Un colector de iarbă uzat sau deteriorat poate crește riscul de vătămare corporală.
- **Nu demonta apărătorile. Apărătorile trebuie să fie funcționale și montate corespunzător.** Apărătorile slăbite, deteriorate sau care nu funcționează corect pot provoca vătămări corporale.
- **Păstrează orificiile de admisie a aerului de răcire fără reziduuri.** Orificiile de admisie a aerului blocate și reziduurile pot duce la supraîncălzire sau incendiu.

- **În timpul folosirii mașinii de tuns iarba, poartă întotdeauna încălțăminte de protecție antiderapantă. Nu utiliza produsul când ești desculț sau porți sandale decupate.** Astfel se reduce riscul de rănire a picioarelor ca urmare a contactului cu cuțitul aflat în mișcare.
- **În timpul folosirii mașinii, poartă întotdeauna pantaloni lungi.** Pielea expusă crește probabilitatea rănirii produse de obiectele proiectate.
- **Nu utiliza produsul pe iarbă udă. Nu alerga, mergi întotdeauna la pas.** Astfel se reduce riscul de alunecare și de cădere, care pot duce la vătămări corporale.
- **Nu utiliza mașina de tuns iarba pe pante prea abrupte.** Astfel se reduce riscul de pierdere a controlului, de alunecare și de cădere, care pot duce la vătămări corporale.
- **Când lucrezi pe pante, fii mereu atent la stabilitate: lucrează întotdeauna transversal pe pantă, niciodată în sus sau în jos și fii foarte precaut când schimbi direcția.** Astfel se reduce riscul de pierdere a controlului, de alunecare și de cădere, care pot duce la vătămări corporale.
- **Fii extrem de prudent atunci când dai înapoi sau tragi mașina de tuns iarba către tine. Fii întotdeauna atent la zona din jur.** Astfel se reduce riscul de împiedicare în timpul lucrului.
- **Nu atinge cuțitele și alte componente mobile periculoase în timp ce încă se află în mișcare.** Astfel se reduce riscul de răniri provocate de componentele aflate în mișcare.
- **Când îndepărtezi materialele blocate sau cureți produsul, asigură-te că toate comutatoarele de alimentare sunt oprite și acumulatorul este deconectat.** Operarea accidentală a mașinii poate duce la vătămări corporale grave.

Instrucțiuni de siguranță suplimentare pentru mașina de tuns iarba

Instruire

- Citește cu atenție instrucțiunile. Familiarizează-te cu comenzile și cu utilizarea adecvată a produsului.
- Nu permite niciodată folosirea acestui produs de către copii sau persoane cu deficiențe de natură fizică, senzorială sau mintală, care nu au experiența și cunoștințele necesare sau care nu cunosc aceste instrucțiuni. Reglementările locale pot restricționa vârsta operatorului.
- Copiii trebuie supravegheați, pentru a te asigura că nu se joacă cu produsul.
- Curățarea și întreținerea aflate în sarcina utilizatorului nu trebuie efectuate de copii nesupravegheați.
- Nu lucra niciodată atunci când se află în apropiere persoane, în special copii, sau animale de companie.
- Reține că operatorul sau utilizatorul este responsabil pentru accidente sau pericolele ce implică alte persoane sau bunurile lor.

Pregătire

- În timp ce tunzi iarba, poartă întotdeauna încălțăminte robustă și pantaloni lungi. Nu opera produsul când ești desculț sau porți sandale decupate. Evită îmbrăcămintea largă sau prevăzută cu cordoane sau șnururi care atârnă.
- Inspectează cu atenție zona în care vei utiliza produsul și îndepărtează toate obiectele care ar putea fi proiectate de acesta.
- Înainte de utilizare, verifică întotdeauna vizual cuțitul, șuruburile aferente și ansamblul cuțitului pentru a te asigura că nu sunt uzate sau deteriorate. Dacă sunt uzate sau deteriorate, înlocuiește cuțitele împreună cu șuruburile lor pe seturi, pentru a păstra echilibrarea. Înlocuiește etichetele deteriorate sau ilizibile.



ATENȚIE! NU ATINGE CUȚITUL ÎN TIMP CE SE ROTEȘTE.

Utilizare

- Operează produsul numai la lumina zilei sau la lumină artificială puternică.
- Dacă este posibil, evită utilizarea produsului pe iarbă udă.
- Fii atent întotdeauna la mersul pe pante.
- Nu alerga, mergi întotdeauna la pas.
- Lucrează întotdeauna transversal, niciodată în susul și în josul pantei.
- Fii extrem de precaut când schimbi direcția pe pantă.
- Nu tunde pe pante excesiv de înclinate.
- Fii extrem de prudent atunci când dai înapoi sau tragi produsul către tine.
- Oprește cuțitul (cuțitele) dacă produsul trebuie înclinat pentru transport când traversezi alte suprafețe decât cele cu iarbă și când duci produsul spre și dinspre zona care trebuie tunsă.
- Nu opera niciodată produsul cu apărători sau scuturi defecte sau fără a avea montate dispozitive de siguranță, de exemplu deflectoarele și/sau colectoarele de iarbă.
- Pornește produsul cu atenție conform instrucțiunilor și ținând picioarele la distanță de cuțit (cuțite).
- Nu înclina produsul când pornești motorul decât dacă trebuie înclinat pentru a porni. În acest caz, nu înclina mai mult decât este absolut necesar și ridică de pe sol doar partea depărtată de operator.
- Nu porni produsul când stai în fața jgheabului de evacuare.
- Nu pune mâinile sau picioarele în apropierea sau sub componentele rotative. Menține permanent distanța față de orificiul de evacuare.
- Nu transporta produsul cu acumulatorul montat.
- Oprește produsul și scoate acumulatorul. Asigură-te că toate componentele în mișcare s-au oprit complet:
 - de fiecare dată când pleci de lângă produs,
 - înainte de a îndepărta blocajele sau de a curăța jgheabul de evacuare,
 - înainte de a verifica, de a curăța sau de a lucra la produs,
 - după lovirea unui corp străin. Verifică dacă produsul nu este deteriorat și fă eventualele reparații înainte de a-l reporni și a-l utiliza.

- Dacă produsul începe să vibreze anormal (verifică imediat)
 - verifică să nu existe deteriorări,
 - înlocuiește sau repară piesele deteriorate,
 - verifică și strânge piesele slăbite.

Întreținere și depozitare

- Scoate acumulatorul înainte de a verifica, de a curăța sau de a lucra la produs și atunci când nu este utilizat.
- Scoate acumulatorul înainte de a efectua operațiuni de întreținere sau curățare.
- Întreținerea necorespunzătoare va duce la funcționare defectuoasă / defectarea produsului.
- Verifică și întreține periodic produsul. Menține toate piulițele și șuruburile bine strânse, pentru a te asigura că produsul poate funcționa în condiții de siguranță.
- Verifică frecvent colectorul de iarbă să nu prezinte semne de uzură sau deteriorare.
- Ai grijă ca la reglarea produsului să nu-ți prinzi degetele între cuțitele în mișcare și componentele fixe ale acestuia.
- Lasă produsul să se răcească înainte de a-l depozita într-un spațiu închis.
- Când lucrezi la cuțite, nu uita că pot continua să se miște și după deconectarea sursei de alimentare.
- Din motive de siguranță, înlocuiește componentele uzate sau deteriorate. Folosește doar accesorii și piese de schimb originale.
- Poartă mănuși de lucru rezistente atunci când demontezi și montezi la loc cuțitul.
- Produsul trebuie reparat numai de un centru de reparații autorizat sau de un specialist cu un nivel de calificare similar.
- Când nu este utilizat, depozitează produsul într-un loc inaccesibil copiilor.

Avertismente de siguranță suplimentare pentru acumulator

- **Acumulatorul trebuie încărcat înainte de utilizare.** Consultă întotdeauna instrucțiunile referitoare la încărcător și încarcă-l corect.
- **Când produsul nu este în uz, scoate acumulatorul din acesta.**
- **Nu ține acumulatorul în încărcător atunci când nu este în uz.**
- **După perioadele prelungite de depozitare, poate fi necesar să încarci și să descarci acumulatorul de mai multe ori pentru a obține performanța maximă.**
- **Se pot obține o durată de viață mai îndelungată și performanțe mai bune dacă acumulatorul este încărcat când temperatura aerului este între 18 și 24 °C.** Nu încărca acumulatorul la temperaturi ale aerului mai mici de 5 °C sau mai mari de 40 °C. Acest aspect este important deoarece poate preveni deteriorarea gravă a acumulatorului.
- **Nu încărca acumulatorul în locuri cu umezeală sau ude.** Respectarea acestei reguli va reduce riscul de electrocutare.
- **Nu dezasambla acumulatorul și evită deteriorarea sa mecanică. Există riscul de scurtcircuit și de degajări de vapori.** Asigură un flux de aer proaspăt și solicită asistență medicală în caz de disconfort.
- **Când duci la reciclare acumulatorii, ține-i pe cei cu sisteme electrochimice diferite separați unii de alții.**
- Nu conecta borna pozitivă și borna negativă de la acumulator folosind un obiect metalic (cum ar fi sârma).
- Nu transporta și nu depozita acumulatorul împreună cu coliere, agrafe de păr sau alte obiecte metalice.
- Nu străpunge acumulatorul cu cuie, nu-l lovi cu ciocanul, nu călca pe el și nu-l expune la impacturi sau șocuri puternice.
- Nu suda direct pe acumulator.
- Nu expune acumulatorul la apă dulce sau apă sărată și nu-l lăsa să se ude.
- Nu dezasambla și nu modifica acumulatorul.

- Nu pune acumulatorul în foc sau în apropierea acestuia, pe sobe sau în alte locuri cu temperaturi ridicate. Nu pune acumulatorul în lumina directă a soarelui, nu-l folosi și nu-l depozita în autovehicule în condiții de temperatură ridicată.
- Nu pune acumulatorul în cuptoare cu microunde, în recipiente sub presiune sau în vase de gătit pe plite cu inducție.
- Dacă intenționezi să depozitezi acumulatorul o perioadă fără a-l utiliza, este indicat să-l ții la temperatura camerei (între 19 și 25 °C), încărcat la 3 linii (indicatori luminoși ai nivelului de încărcare). La depozitarea pe perioade foarte îndelungate, încarcă rapid acumulatorul o dată pe an pentru a preveni descărcarea excesivă.

Monitorizarea medicală

Toți angajații trebuie incluși într-un program de monitorizare medicală care să permită identificarea timpurie a oricăror afecțiuni cauzate de vibrații, să prevină evoluția bolilor și să ajute angajații să-și păstreze starea bună de sănătate.

Reducerea vibrațiilor și a zgomotului

Pentru a reduce impactul emisiilor de vibrații și zgomot, limitează durata de utilizare, folosește modurile de funcționare cu nivel scăzut de vibrații și zgomot și poartă echipament individual de protecție.

la în considerare următoarele aspecte pentru a reduce la minimum riscul de expunere la vibrații și zgomot:

- Utilizează produsul numai în conformitate cu scopul în care a fost proiectat și cu aceste instrucțiuni.
- Asigură-te că produsul este în stare bună și bine întreținut.
- Utilizează accesorii corespunzătoare pentru produs și asigură-te că sunt în stare bună.
- Prinde bine mânerul / suprafața de prindere.
- Întreține produsul în conformitate cu aceste instrucțiuni și asigură întotdeauna lubrifierea sa corespunzătoare (dacă este cazul).
- Planifică-ți lucrările astfel încât să distribuie utilizarea produselor cu nivel înalt de vibrații pe o perioadă mai îndelungată.

- Utilizarea prelungită a produsului expune utilizatorul la vibrații care pot cauza o serie de afecțiuni, cunoscute colectiv sub denumirea de sindromul vibrațiilor la nivelul mâinii / brațului (HAVS), cum ar fi albirea degetelor, dar și boli specifice, precum sindromul de tunel carpian. Pentru a reduce acest risc în timpul utilizării produsului, poartă întotdeauna mănuși de protecție și menține-ți mâinile calde.

În caz de urgență

Familiarizează-te cu utilizarea produsului citind acest manual de instrucțiuni. Memorează instrucțiunile de siguranță și respectă-le cu strictețe. Astfel, vei preveni apariția riscurilor și a pericolelor.

- **Fii întotdeauna foarte atent când utilizezi acest produs, astfel încât să poți recunoaște și gestiona din timp riscurile.** Intervenția rapidă poate preveni rănirea gravă și pagubele materiale.
- **Oprește produsul și scoate acumulatorul dacă apare o defecțiune.** Înainte de a reutiliza produsul, cere-i unui specialist calificat să-l verifice și, dacă este cazul, să-l repare.

Riscuri reziduale

Chiar dacă utilizezi produsul în conformitate cu toate cerințele de siguranță, riscurile de rănire și pagube materiale nu dispar în totalitate. Iată ce pericole pot apărea din structura și designul acestui produs:

- Pericole pentru sănătatea utilizatorului cauzate de emisiile de vibrații dacă produsul este utilizat pe perioade îndelungate sau nu este gestionat și întreținut corespunzător.
- Leziuni corporale și pagube materiale cauzate de accesorii defecte sau impactul brusc cu obiecte ascunse în timpul utilizării.
- Pericol de rănire și pagube materiale cauzate de obiecte proiectate în aer sau de accesorii în stare necorespunzătoare.



AVERTISMENT! ACEST PRODUS GENEREAZĂ UN CÂMP ELECTROMAGNETIC ÎN TIMPUL FUNCȚIONĂRII! ÎN ANUMITE CONDIȚII, ACEST CÂMP POATE INTERFERA CU IMPLANTURILE MEDICALE ACTIVE SAU PASIVE! PENTRU A REDUCE RISCUL DE LEZIUNI GRAVE SAU CHIAZ MORTALE, LE RECOMANDĂM PERSOANELOR CU IMPLANTURI MEDICALE SĂ CONSULTE MEDICUL ȘI PRODUCĂTORUL IMPLANTULUI ÎNAINTE DE A UTILIZA ACEST PRODUS!

Simboluri

Pe produs, pe eticheta energetică și în aceste instrucțiuni vei găsi, printre altele, următoarele simboluri și prescurtări. Familiarizează-te cu ele pentru a reduce riscurile precum leziunile corporale și pagubele materiale.

V	Volt (tensiune curent continuu)	mAh	Miliamperi pe oră
/min sau min^{-1}	Pe minut	$^{\circ}\text{C}$	Grad Celsius
n_0	Turație la utilizarea fără sarcină	L	Litru
g	Gram	kg	Kilogram
mm	Milimetru	cm	Centimetru
m	Metru	A	Amper
dB(A)	Decibel (clasa A)	m/s^2	Metri pe secundă la pătrat
	Blochează / pentru a strânge sau fixa.		Deblochează / pentru a slăbi.
	Citește manualul de instrucțiuni.		Notă / remarcă.
			Atenționare / Avertisment.
yyWxx	Codul datei de fabricație; anul fabricației (20yy) și săptămâna fabricației (Wxx).		
IPX1	Cu protecție împotriva stropilor de apă care cad vertical.		
	Poartă întotdeauna protecție pentru urechi.		



Poartă întotdeauna protecție pentru ochi.



Poartă o mască antipraf.



Poartă mănuși de protecție.



Poartă încălțăminte de protecție antiderapantă.



Poartă îmbrăcăminte de protecție strânsă pe corp.



AVERTISMENT – Scoate dispozitivul de dezactivare înainte de întreținere!

Oprește produsul și scoate acumulatorul înainte de asamblare, curățare, reglare, întreținere, depozitare și transport.



AVERTISMENT – Deconectează acumulatorul înaintea operațiunilor de întreținere!



Acest produs este încadrat în clasa de protecție III.



Nu expune produsul la ploaie sau condiții de umiditate.



Lucrează întotdeauna transversal, niciodată în susul și în josul pantei.



Inspectează zona în care vei utiliza produsul și îndepărtează toate obiectele care ar putea fi proiectate de el. Dacă descoperi obiecte ascunse în timpul utilizării, oprește motorul și îndepărtează-le.



AVERTISMENT – Ai grijă la obiectele proiectate! Ține persoanele din preajmă la distanță!

Obiectele aruncate de produs pot lovi utilizatorul sau alte persoane din jur. Asigură-te întotdeauna că alte persoane și animalele de companie rămân la o distanță sigură față de produs atunci când este în funcțiune. În general, trebuie interzis accesul copiilor în zona unde se află produsul.



AVERTISMENT – Ține mâinile și picioarele departe de cuțite!

Pericol de rănire! Cuțitul și toate piesele în mișcare trebuie să fie oprite atunci când reparați, cureți sau inspectați produsul.



PERICOL – Ferește mâinile și picioarele!



Cuțitul continuă să se rotească și după ce produsul este oprit. Așteaptă până când toate componentele se opresc complet înainte de a atinge produsul.



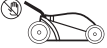
Ai grijă în mod special când lucrezi la cuțit!



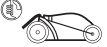
Colectorul de iarbă este pregătit pentru colectarea ierbii.



Colectorul de iarbă este plin, trebuie golit.



Nu deschide deflectorul din spate când motorul este pornit.



Ține întotdeauna închis deflectorul din spate când motorul este pornit.



Nivel de putere sonoră garantat 88 dB(A).



Simbol DEEE. Produsele electrice uzate nu trebuie eliminate împreună cu gunoiul menajer. Acolo unde există facilitățile necesare, reciclează. Pentru sfaturi privind reciclarea, consultă autoritatea locală sau magazinul local.



Pubelă tăiată. Bateriile și acumulatorii nu trebuie aruncați împreună cu deșeurile menajere. Acolo unde există facilitățile necesare, reciclează. Pentru sfaturi privind reciclarea, consultă autoritatea locală sau magazinul local.



Nu arunca acumulatorii în râuri și nu îi scufunda în apă.



Nu arunca acumulatorii în foc. Vor exploda și vor cauza leziuni.



Nu expune acumulatorii la temperaturi de peste 40 °C.


Nu încărca și nu depozita acumulatorul la temperaturi mai mici de 5 °C (41 °F) și mai mari de 40 °C (104 °F).




Produsul respectă directivele europene aplicabile și a fost efectuată o evaluare a conformității cu acestea.

Specificații tehnice

General

- > Tensiune nominală : 36 V 
- > Turație nominală la utilizarea fără sarcină n_0 : 3 200 min⁻¹
- > Lățime de tăiere : 38 cm
- > Interval de înălțimi de tăiere : 25-75 mm, 6 niveluri
- > Capacitate colector de iarbă : 45 L
- > Clasă de protecție : Cu acumulator
- > Grad de protecție : IPX1
- > Dimensiune roți : Ø 160 x 40 mm (roată față)
Ø 180 x 40 mm (roată spate)
- > Greutate : aprox. 16,85 kg
- > Dimensiuni : aprox. 134 x 44 x 100 cm

Acumulator

- > Nr. model : MDVB36-4 / TTB812BAT / MCT1239BAT /
TTT1240BAT
- > Tip : Li-ion, 10 celule INR 21700
- > Capacitate : 4 / 8 Ah
- > Tensiune : 36 / 18 V 
- > Greutate : aprox. 1,05 kg

Încărcător pentru acumulator

- > Nr. model : MFC36 / TTB815CHR / MCB1241CHR /
TTB1242CHR
- > Putere nominală : 21 V , 8 A



NOTĂ: Această mașină de tuns iarba de 36 V se utilizează cu acumulatori cu tensiune duală de 18 / 36 V, precum modelele de mai sus.

Interval de temperatură ambiantă pentru utilizarea și depozitarea produselor și a acumulatorilor: 5-40 °C

Interval de temperatură ambiantă pentru sistemul de încărcare în timpul încărcării: 5-40 °C

Valori sonore

- > Nivel de presiune sonoră L_{pA} : 78,77 dB(A)
- > Incertitudine K_{pA} : 3 dB(A)
- > Nivel de putere sonoră măsurat L_{WA} : 86,92 dB(A)
- > Incertitudine K_{WA} : 0,63 dB(A)
- > Nivel de putere sonoră garantat L_{WA} (în conformitate cu 2000/14/CE modificată de 2005/88/CE) : 88 dB(A)

Valori vibrații

- > Vibrație mână-braț $a_{h,w}$: 0,346 m/s²
- > Incertitudine K : 1,5 m/s²

Valorile sonore au fost stabilite conform codului de testare a zgomotului precizat în EN 62841-1 și EN IEC 62841-4-3, utilizând standardele de bază EN ISO 3744.

Nivelul de intensitate a sunetului pentru utilizator poate depăși 80 dB(A) și sunt necesare măsuri de protecție a auzului. Valorile totale declarate ale vibrațiilor și valorile declarate ale emisiilor de zgomot au fost măsurate în conformitate cu o metodă de testare standard (EN 62841-1, EN IEC 62841-4-3) și pot fi folosite pentru a compara o produs cu alta. Pot fi folosite și la o evaluare preliminară a expunerii.



AVERTISMENT! EMISIILE DE VIBRAȚII ȘI ZGOMOT DIN TIMPUL UTILIZĂRII EFECTIVE A PRODUSULUI POT FI DIFERITE DE VALOAREA TOTALĂ DECLARATĂ ÎN FUNCȚIE DE MODALITĂȚILE ÎN CARE ESTE FOLOSIT ȘI MAI ALES ÎN FUNCȚIE DE LUCRUL PENTRU CARE ESTE FOLOSIT.

TREBUIE IDENTIFICATE MĂSURILE DE SIGURANȚĂ NECESARE PENTRU PROTEJAREA UTILIZATORULUI PE BAZA UNEI ESTIMĂRI A EXPUNERII ÎN CONDIȚIILE EFECTIVE DE UTILIZARE (LUÂND ÎN CALCUL TOATE ETAPELE CICLULUI DE OPERARE, PRECUM PERIOADELE CÂND PRODUSUL ESTE OPRIT SAU CÂND FUNCȚIONEAZĂ ÎN GOL, PE LÂNGĂ PERIOADELE DE UTILIZARE EFECTIVĂ).

Explicații privind eticheta energetică

Mașină de tuns iarba: MCT1191LWM

MCT = MAC Allister (numele mărcii)

1191 = Cod secvențial

LWM = Mașină de tuns iarba

Mașină de tuns iarba: TTT1192LWM

TTT = TITAN (numele mărcii)

1192 = Cod secvențial

LWM = Mașină de tuns iarba

RO Pregătire

Despachetarea



NOTĂ: Produsul este greu, roagă o altă persoană să te ajute, dacă este necesar.

1. Despachetează toate componentele și pune-le pe o suprafață plată și stabilă.
2. Îndepărtează toate ambalajele și dispozitivele de expediere dacă există.
3. Verifică dacă articolele din pachet sunt complete și intacte. În cazul în care constatăi că unele piese lipsesc sau sunt deteriorate, nu utiliza produsul, ci contactează distribuitorul. Utilizarea unui produs incomplet sau deteriorat reprezintă un pericol la adresa oamenilor și a bunurilor materiale.
4. Verifică dacă ai toate uneltele și accesorii necesare pentru asamblare și operare. Acestea includ și echipamentul individual de protecție adecvat.



AVERTISMENT! PRODUSUL ȘI AMBALAJUL NU SUNT JUCĂRII PENTRU COPII! COPIII NU AU VOIE SĂ SE JOACE CU PUNGILE DIN PLASTIC, CU FOLIILE SAU CU PIESELE MICI! EXISTĂ PERICOL DE ÎNGHIȚIRE ȘI SUFOCARE!

Vei avea nevoie de

(articole nefurnizate)

Echipament individual de protecție adecvat
Cheie adecvată
Ulei de lubrifiere adecvat
Acumulator adecvat (24) pentru EAN 5063022638076
și 5063022637567
Încărcător (25) pentru EAN 5063022638076 și
5063022637567

(articole furnizate)

Colector de iarbă (7)
Cuțit (22)
Accesoriu de mărunțire (23)



NOTĂ: Accesoriile necesare depind de utilizarea avută în vedere. Cere sfatul distribuitorului.

RO Asamblare



AVERTISMENT! PRODUSUL TREBUIE SĂ FIE COMPLET ASAMBLAT ÎNAINTE DE UTILIZARE!



NU FOLOSI UN PRODUS ASAMBLAT PARȚIAL SAU ASAMBLAT CU PIESE DETERIORATE!



POARTĂ MĂNUȘI DE PROTECȚIE PENTRU OPERAȚIUNEA DE ASAMBLARE ȘI PUNE ÎNTOTDEAUNA PRODUSUL PE O SUPRAFAȚĂ PLANĂ ȘI STABILĂ CÂND O ASAMBLEZI.

URMEAZĂ INSTRUCȚIUNILE DE ASAMBLARE PAS CU PAS ȘI FOLOSEȘTE-TE DE IMAGINILE OFERITE CA GHID VIZUAL PENTRU A ASAMBLĂ UȘOR PRODUSUL!

ÎNAINTE DE A UTILIZA PRODUSUL, FAMILIARIZEAZĂ-TE CU CARACTERISTICILE DE OPERARE ALE ACESTUIA ȘI CITEȘTE INTEGRAL MANUALUL DE INSTRUCȚIUNI, ACORDÂND O ATENȚIE DEOSEBITĂ REGULILOR DE SIGURANȚĂ ȘI PROCEDURILOR DE OPERARE.

NU CONECTA PRODUSUL LA ACUMULATOR (24) ÎNAINTE DE A FI COMPLET ASAMBLAT!



NOTĂ: Ai grijă de componentele mici scoase în timpul asamblării sau la efectuarea reglajelor. Păstrează-le în siguranță pentru a evita pierderea lor.

Dacă este necesar, roagă o altă persoană să te ajute când assemblezi produsul.

Asamblarea mânerului

1. Pune produsul pe o suprafață plană și dreaptă.
2. Slăbește cele două butoane de blocare (8a) în sens antiorar pe barele mânerului inferior (6), dar nu le scoate (fig. 1, pasul 1).
3. Ține mânerul de prindere (2) cu o mână și depliază ansamblul mânerului (4, 6) (fig. 1, pasul 2).
4. Aliniazi triunghiul indicator (6b) de pe placa selectoare (6a) cu unul dintre indicatoarele de înălțime a mânerului (9b/9c) de pe suportul mânerului (9), apoi fixează ansamblul mânerului (4, 6) strângând butoanele de blocare (8a) (fig. 2).
5. Ai grijă să montezi barele mânerului inferior (6) la aceeași înălțime în ambele părți.
6. Ai grijă să treci cablul de control (20) pe deasupra barei mânerului inferior (6).

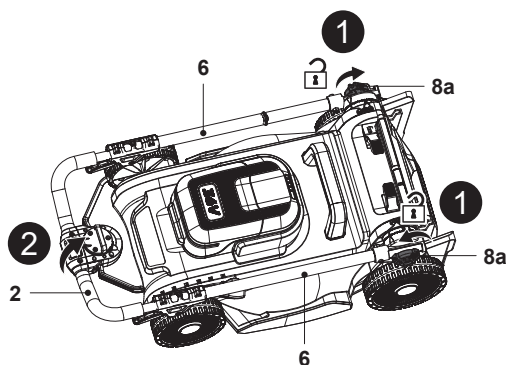


Fig. 1

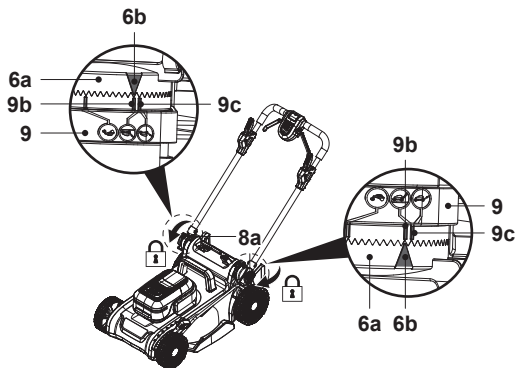


Fig. 2

7. Deschide cele două manete de blocare (5), apoi ține mânerul de prindere (2) și trage treptat bara mânerului superior (4) până la capăt (fig. 3, pașii 1 și 2).



AVERTISMENT! TRAGE SAU ÎMPINGE CU GRIJĂ BARA MÂNERULUI SUPERIOR (4). NU FOLOSI FORȚĂ BRUSC!



NOTĂ: Utilizează mașina de tuns iarba numai cu bara mânerului superior (4) trasă complet în afară! Nu lucra cu bara mânerului superior (4) fixată în poziția de mijloc.

8. Închide cele două manete de blocare (5) și verifică dacă bara mânerului superior (5) este fixată (fig. 3, pasul 3).

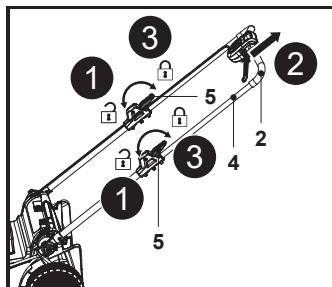


Fig. 3



AVERTISMENT! ASIGURĂ-TE CĂ CELE DOUĂ MANETE DE BLOCARE (5) SUNT STRÂNSE CORESPUNZĂTOR ÎNAINTE DE A FOLOSI PRODUSUL.

9. Fixează cablul de control (20) în clemele cablului (19) care pot fi preinstalate pe bara mânerului inferior (6) (fig. 4).

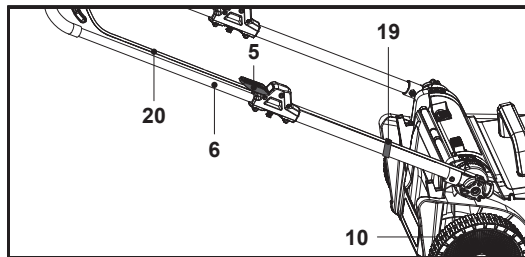


Fig. 4

10. Verifică starea cablului de control (20) și ține-l la distanță de roata din spate (10).

Colectorul de iarbă

1. Prinde cele trei cleme din cauciuc (7b) pe tija de susținere (7c) a colectorului de iarbă (7) (fig. 5).
2. Asamblează mânerul de transport (7a) în cele două fante de asamblare de pe cadrul superior al colectorului de iarbă (7), având grijă să-l orientezi corect (fig. 6).
3. Înainte de utilizare, asigură-te că mânerul de transport (7a) este fixat bine.
4. Deschide deflectorul spate (18) și ține-l în poziție (fig. 7, pasul 1).
5. Transportă colectorul de iarbă (7) ținându-l de mânerul de transport (7a).

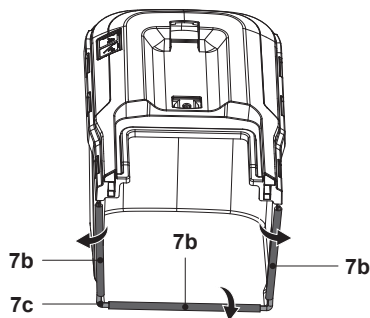


Fig. 5

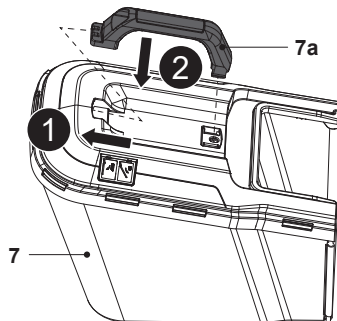


Fig. 6

6. Aliniaza cele două cârlige (7d) ale colectorului cu fantele (21a) și prinde colectorul (7) (fig. 7, pasul 2).
7. Apoi eliberează cu grijă deflectorul spate (18).

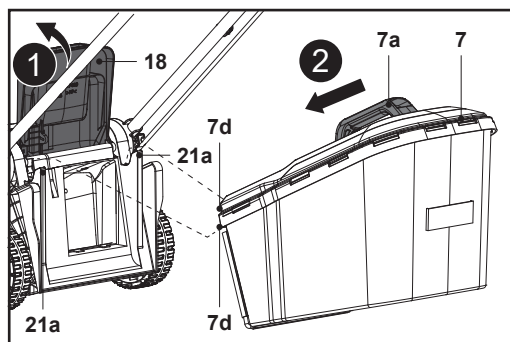


Fig. 7



NOTĂ: Transportă întotdeauna colectorul de iarbă (7) ținându-l de mânerul de transport (7a). Înainte de a prinde colectorul de iarbă (7), verifică dacă în jgheabul de evacuare spate (21) nu se află accesoriul de mărunțire (23). Îndepărtează accesoriul de mărunțire (23) înainte de a prinde colectorul de iarbă (7).



NOTĂ: Accesoriul de mărunțire (23) trebuie scos când se folosește colectorul de iarbă (7).

Acumulator

Montarea acumulatorului

1. Deschide capacul magnetic (15c) și capacul compartimentului pentru acumulator (15) (fig. 8, pasul 1).
2. Aliniaza acumulatorul (24) cu cele două fante de glisare (15b) și glisează-l înăuntru pentru a-l fixa (fig. 8, pasul 2).
3. Asigură-te că introduci complet contactele electrice (15a) în acumulator (24) și că acesta se fixează în poziție cu un clic.
4. Acumulatorul (24) se poate instala într-o singură direcție.
5. Închide cu grijă capacul compartimentului pentru acumulator (15).

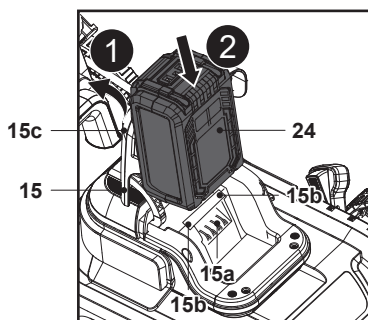


Fig. 8

Scoaterea acumulatorului

Acumulatorul (24) nu poate fi încărcat în timp ce este în mașina de tuns iarba. Scoate acumulatorul (24) din compartiment pentru a-l încărca.

1. Deschide capacul magnetic (15c) și capacul compartimentului pentru acumulator (15) (fig. 9, pasul 1).
2. Apasă în jos butonul de eliberare (24a) pentru a debloca piedica acumulatorului (24) (fig. 9, pasul 2).
3. Glisează acumulatorul (24) afară din compartiment (fig. 9, pasul 3).
4. Închide cu grijă capacul compartimentului pentru acumulator (15).

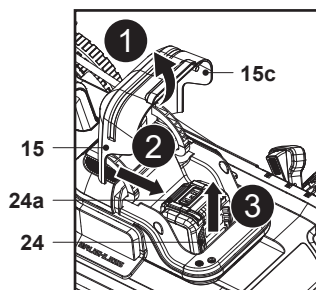


Fig. 9

Încărcarea acumulatorului

Acumulatorul (24) este livrat cu un nivel redus de încărcare. Încarcă-l complet înainte de prima utilizare. Consultă manualul de instrucțiuni al încărcătorului pentru detalii.

Indicatoare de capacitate a acumulatorului

Acumulatorul (24) este echipat cu indicatoare de capacitate (24c) pentru a vedea care este nivelul de încărcare rămas. Apasă pe butonul de capacitate a acumulatorului (24b) pentru a verifica nivelul (fig. 10). Ledurile vor rămâne aprinse circa 3 secunde.

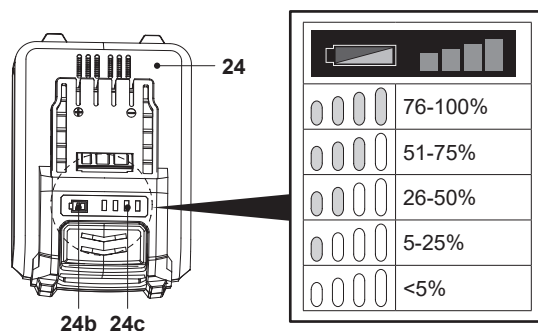


Fig. 10

RO Funcții și setări

Scopul utilizării

Această mașină de tuns iarba fără fir este proiectată cu o tensiune nominală de 36 V . Este concepută pentru a fi utilizată numai cu acumulatorul precizat în capitolul „Specificații tehnice”.

Acest produs este numai pentru tuns iarba în grădinile personale. Nu trebuie utilizat pentru tăierea ierbii foarte înalte, uscate sau umede, de ex. iarbă de pășune, sau pentru tocarea frunzelor.

Este interzisă utilizarea acestui produs în condiții de umezeală sau ploaie.

Din motive de siguranță, este esențială citirea întregului manual de instrucțiuni înaintea primei utilizări și respectarea tuturor instrucțiunilor din el.

Acest produs este doar pentru uz casnic privat, nu pentru vreo formă de uz comercial. Nu trebuie folosit în niciun alt scop decât cele descrise.

Reglarea înălțimii mânerului



AVERTISMENT! OPREȘTE PRODUSUL ȘI SCOATE ACUMULATORUL (24). AȘTEAPTĂ PÂNĂ CÂND CUȚITUL (22) SE OPREȘTE COMPLET ÎNAINTE DE A REGLA ÎNĂLȚIMEA MÂNERULUI!

Reglează ansamblul mânerului la o înălțime adecvată pentru nevoile tale. Se poate alege între două înălțimi de mâner.

1. Ține ansamblul mânerului (4, 6) cu o mână.
2. Depliază cele două manete de fixare (8) cu cealaltă mână și apoi rotește ansamblul mânerului (4, 6) la cealaltă poziție de înălțime (fig. 11, pașii 1 și 2).
3. Asigură-te că triunghiul indicator (6b) este aliniat cu indicatorul de înălțime a mânerului (9b/9c), apoi pliază cele două manete de fixare (8) pentru a fixa ansamblul mânerului (4, 6) (fig. 11, pasul 3).
4. Ai grijă ca ansamblul mânerului (4, 6) să fie montat la aceeași înălțime pe ambele părți.

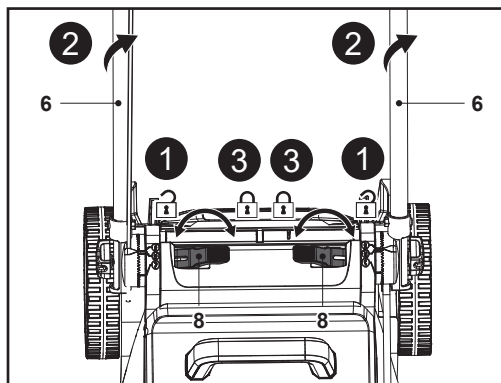


Fig. 11

Reglarea înălțimii de tăiere



AVERTISMENT! OPREȘTE PRODUSUL ȘI SCOATE ACUMULATORUL (24). AȘTEAPTĂ PÂNĂ CÂND CUȚITUL (22) SE OPREȘTE COMPLET ÎNAINTE DE A REGLA ÎNĂLȚIMEA DE TĂIERE!

ASIGURĂ-TE CĂ MANETA SE CUPLEAZĂ ÎNTRE DOI DINȚI!

PENTRU PRIMA TĂIERE A SEZONULUI TREBUIE ALEASĂ O ÎNĂLȚIME DE TĂIERE ADECVATĂ. NU ALEGE O ÎNĂLȚIME DE TĂIERE MICĂ DACĂ IARBA ESTE ÎNALTĂ ȘI GRASĂ, DEOARECE EXISTĂ RISCUL CA MOTORUL SĂ NU POATĂ PORNII CORECT.

CÂND PORNEȘTI MAȘINA DE TUNS IARBA, EVALUEAZĂ ÎNĂLȚIMEA IERBII. DACĂ IARBA ESTE PEA ÎNALTĂ, MAȘINA DE TUNS IARBA NU VA PORNII. ÎN ACEST CAZ, MĂREȘTE ÎNĂLȚIMEA DE TĂIERE. ACEASTĂ POSIBILITATE DE REGLARE ÎȚI PERMITE SĂ PROTEJEZI MOTORUL ȘI SĂ ÎMBUNĂTĂȚEȘTI DURATA DE VIAȚĂ A ACUMULATORILOR.

Reglează înălțimea de tăiere în funcție de nevoile gazonului tău. Înălțimea de tăiere depinde de tipul de gazon și de înălțimea sa efectivă. Când tunzi iarbă înaltă, începe cu înălțimea maximă de tăiere și fă o a doua tăiere cu o înălțime de tăiere mai mică.

1. Ține apăsat butonul de blocare (12a) (fig. 12, pasul 1).
2. Mișcă maneta (12) înainte sau înapoi pentru a regla înălțimea de tăiere (fig. 12, pasul 2).
3. Eliberează butonul de blocare (12a) și asigură-te că maneta (12) se cuplează corect în poziție (fig. 12, pasul 3).

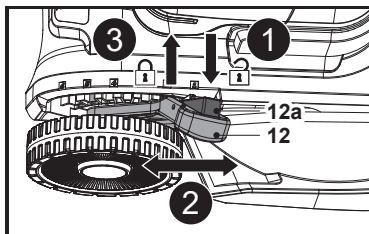


Fig. 12



AVERTISMENT! AI GRIJĂ CA MANETA (12) SĂ INTRE ÎN FANTĂ DUPĂ FIECARE REGLARE.



NOTĂ: Înălțimea de tundere poate fi reglată între 25 și 75 mm în 6 trepte.

Valorile înălțimii de tundere sunt orientative. În funcție de condițiile gazonului sau ale solului, înălțimea efectivă a gazonului poate deveni ușor diferită de înălțimea setată.

Colectorul de iarbă



AVERTISMENT! NU ÎNCERCA SĂ FOLOSEȘTI PRODUSUL FĂRĂ COLECTORUL DE IARBĂ (7) MONTAT CÂND STRÂNGI IARBA – PERICOL DE OBIECTE PROIECTATE!

OPREȘTE PRODUSUL ȘI SCOATE ACUMULATORUL (24). AȘTEAPTĂ PÂNĂ CÂND CUȚITUL (22) SE OPREȘTE COMPLET ÎNAINTE DE A SCOATE COLECTORUL DE IARBĂ (7)!

1. Când folosești produsul pentru a strânge iarbă, montează întotdeauna colectorul de iarbă (7) conform descrierii din secțiunea „Asamblare – colectorul de iarbă”.
2. Transportă întotdeauna colectorul de iarbă (7) ținându-l de mâner (7a).

Indicator

Colectorul de iarbă (7) este echipat cu o trapă (7f) care arată nivelul de umplere în timpul funcționării.

1. Când trapa (7f) este deschisă, colectorul de iarbă (7) mai are suficient loc pentru iarbă (fig. 13).
2. Când trapa (7f) este închisă, colectorul de iarbă (7) este plin și trebuie golit (fig. 14).

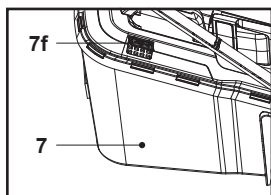


Fig. 13

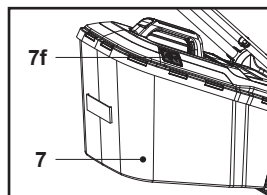


Fig. 14

Golirea



AVERTISMENT! OPREȘTE PRODUSUL ȘI SCOATE ACUMULATORUL (24), APOI AȘTEAPTĂ PÂNĂ CÂND CUȚITUL (22) SE OPREȘTE COMPLET ÎNAINTE DE A SCOATE COLECTORUL DE IARBĂ (7)!

Golește des colectorul de iarbă (7) în timpul utilizării. Nu aștepta până când se umple complet. Recomandăm să-l golești când este plin în proporție de 90% sau dacă există urme de iarbă tăiată pe gazon.



NOTĂ: Dacă este plin, colectorul de iarbă (7) va reduce performanța produsului.

1. Ridică deflectorul spate (18) și ține-l în poziție.
2. Ridică din fante (21a) cârligele (7d) și scoate colectorul de iarbă (7).
3. Golește resturile vegetale din jgheabul de evacuare spate (21) în colectorul de iarbă (7). Folosește un instrument adecvat, de exemplu o perie.
4. Scoate colectorul de iarbă (7) ținându-l de mânerul de transport (7a).
5. Golește resturile vegetale într-o movilă de compost, ținând de mânere (7a, 7e).
6. Montează la loc colectorul de iarbă (7) și ai grijă să prinzi corect cârligele (7d) în fante (21a), conform descrierii din secțiunea „Asamblare – colectorul de iarbă”.



AVERTISMENT! NU-ȚI FOLOSI NICIODATĂ MÂINILE SAU PICIOARELE PENTRU A ÎNDEPĂRTA RESTURILE VEGETALE DIN JGHEABUL DE EVACUARE SPATE (21)!



Accesoriu de mărunțire

Accesoriu de mărunțire (23) împiedică colectarea ierbii prin blocarea jgheabului de evacuare spate (21). În felul acesta, resturile vegetale sunt depuse înapoi pe gazon în timpul tăierii.



NOTĂ: Mărunțirea presupune tăierea ierbii tăiate și depunerea ei pe gazon într-un singur pas: resturile vegetale sunt tăiate foarte fin și apoi răspândite uniform pe gazon. În condiții normale, iarba mărunțită se va degrada rapid pentru a-i furniza nutrienți gazonului.

Nu monta simultan colectorul de iarbă (7) și accesoriul de mărunțire (23).

1. Deschide deflectorul spate (18), ține în poziție mânerul încastrat (23a) și introdu până la capăt accesoriul de mărunțire (23) în jghebul de evacuare spate (21) (fig. 15).
2. Ridică mânerul încastrat (23a) și trage accesoriul de mărunțire (23) până îl scoți complet afară din jghebul de evacuare spate (21) (fig. 16).

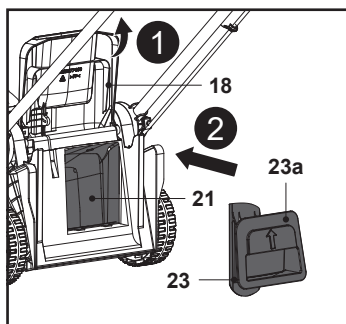


Fig. 15

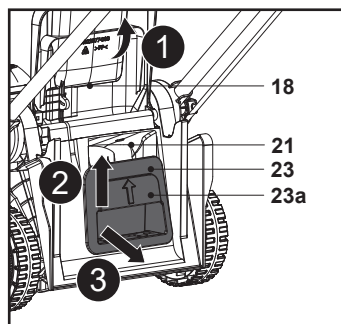


Fig. 16

Sistemul de protecție a mașinii / bateriei

Mașina de tuns iarba are un sistem de protecție încorporat. Acest sistem întrerupe automat alimentarea motorului pentru a prelungi durata de viață a produsului și a bateriei. Mașina de tuns iarba se va opri automat în timpul funcționării dacă se află în una dintre următoarele situații.

Protecție la suprasarcină

Când este operat într-un mod care îl face să tragă un curent anormal de mare, produsul se oprește automat fără a da vreun semn. În această situație, oprește produsul și oprește utilizarea care a provocat suprasarcina. Apoi pornește produsul pentru a relua.

Protecție la supraîncălzire

Când acumulatorul se supraîncălește, produsul se oprește automat. Lasă produsul să se răcească înainte de a-l porni din nou.

Protecție la descărcare excesivă

Când nivelul acumulatorului scade, produsul se oprește automat. Dacă produsul nu funcționează nici când acționezi comutatoarele, scoate acumulatorii și încarcă-i.

RO Utilizare

Utilizarea generală

1. Înainte de fiecare utilizare, verifică dacă produsul, acumulatorul, încărcătorul și accesoriile nu prezintă semne de deteriorare. Nu utiliza produsul dacă este deteriorat sau dacă prezintă semne de uzură. Ocupă-te de eventualele probleme identificate sau du produsul la un specialist calificat în vederea verificării.
2. Asigură-te încă o dată că accesoriile și elementele atașate sunt fixate corect.
3. Împinge întotdeauna produsul folosind mânerul de prindere (2). Păstrează mânerul uscat pentru o susținere sigură.

- Asigură-te că fantele de aerisire (16b) sunt în permanență neobstrucționate și curate. Dacă este necesar, curăță-le cu o perie moale. Fantele de aerisire blocate pot duce la supraîncălzirea și deteriorarea produsului.
- Oprește imediat produsul și scoate acumulatorul (24) dacă în zona de lucru pătrund alte persoane în timp ce lucrezi. Lasă întotdeauna produsul să se oprească complet înainte de a-l lăsa nesupravegheat.
- Nu te suprasolicita. Fă pauze regulate pentru a te asigura că te poți concentra asupra lucrului și că deții controlul total asupra produsului.

Pornirea / oprirea



AVERTISMENT! ÎNAINTE DE PORNIRE, PUNE PRODUSUL PE O SUPRAFAȚĂ PLANĂ ȘI FĂRĂ IARBĂ ÎNALTĂ!



CURĂȚĂ PARTEA DE DEDESUBT A PUNȚII!

PORNEȘTE MOTORUL CU ATENȚIE, CONFORM INSTRUCȚIUNILOR. ȚINE PICIOARELE LA DISTANȚĂ DE CUȚIT (22)!

NU ÎNCLINA PRODUSUL CÂND PORNEȘTI MOTORUL.

Pornirea



NOTĂ: Produsul poate fi pornit numai apăsând comutatorul de siguranță (1) și strângând apoi manetele de pornire (3). Produsul nu poate fi pornit prin operare inversă.

- Deschide capacul magnetic (15c) și capacul compartimentului pentru acumulator (15), apoi introdu complet acumulatorul (24).
- Închide cu grijă capacul compartimentului pentru acumulator (15).
- Stai în spatele mânerului de prindere (2).
- Ținând apăsat comutatorul de siguranță (1), trage manetele de pornire (3) spre mânerul de prindere (2) și ține-le în poziție (fig. 17, pașii 1 și 2).
- După ce mașina de tuns iarba pornește, eliberează comutatorul de siguranță (1).
- Nivelul efectiv al acumulatorului va fi indicat pe afișajul acestuia (16a) de pe spatele capacului motorului (16).
- Împinge produsul înainte pentru a începe tunsul.

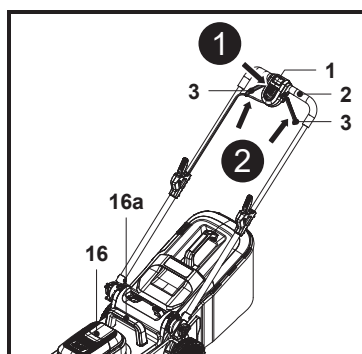


Fig. 17

Oprirea

Eliberează manetele de pornire (3) pentru a opri motorul și cuțitul (22) (fig. 18).

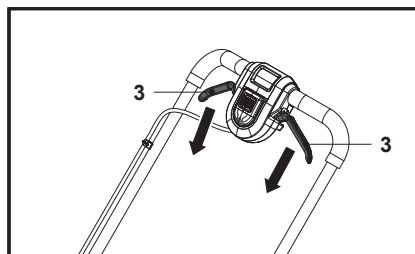


Fig. 18

Tundere

1. Asigură-te că pe gazon nu sunt pietre, bețe, cabluri sau alte obiecte care ar putea deteriora produsul sau cuțitul.
2. Nu tunde iarbă udă, deoarece are tendința să se lipească de partea de dedesubt a mașinii, împiedicând evacuarea adecvată a resturilor vegetale, și poate cauza alunecări și căzături.
3. Pentru a avea un gazon sănătos, nu tăia niciodată mai mult de o treime din lungimea totală a ierbii. Toamna, gazonul trebuie tuns numai atât timp cât iarba crește.
4. Împinge produsul lent înainte.
5. Tunde în rânduri care se suprapun puțin. Tiparul cel mai eficient pentru tunderea gazonului este cel în linii drepte de-a lungul unei laturi. Astfel, rândurile rămân egale și tot gazonul este tuns fără a omite vreun loc (fig. 19).

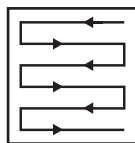


Fig. 19

6. Deplasează-te în cerc în jurul straturilor de flori. Când ajungi la un strat de flori din mijlocul gazonului, fă o tură sau două în jurul circumferinței sale.
7. Fii foarte atent când schimbi direcția.
8. Golește periodic colectorul de iarbă (7).



AVERTISMENT! DACĂ PRODUSUL LOVEȘTE UN OBIECT STRĂIN, OPREȘTE-L IMEDIAT! LASĂ PRODUSUL SĂ SE RĂCEASCĂ ȘI VERIFICĂ CU ATENȚIE DACĂ NU EXISTĂ DETERIORĂRI! REMEDIAZĂ ORICE DETERIORARE ÎNAINTE DE A REPORNI!



VIBRAȚIILE EXCESIVE ALE MAȘINII ÎN TIMPUL FUNCȚIONĂRII INDICĂ O DETERIORARE! MAȘINA TREBUIE INSPECTATĂ ȘI REPARATĂ FĂRĂ ÎNTĂRZIERE!

9. Pregătește produsul pentru utilizarea avută în vedere.

Funcție	Colectorul de iarbă	Accesoriu de mărunțire
Colectarea ierbii	montat	scos
Mărunțire	scos	introdus

Colectarea ierbii

1. Scoate accesoriul de mărunțire (23) și montează colectorul de iarbă (7).
2. Golește periodic colectorul de iarbă (7).

Mărunțire



NOTĂ: Mărunțirea presupune tăierea ierbii tăiate și depunerea ei pe gazon într-un singur pas: resturile vegetale sunt tăiate foarte fin și apoi răspândite uniform pe gazon. În condiții normale, iarba mărunțită se va degrada rapid pentru a-i furniza nutrienți gazonului.

1. Introdu accesoriul de mărunțire (23) în jghebul de evacuare spate (21) și ai grijă ca la produs să nu fie montat colectorul de iarbă (7).
2. Nu tunde iarba când este udă de ploaie sau rouă. Iarba udă poate forma grămezi, care interferează cu acțiunea de mărunțire și reduce durata de funcționare. Cel mai bun moment pentru a tunde iarba este după-amiaza târziu, când iarba este uscată, iar suprafața tunsă nu va fi expusă la lumina directă a soarelui.
3. Setează înălțimea de tăiere la circa o treime din lungimea firelor de iarbă, ideal nu mai mult de 35 mm o dată, pentru performanță optimă de mărunțire. Dacă gazonul a crescut prea mult, poate fi necesar să mărești înălțimea de tăiere pentru a reduce efortul de împingere și a preveni supraîncărcarea motorului. În caz de mărunțire extrem de dificilă, recomandăm să tai întâi la o înălțime mare, iar apoi din nou la o înălțime mai mică. Sau fă tăieturi mai înguste și tunde cu o viteză mai mică.
4. Pentru performanță optimă, nu lăsa ca pe carcasă să se depună iarbă acumulată. Din când în când oprește produsul și așteaptă să se oprească total cuțitul. Apoi întoarce produsul pe o parte laterală. Cu ajutorul unui obiect cum ar fi un băț din lemn, îndepărtează orice acumulare de iarbă din zona cuțitului. Fii atent la muchiile ascuțite ale cuțitului. Curăță frecvent după ce tai iarba proaspătă și după fiecare utilizare.
5. Anumite tipuri de iarbă sau condiții de iarbă pot necesita ca iarba dintr-o zonă să fie mărunțită a doua oară pentru a dispersa complet iarba pe gazon. Când tunzi iarba a doua oară, recomandăm să tai perpendicular (transversal) pe primul model de tăiere. Nu schimba modelul de tăiere în vreun fel care să te oblige să tunzi la vale.
6. Schimbă modelul de tăiere în fiecare săptămână. Acest lucru va preveni mătuirea și granulara gazonului.

După utilizare

1. Oprește produsul, scoate acumulatorul (24) și lasă-l să se răcească.
2. Inspectează, curăță și depozitează produsul după cum se descrie mai jos.

Reguli esențiale privind îngrijirea



AVERTISMENT! OPREȘTE ÎNTOTDEAUNA PRODUSUL, SCOATE-I ACUMULATORUL (24) ȘI LASĂ-L SĂ SE RĂCEASCĂ ÎNAINTE DE A EFECTUA OPERAȚIUNI DE VERIFICARE, ÎNTREȚINERE ȘI CURĂȚARE!



EFFECTUEAZĂ LUCRĂRI DE ÎNGRIJIRE ȘI ÎNTREȚINERE DOAR ÎN CONFORMITATE CU ACESTE INSTRUCȚIUNI! TOATE CELELALTE LUCRĂRI TREBUIE EFECTUATE DE UN SPECIALIST CALIFICAT!

1. Păstrează produsul curat. Îndepărtează reziduurile după fiecare utilizare și înainte de depozitare.
2. Curățarea regulată și corectă va garanta o utilizare sigură și va prelungi durata de viață a produsului.
3. Inspectează produsul înainte de fiecare utilizare pentru a identifica eventuale componente uzate sau deteriorate. Nu folosi produsul dacă depistezi componente uzate sau deteriorate.



AVERTISMENT! EFECTUEAZĂ LUCRĂRI DE REPARAȚII ȘI ÎNTREȚINERE DOAR ÎN CONFORMITATE CU ACESTE INSTRUCȚIUNI! TOATE CELELALTE LUCRĂRI TREBUIE EFECTUATE DE UN SPECIALIST CALIFICAT!

Curățarea generală

1. Curăță produsul cu o cârpă umedă și săpun cu pH neutru. Folosește o perie pentru zonele greu accesibile.
2. Folosind o cârpă și o perie, curăță în mod special comutatoarele și fantele de aerisire după fiecare utilizare.
3. Îndepărtează murdăria persistentă cu aer la presiune ridicată (max. 3 bar).



NOTĂ: Nu utiliza substanțe chimice, alcaline, abrazive sau alți detergenți ori dezinfectanți agresivi pentru curățarea acestui produs, deoarece îi pot deteriora suprafețele.

4. Verifică dacă există deteriorări sau uzură. Înainte de a-l folosi din nou, repară deteriorările conform acestui manual de instrucțiuni sau du produsul la un centru de service autorizat.

Piese de schimb / piese de rezervă

Următoarele piese din acest produs pot fi înlocuite de utilizator. Piesele de schimb sunt disponibile la un distribuitor autorizat sau prin serviciul nostru de relații cu clienții.

Descriere	Codul piesei
Colector de iarbă (7)	199011000059 / 199011000065
Cuțit (22)	201045000459
Acumulator (24)	MDVB36-4 / TTB812BAT / MCT1239BAT / TTT1240BAT
Încărcător (25)	MFC36 / TTB815CHR / MCB1241CHR / TTB1242CHR

Întreținere

Înainte și după fiecare utilizare, asigură-te că produsul și accesoriile (sau elementele atașate) nu prezintă semne de uzură și deteriorare. Dacă este necesar, schimbă-le cu unele noi, așa cum se descrie în acest manual de instrucțiuni. Respectă cerințele tehnice.

Partea de dedesubt și cuțitul



AVERTISMENT! POARTĂ MĂNUȘI DE PROTECȚIE CÂND LUCREZI CU CUȚITUL (22)! FOLOSEȘTE UNELTE ADECVATE PENTRU A ELIMINA RESTURILE, DE EXEMPLU UN BĂȚ SAU O PERIE DE MÂNĂ. NU OPERA NICIODATĂ CU MĂINILE NEPROTEJATE!



UTILIZEAZĂ ÎNTOTDEAUNA PIESE ORIGINALE PENTRU ÎNLOCUIRE. CUȚITUL TREBUIE ÎNLOCUIT CU O PIESĂ CU NR. DE IDENTIFICARE A022050-025. NU MONTA NICIUN ALT TIP DE CUȚIT!



ÎNLOCUIREA CUȚITULUI TREBUIE EFECTUATĂ DE UN SPECIALIST CALIFICAT! NU SE RECOMANDĂ REPRELUCRAREA SAU ASCUȚIREA CUȚITELOR DECÂT DACĂ ACESTE OPERAȚIUNI SUNT EFECTUATE LA UN ATELIER DE REPARAȚII SAU DE UN SPECIALIST CU CALIFICĂRI SIMILARE!

1. Păstrează partea de dedesubt și cuțitul (22) curate și fără reziduuri. Îndepărtează resturile vegetale din jgheabul de evacuare spate (21).
2. Înainte de utilizare, verifică periodic dacă toate elementele de prindere, precum piulițele și șuruburile, sunt strânse bine. După o utilizare îndelungată, mai ales pe sol nisipos, cuțitul se va uza și își va pierde parțial forma inițială. Eficiența de tăiere va fi redusă, iar cuțitul trebuie înlocuit.
3. Păstrează cuțitul (22) ascuțit pentru o bună performanță de tăiere. Înlocuiește cuțitul uzat sau deteriorat cu unul nou de același tip sau apelează la un specialist calificat pentru a-l ascuți.
4. Slăbește șurubul de montare (22c) în sens antiorar utilizând o cheie electrică de impact adecvată (dimensiune: 13 mm) (fig. 20) și scoate-l împreună cu șaiba plată (22b) și cuțitul (22).

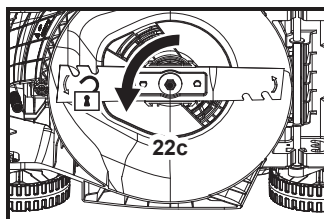


Fig. 20



NOTĂ: Dacă se utilizează o cheie de mână în locul uneia electrice de impact, trebuie împiedicată rotirea cuțitului (22) în timpul slăbirii șurubului. Poartă mănuși rezistente și prinde bine cuțitul. Dacă este necesar, utilizează o bucată de lemn de dimensiuni adecvate pentru a bloca rotirea cuțitului (fig. 21).

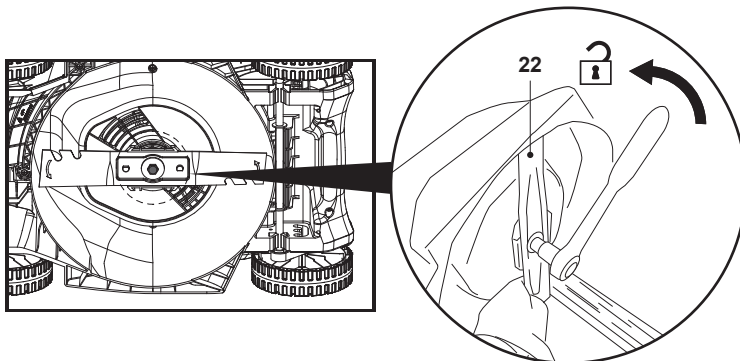


Fig. 21

5. Înlocuiește cuțitul (22) cu unul nou de același tip. Verifică mai întâi starea suportului cuțitului (22a) pe ax, apoi fixează cuțitul (22) pe suport (22a) aliniindu-l cu modelele de pe suport, fixează ansamblul cu șaiba plată (22b) și șurubul de montare (22c) și strânge cu mâna.
6. Ține bine cuțitul (22) cu o mână protejată cu mănușă rezistentă și/sau cu un băț, strânge șurubul de montare (22c) în sens orar la min. 25 Nm, max. 30 Nm pentru funcționarea în siguranță a produsului (fig. 22).

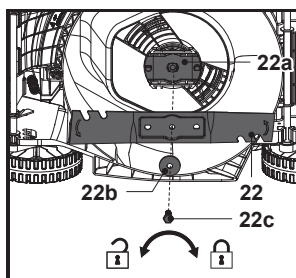


Fig. 22



AVERTISMENT! ÎNAINTE DE FIECARE UTILIZARE, ASIGURĂ-TE CĂ TOATE PIESELE DE FIXARE ȘI CUȚITUL (22) SUNT MONTATE CORECT ȘI STRÂNSE BINE.

UTILIZEAZĂ NUMAI ȘURUBURI DE MONTARE ORIGINALE (22C) PENTRU ÎNLOCUIRE.

7. Înlocuiește acest cuțit (22) indiferent de starea sa după 50 de ore de tuns sau la 2 ani, în funcție de care interval survine primul. Dacă se crapă sau se deteriorează, cuțitul (22) trebuie înlocuit imediat cu unul nou.
8. Lubrifiază cuțitul (22) după fiecare utilizare pentru a prelungi durata sa de viață și pe cea a produsului. Aplică puțin ulei pentru utilaje pe marginea cuțitului (22).

Colectorul de iarbă

1. Inspectează colectorul de iarbă (7) înainte de fiecare utilizare. Nu îl utiliza dacă este deteriorat.
2. Curăță colectorul de iarbă (7) cu apă și detergent delicat după utilizare.
3. Lasă colectorul de iarbă (7) să se usuce bine înainte de a-l depozita, pentru a evita formarea mușgaiului.

Cablul de control

Inspectează cablul de control (20) înainte de fiecare utilizare.



AVERTISMENT! NU FOLOSI PRODUSUL CÂND CABLUL DE CONTROL (20) ESTE DEFECT SAU DESPRINS!

Reparare

Acest produs nu conține nicio piesă care poate fi reparată de utilizator. Pentru verificare și reparare, contactează un centru de service autorizat sau o persoană cu un nivel de calificare similar.

Depozitare

1. Oprește produsul și scoate acumulatorul (24) înainte de depozitare.
2. Curăță produsul după cum se descrie mai sus.
3. Depozitează produsul și accesoriile într-un loc întunecos, uscat, ferit de îngheț și bine ventilat.
4. Depozitează întotdeauna produsul într-un loc inaccesibil copiilor. Temperatura ideală de depozitare este între 10 și 30 °C.
5. Recomandăm ca mașina de tuns iarba (fără acumulator) să fie depozitată în ambalajul original sau să fie acoperită cu un material textil sau o husă adecvată pentru a-l proteja de praf.
6. Încarcă acumulatorul până când apar 3 linii pe indicatorul luminos înainte de depozitare.
7. Mănerul pot fi pliate complet în vederea depozitării:
 - Scoate colectorul de iarbă (7) / accesoriul de mărunțire (23).
 - Pune maneta pentru reglarea înălțimii de tăiere (12) în poziția cea mai joasă.
 - Slăbește cele două manete de fixare (8), apoi pliază complet ansamblul mânerului (fig. 23, pașii 1 și 2).
 - Fixează conexiunile blocând cele două manete de fixare (8) și asigură-te că triunghiul indicator (6b) este aliniat cu indicatorul de parcare (9a) pentru a evita extinderea (fig. 23, pasul 3).
 - Depozitează mașina de tuns iarba în poziție orizontală sau verticală (fig. 24).

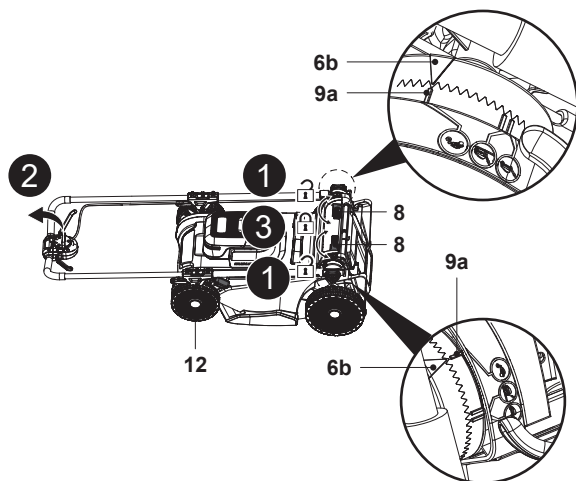


Fig. 23

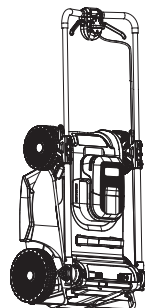


Fig. 24

8. Se recomandă depozitarea mașinii de tuns iarba cu colectorul de iarbă (7) prins și cu accesoriul de mărunțire (23) instalat în ea (fig. 25).

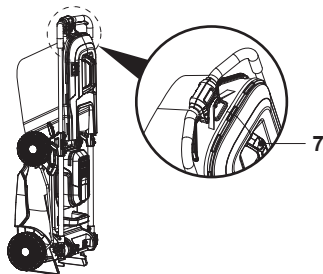


Fig. 25

9. Pentru a economisi spațiu, deschide cele două manete de blocare (5) și introdu mînerul superior până la capăt, strânge conexiunile (5, 8) și asigură-te că triunghiul indicator (6b) este aliniat cu indicatorul de parcare (9a) pentru a evita extinderea (fig. 26).
10. Depozitează mașina de tuns iarba în poziție orizontală sau verticală (fig. 27).

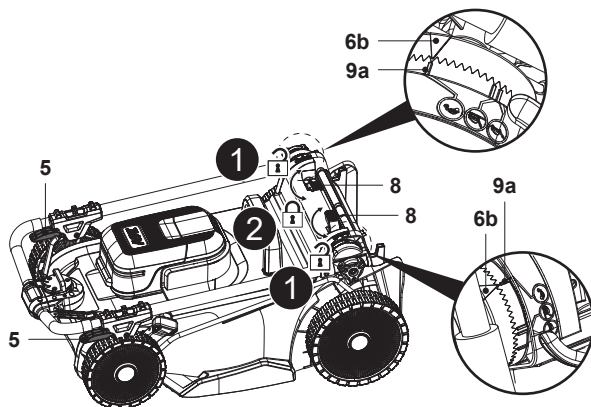


Fig. 26

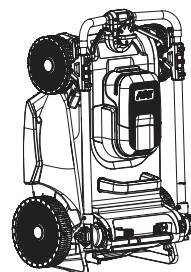


Fig. 27

Transport

1. Oprește produsul și scoate acumulatorul (24) înainte de transport.
2. Montează protecții de transport dacă este cazul.
3. Transportă întotdeauna produsul ținându-l de mânerele de transport (14, 17).
4. Protejează produsul de lovituri puternice sau de vibrații puternice care ar putea avea loc în timpul transportului în vehicule.
5. Fixează produsul pentru a împiedica alunecarea sau căderea sa, deteriorările sau răniile.

Depanare

Defecțiunile suspectate au deseori cauze care pot fi remediate de utilizator. Prin urmare, verifică produsul utilizând această secțiune. În majoritatea cazurilor, problema poate fi remediată rapid.



AVERTISMENT! EFECTUEAZĂ NUMAI PAȘII DESCRIȘI ÎN ACESTE INSTRUCȚIUNI! DACĂ NU POȚI REZOLVA PROBLEMA, TOATE CELELALTE VERIFICĂRI, LUCRĂRI DE ÎNTREȚINERE SAU REPARAȚII TREBUIE EFECTUATE DE UN CENTRU DE SERVICE AUTORIZAT SAU DE UN SPECIALIST CU CALIFICARE SIMILARĂ!

Problemă	Cauză posibilă	Soluție
1. Produsul nu pornește	1.1. Acumulatorul nu este montat corect	1.1. Montează corect
	1.2. Acumulatorul este descărcat	1.2. Scoate și încarcă acumulatorul
	1.3. Acumulatorul este fierbinte	1.3. Scoate și lasă să se răcească
	1.4. Acumulatorul este deteriorat	1.4. Trebuie verificat de un electrician calificat
	1.5. Metode incorecte a porni produsul	1.5. Ține apăsat comutatorul de siguranță, apoi trage maneta de pornire pentru a porni produsul
	1.6. Altă defecțiune electrică la produs	1.6. Trebuie verificat de un electrician calificat
2. Produsul nu ajunge la puterea maximă	2.1. Capacitatea acumulatorului este prea scăzută	2.1. Încarcă acumulatorul
	2.2. Fantele de aerisire sunt blocate	2.2. Curăță fantele de aerisire
3. Rezultate de tăiere nesatisfăcătoare	3.1. Cuțitul este tocit sau deteriorat	3.1. Înlocuiește-l cu unul nou
	3.2. Materialul de tăiat depășește capacitatea	3.2. Taie numai materiale potrivite cu capacitatea produsului.
	3.3. Înălțimea de tăiere este incorectă	3.3. Reglează înălțimea de tăiere
4. Produsul se oprește brusc	4.1. Acumulatorul este descărcat	4.1. Scoate și încarcă acumulatorul
	4.2. Acumulatorul este prea fierbinte	4.2. Scoate acumulatorul și lasă-l să se răcească
	4.3. Cuțitul este blocat	4.3. Îndepărtează blocajul
5. Vibrații sau zgomot în exces	5.1. Cuțitul este tocit sau deteriorat	5.1. Înlocuiește-l cu unul nou
	5.2. Materialul de tăiat depășește capacitatea	5.2. Taie numai materiale potrivite cu capacitatea produsului
	5.3. Înălțimea de tăiere este incorectă	5.3. Reglează înălțimea de tăiere
	5.4. Șuruburile / piulițele sunt slăbite	5.4. Strânge șuruburile / piulițele

Reciclarea și eliminarea deșeurilor



Acest simbol este cunoscut drept „simbolul tomberonului cu roți barat cu un X”.

Când un produs sau o baterie afișează acest simbol, înseamnă că nu trebuie să fie eliminate împreună cu gunoiul menajer general.

Unele substanțe chimice conținute de produsele electrice/electronice sau de baterii pot fi dăunătoare pentru sănătate și mediu.

Elimină articolele electrice/electronice sau bateriile uzate numai prin programele centrelor de colectare separate, care se ocupă de recuperarea și reciclarea materialelor din componența lor.

Colaborarea ta este vitală pentru succesul acestor programe și pentru protecția mediului.

Produsul este livrat într-un ambalaj care îl protejează de deteriorări în timpul transportului. Păstrează ambalajul până când ești sigur că au fost livrate toate componentele și produsul funcționează corect. Reciclează ambalajul după aceea.

Eliminarea unui acumulator uzat



Acest acumulator este de tip Li-ion. Pentru a conserva resursele naturale, reciclează sau elimină acumulatorii în mod corespunzător. Consultă autoritatea locală pentru colectarea deșeurilor pentru informații despre opțiunile de reciclare și/sau eliminare disponibile.

Descarcă acumulatorul utilizând produsul, apoi scoate-l din produs și acoperă-i conexiunile cu bandă adezivă foarte rezistentă, pentru a împiedica scurtcircuitarea și descărcarea curentului.

Nu încerca să deschizi sau să scoți vreo componentă.

Garanție

Avem o grijă deosebită să selectăm materiale de înaltă calitate și să utilizăm tehnici de fabricare care ne permit să creăm produse care încorporează designul și durabilitatea. Acest produs de garanție din partea producătorului de 2 ani pentru defectele de fabricație, de la data achiziției (dacă este cumpărat din magazin) sau de la data livrării (dacă este cumpărat online), fără niciun cost suplimentar pentru uz casnic normal (nu profesional sau comercial).

Pentru a efectua o solicitare în temeiul acestei garanții, trebuie să prezentați dovada achiziției (cum ar fi, chitanța de vânzare/bonul fiscal, factura de achiziție sau alte dovezi admisibile conform legii aplicabile); vă rugăm să păstrați dovada achiziției într-un loc sigur. Pentru ca această garanție să se aplice, produsul achiziționat trebuie să fie nou, garanția neaplicându-se pentru produse la mâna a doua sau produse de prezentare. Cu excepția cazului în care legislația aplicabilă prevede altfel, orice produs înlocuitor livrat în baza prezentei garanții va beneficia de garanție doar până la expirarea perioadei inițiale de garanție.

Prezenta garanție acoperă defectiunile produsului și erorile de funcționare, cu condiția ca produsul să fi fost utilizat în scopul prevăzut și să fi fost instalat, curățat, îngrijit și întreținut în conformitate cu informațiile conținute în termenii și condițiile prezente, manualul de utilizare și practicile standard, cu condiția ca practicile standard să nu fie în contradicție cu manualul de utilizare.

Această garanție nu acoperă defectele și deteriorările provocate de uzura normală sau daunele care pot fi rezultatul utilizării necorespunzătoare, instalării sau asamblării defectuoase, neglijenței, accidentelor, utilizării greșite sau modificărilor aduse produsului. Cu excepția cazului în care legislația aplicabilă prevede altfel, prezenta garanție nu va acoperi, în niciun caz, costurile suplimentare (de expediere, deplasare, dezinstalare și reinstalare, manoperă etc.) sau daunele directe și indirecte.

Această garanție nu acoperă defectele și deteriorările cauzate sau rezultate din:

- Uzura normală a produsului, inclusiv uzura accesoriilor;
- Supraîncărcare, utilizare incorectă sau neglijență;
- Încercarea de efectuare a reparațiilor de altă persoană în afară de un agent autorizat;
- Daune cosmetice;
- Deteriorări cauzate de obiecte străine, substanțe sau accidente;
- Deteriorări sau modificări accidentale;
- Nerespectarea îndrumărilor producătorului;
- Pierderea utilizării bunurilor.

Dacă produsul este defect, vom proceda, într-un timp rezonabil, la repararea, înlocuirea, returnarea banilor, operațiuni de service sau oferire piese de schimb.

Drepturile acoperite de această garanție sunt aplicabile în țara în care ați achiziționat produsul. Întrebările legate de garanție trebuie adresate magazinului de la care ați achiziționat produsul.

Garanția este suplimentară drepturilor dvs. legale și nu le afectează.

Dacă achiziționați acest produs din Turcia sau România, veți primi o garanție.

**IMPORTANT – PĂSTRAȚI ACESTE
INFORMAȚII PENTRU REFERINȚE VIITOARE:
CITIȚI CU ATENȚIE**



(EN) EU DECLARATION OF CONFORMITY
(FR) DÉCLARATION UE DE CONFORMITÉ
(PL) DEKLARACJA ZGODNOŚCI UE
(RO) DECLARAȚIA DE CONFORMITATE UE
(ES) DECLARACIÓN UE DE CONFORMIDAD
(PT) DECLARAÇÃO DE CONFORMIDADE UE

Product/Produit/Produkt/Produsul/Producto/Produto

- Cordless lawnmower 36 V 38 cm / Tondeuse à gazon 36 V 38 cm / Kosiarka akumulatorowa 36 V 38 cm / Mașină de tuns iarba, fără fir 36 V 38 cm / Cortacésped 36 V 38 cm / Corta-relva sem fios 36 V 38 cm
- MCT1191LWM / TTT1192LWM, 38 cm
- SN: 000001 to 999999

Name and address of the manufacturer or his authorised representative:

Nom et adresse du fabricant ou de son mandataire:

Nazwa i adres producenta lub jego upoważnionego przedstawiciela:

Denumirea și adresa producătorului sau a reprezentantului său autorizat:

Nombre y dirección del fabricante o de su representante autorizado:

Nome e endereço do fabricante ou do respetivo mandatário:

Kingfisher International Products B.V.,
Rapenburgerstraat 175E,
1011 VM Amsterdam,
The Netherlands

This declaration of conformity is issued under the sole responsibility of the manufacturer.

La présente déclaration de conformité est établie sous la seule responsabilité du fabricant.

Niniejsza deklaracja zgodności wydana zostaje na wyłączną odpowiedzialność producenta.

Prezenta declarație de conformitate este emisă pe răspunderea exclusivă a producătorului.

La presente declaración de conformidad se expide bajo la exclusiva responsabilidad del fabricante.

A presente declaração de conformidade é emitida sob a exclusiva responsabilidade do fabricante.

Object of the declaration/Objet de la declaration/Przedmiot deklaracji/Obiectul declarației/Objeto de la declaración/Objeto da declaração

Product/Produit/Produkt/Produsul/Producto/Produto	Model/Modèle/Model/Modelul/Modelo/ Modelo	EAN
Cordless lawnmower 36 V 38 cm / Tondeuse à gazon 36 V 38 cm / Kosiarka akumulatorowa 36 V 38 cm / Mașină de tuns iarba, fără fir 36 V 38 cm / Cortacésped 36 V 38 cm / Corta-relva sem fios 36 V 38 cm	MCT1191LWM TTT1192LWM	5063022637161 5063022636959 5063022638076 5063022637727 5063022637062 5063022637567

The object of the declaration described above is in conformity with the relevant Union harmonisation legislation:

L'objet de la déclaration décrit ci-dessus est conforme à la législation d'harmonisation de l'Union applicable:

Wymieniony powyżej przedmiot niniejszej deklaracji jest zgodny z odnośnymi wymaganiami unijnego prawodawstwa harmonizacyjnego:

Obiectul declarației descris mai sus este în conformitate cu legislația relevantă de armonizare a Uniunii:

El objeto de la declaración descrita anteriormente es conforme con la legislación de armonización pertinente de la Unión:

O objeto da declaração acima descrito está em conformidade com a legislação de harmonização da União aplicável:

2006/42/EC as amended Machinery Directive
 2014/30/EU as amended Directive Electromagnetic compatibility
 2000/14/EC as amended Outdoor Noise Directive
 2011/65/EU as amended Directive on the restriction of the use of certain hazardous substances in electrical and electronic equipment
 Directive 2006/42/CE relative aux machines
 2014/30 / UE telle que modifiée Directive Compatibilité électromagnétique
 Directive 2000/14/CE relative aux émissions sonores extérieures
 Directive 2011/65/UE relative à la limitation de l'utilisation de certaines substances dangereuses dans les équipements électriques et électroniques
 2006/42/WE w zmienionej dyrektywie maszynowej
 2014/30 / UE ze zmianami Dyrektywa Kompatybilność elektromagnetyczna
 2000/14/WE w zmienionej dyrektywie w sprawie hałasu na zewnątrz
 2011/65/UE zgodnie z wprowadzonymi poprawkami Dyrektywa w sprawie ograniczenia stosowania niektórych niebezpiecznych substancji w sprzęcie elektrycznym i elektronicznym
 2006/42/CE, astfel a fost modificată Directiva privind echipamentele
 2014/30/UE, astfel a fost modificată Directiva privind compatibilitatea electromagnetică
 2000/14/CE, astfel a fost modificată Directiva privind zgomotul în aer liber
 2011/65/UE cum a fost modificată Directiva Restricțiile de utilizare a anumitor substanțe periculoase în echipamentele electrice și electronice
 Directiva sobre maquinaria modificada 2006/42/CE
 2014/30/UE modificada Directiva Compatibilidad electromagnética
 2000/14/CE modificada Directiva sobre ruido al aire libre
 2011/65/UE según enmendado Directiva sobre restricciones a la utilización de determinadas sustancias peligrosas en aparatos eléctricos y electrónicos
 2006/42/CE como diretiva de máquinas alteradas
 2014/30/UE como alteração da compatibilidade eletromagnética
 2000/14/CE como diretiva de ruído exterior alterada
 2011/65/UE conforme alterado Directiva Restrição do uso de determinadas substâncias perigosas em equipamentos eléctricos e electrónicos

Measured Sound Power Level

Le niveau de puissance acoustique mesuré

Zmierzony poziom mocy akustycznej

Nivel de putere acustică măsurat

Nivel de potencia sonora medido

Nível de potência sonora medido

: 86.92 dB(A)

Guaranteed Sound Power Level

Le niveau de puissance acoustique garant

Gwarantowany poziom mocy akustycznej

Nivel de putere acustică garantat

Nivel de potencia sonora garantizado

Nível de potência sonora garantido

: 88 dB(A)

TÜV Rheinland LGA Products GmbH, Tillystraße 2 - 90431 Nürnberg, Germany (No.0197) performed EC-Type Examination according to Outdoor Noise Directive 2000/14/EC Annex VI. EC Type Approval No: JO 60182474 0001.

TÜV Rheinland LGA Products GmbH, Tillystraße 2 - 90431 Nürnberg, Germany (No.0197) a effectué l'examen CE de type conformément à l'annexe VI de la directive 2000/14/CE sur le bruit extérieur. Approbation de type CE Non : JO 60182474 0001.

TÜV Rheinland LGA Products GmbH, Tillystraße 2 - 90431 Nürnberg, Germany (No.0197) przeprowadził badanie typu WE zgodnie z dyrektywą w sprawie hałasu zewnętrznego 2000/14/WE załącznik VI. Homologacja typu WE nr: JO 60182474 0001.

TÜV Rheinland LGA Products GmbH, Tillystraße 2 - 90431 Nürnberg, Germany (No.0197) a efectuat examinarea CE de tip în conformitate cu Directiva privind zgomotul exterior 2000/14/CE anexa VI. Nr. omologare CE de tip: JO 60182474 0001.

TÜV Rheinland LGA Products GmbH, Tillystraße 2 - 90431 Nürnberg, Germany (No.0197) realizó el examen CE de tipo de acuerdo con la Directiva de ruido exterior 2000/14/CE Anexo VI. No de homologación de tipo CE: JO 60182474 0001.

TÜV Rheinland LGA Products GmbH, Tillystraße 2 - 90431 Nürnberg, Germany (No.0197) realizou o Exame CE do Tipo de acordo com o Anexo VI da Diretiva 2000/14/CE relativa ao ruído exterior. Aprovação do tipo CE Não: JO 60182474 0001.

References to the relevant harmonised standards used or references to the other technical specifications in relation to which conformity is declared:

Références des normes harmonisées pertinentes appliquées, y compris la date de celles-ci, ou des autres spécifications techniques, y compris la date de celles-ci, par rapport auxquelles la conformité est déclarée:

Odwołania do odnośnych norm zharmonizowanych, które zastosowano, wraz z datą normy, lub do innych specyfikacji technicznych, wraz z datą specyfikacji, w odniesieniu do których deklarowana jest zgodność:

Trimiteri la standardele armonizate relevante folosite, inclusiv data standardului, sau trimiteri la celelalte specificații tehnice, inclusiv data specificațiilor, în legătură cu care se declară conformitatea:

Referencias a las normas armonizadas pertinentes utilizadas, incluidas las fechas de las normas, o referencias a las otras especificaciones técnicas, incluidas las fechas de las especificaciones, respecto a las cuales se declara la conformidad:

Referências às normas harmonizadas aplicáveis utilizadas, incluindo a data da norma, ou às outras especificações técnicas, incluindo a data da especificação, em relação às quais é declarada a conformidade:

EN 62841-1: 2015 + A11: 2022

EN IEC 62841-4-3: 2021 + A11: 2021

EN IEC 61000-3-2: 2019 + A1: 2021

EN 61000-3-3: 2013 + A1: 2019 + A2: 2021

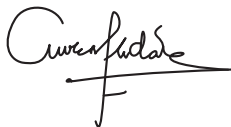
EN IEC 55014-1: 2021

EN IEC 55014-2: 2021

EN IEC 63000: 2018

Authorised signatory and technical file holder / signataire et responsable de la documentation technique autorisé / podmiot uprawniony do wystawienia i adres prezechowywania dokumentacji technicznej / semnatar autorizat și deținător al dosarului tehnic / firmante autorizado y titular del expediente técnico / signatário autorizado e detentor da ficha técnica

Kingfisher International Products B.V.,
Rapenburgerstraat 175E,
1011 VM Amsterdam,
The Netherlands



David Awe
Group Quality Director
Directeur Qualité Groupe
Dyrektor ds. Jakości Grupy
Director Calitate Grup
Director de Calidad del Grupo
Diretor de Qualidade do Grupo

: [09/07/2025]

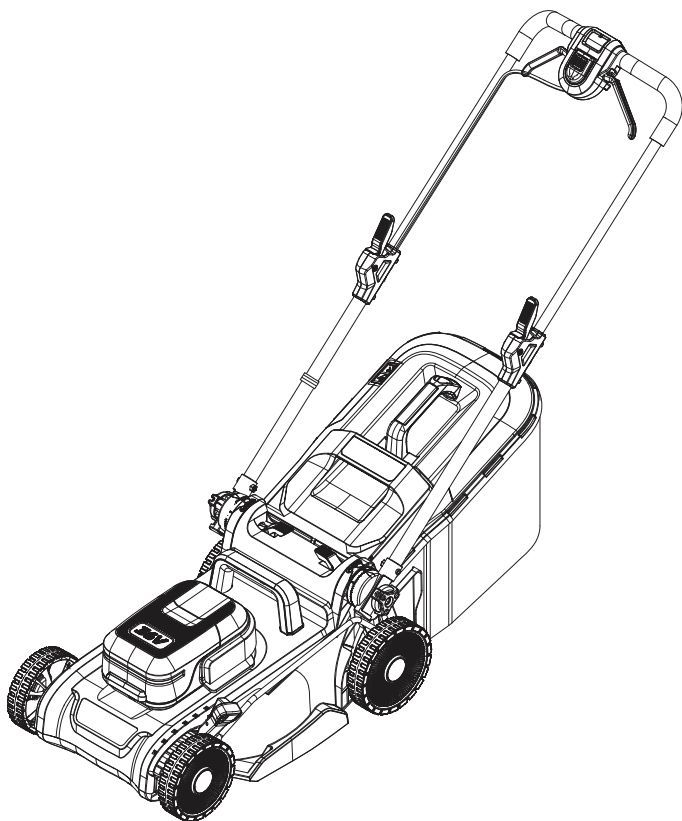
Producător:

EU Manufacturer:

Kingfisher International Products B.V.,
Rapenburgerstraat 175E,
1011 VM Amsterdam,
The Netherlands

RO www.bricodepot.ro

**Pentru a consulta manualele de instrucțiuni
online, vizitați www.kingfisher.com/products**



ES Cortacésped de
36 V y 38 cm

ES INSTRUCCIONES ORIGINALES

IMPORTANTE: Estas instrucciones son para su propia seguridad. Léalas atentamente antes de manipular el producto y guárdelas para futuras consultas.

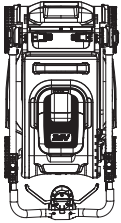


MCT1191LWM
5063022637161
5063022636959
5063022638076

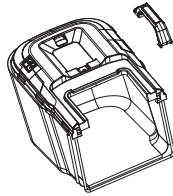
TTT1192LWM
5063022637727
5063022637062
5063022637567

V10825_5063022637161_MAND4_2425_RP0506D

ES Piezas



01. x1



02. x1



03. x1



04. x1

ES Necesitará



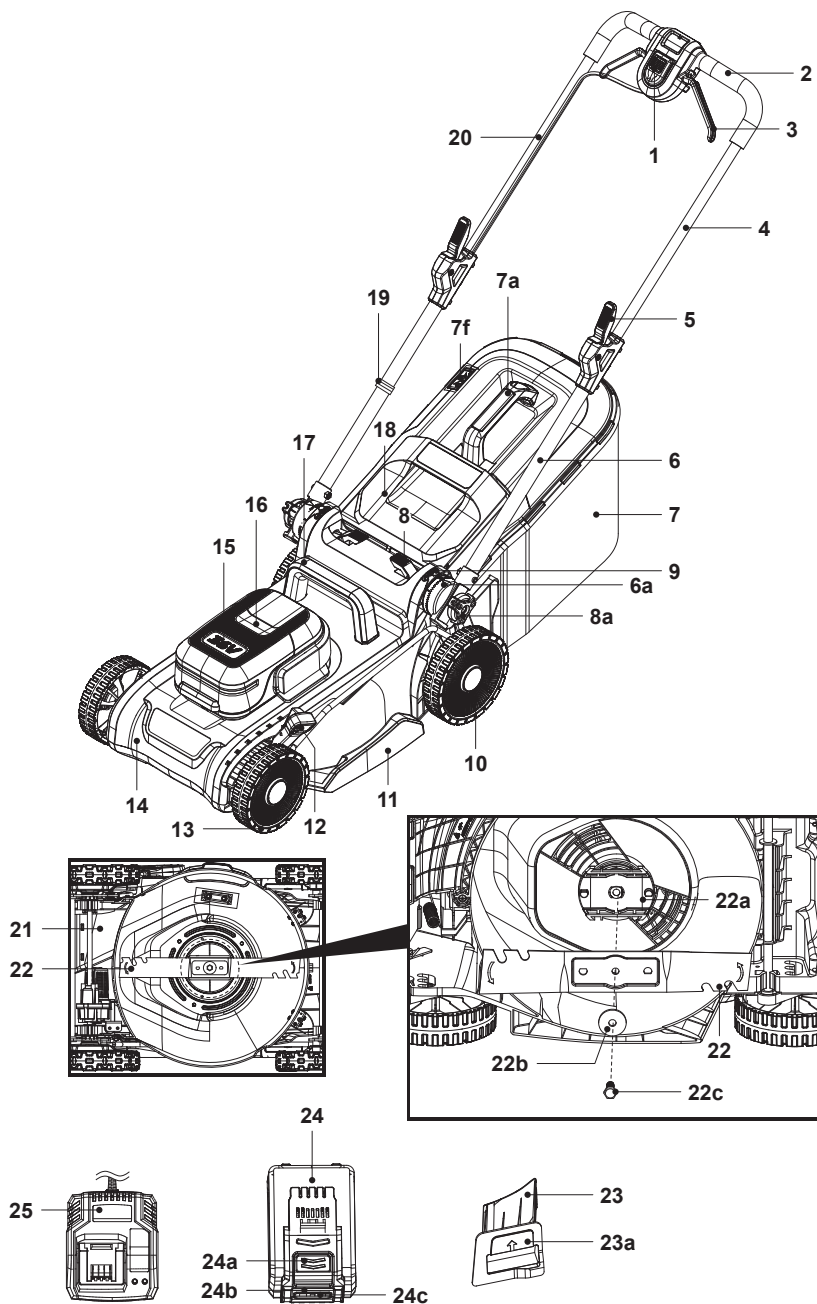
(artículos no suministrados)

- Equipo de protección individual adecuado
- Llave adecuada
- Aceite lubricante adecuado
- Batería (24) para EAN 5063022638076 y 5063022637567
- Cargador (25) para EAN 5063022638076 y 5063022637567

ES Contenido

ES	
Descripción del producto	3
Seguridad	5
Preparación	23
Montaje	24
Funciones y configuración	28
Uso	32
Cuidado y mantenimiento	36
Garantía	42
Declaración de conformidad	44

ES Descripción del producto



1. Interruptor de seguridad
2. Empuñadura de agarre
3. Palanca de arranque (x2)
4. Barra superior del manillar
5. Palanca de bloqueo (x2)
6. Barra inferior del manillar (x2)
 - a. Placa del regulador
 - b. Triángulo indicador*
7. Recogedor de hierba
 - a. Asa de transporte
 - b. Abrazadera de caucho (x3)
 - c. Barra de soporte*
 - d. Gancho del recogedor* (x2)
 - e. Asa trasera*
 - f. Trampilla
8. Palanca de sujeción (2 uds.)
 - a. Mando de bloqueo
9. Soporte del manillar (x2)
 - a. Indicador de estacionamiento*
 - b. Indicador de altura del manillar (alto)*
 - c. Indicador de altura del manillar (bajo)*
10. Rueda trasera (x2)
11. Compartimento de la cuchilla
12. Palanca de ajuste de la altura de corte
 - a. Botón de bloqueo*
13. Rueda delantera (x2)
14. Asa de transporte delantera
15. Tapa del compartimento de la batería
 - a. Contactos eléctricos*
 - b. Ranuras deslizantes* (x2)
 - c. Tapa magnética*
16. Cubierta del motor
 - a. Pantalla de la batería*
 - b. Rejillas de salida del aire*
17. Asa de transporte
18. Protector de deflector trasero
19. Sujetacables (x2, 1 premontado)
20. Cable de control
21. Canal de descarga trasero
 - a. Ranura* (x2)
22. Cuchilla
 - a. Soporte de la cuchilla
 - b. Arandela plana
 - c. Perno de montaje
23. Accesorio triturador
 - a. Asa integrada
24. Batería
 - a. Botón de liberación
 - b. Botón de capacidad de la batería
 - c. Indicadores de capacidad de la batería
25. Cargador



NOTA: Las piezas marcadas con * no se muestran en esta imagen. Consulte la sección correspondiente del manual de instrucciones.



NOTA: En el caso de los productos con el EAN 5063022638076 o 5063022637567, la batería (24) y los cargadores (25) no están incluidos. Tendrá que comprarlos por separado.



Advertencias generales de seguridad de la máquina



ADVERTENCIA: LEA TODAS LAS ADVERTENCIAS DE SEGURIDAD Y PRESTE ATENCIÓN A LAS INSTRUCCIONES, ILUSTRACIONES Y ESPECIFICACIONES QUE SE INCLUYEN CON ESTA MÁQUINA. SI NO SE SIGUEN TODAS LAS INSTRUCCIONES INDICADAS A CONTINUACIÓN, SE PUEDEN PRODUCIR DESCARGAS ELÉCTRICAS, INCENDIOS O LESIONES GRAVES.

GUARDE TODAS LAS ADVERTENCIAS E INSTRUCCIONES PARA FUTURAS CONSULTAS.

EL TÉRMINO "MÁQUINA" EN LAS ADVERTENCIAS SE REFIERE A SU MÁQUINA CONECTADA A LA RED ELÉCTRICA (CON CABLE) O ACCIONADA POR BATERÍA (SIN CABLE).

Seguridad en la zona de trabajo

- **Mantenga la zona de trabajo limpia y bien iluminada.**
Las zonas desordenadas u oscuras favorecen los accidentes.
- **No use máquinas en atmósferas explosivas, tales como en presencia de polvo, gases o líquidos inflamables.**
Las máquinas crean chispas que pueden prender el polvo o los vapores.
- **Mantenga alejados a los niños y a otras personas mientras maneja la máquina.** Las distracciones pueden hacer que pierda el control.

Seguridad eléctrica

- **Los enchufes de la máquina deben coincidir con las tomas de corriente. No modifique el enchufe de ninguna manera. No utilice enchufes adaptadores con máquinas conectadas a tierra.** Los enchufes y las correspondientes tomas de corriente sin modificar reducirán el riesgo de descarga eléctrica.
- **Evite el contacto del cuerpo con superficies con conexión a tierra, como tuberías, radiadores, cocinas eléctricas y refrigeradores.** Existe mayor riesgo de descarga eléctrica si el cuerpo está conectado a tierra.
- **No exponga las herramientas eléctricas a la lluvia ni a condiciones de humedad.** El agua que entre en la herramienta aumentará el riesgo de descarga eléctrica.
- **No haga un mal uso del cable. No tire del cable para transportar, arrastrar ni desenchufar la máquina. Mantenga el cable alejado de fuentes de calor, aceite, bordes afilados o piezas móviles.** Los cables dañados o enredados aumentan el riesgo de descarga eléctrica.
- **Si utiliza la máquina en el exterior, utilice un alargador adecuado para uso al aire libre.** El uso de un cable adecuado para trabajar al aire libre reduce el riesgo de descarga eléctrica.
- **Si fuese inevitable trabajar con una máquina en un lugar húmedo, use una alimentación protegida por un dispositivo de corriente residual (RCD).** El uso de un RCD reduce el riesgo de descarga eléctrica.

Seguridad personal

- **Esté alerta, vigile lo que está haciendo y use el sentido común cuando maneje una máquina. No use una máquina si no ha descansado bien o se encuentra bajo el efecto de drogas, alcohol o medicamentos.** Un momento de distracción mientras maneja la máquina puede causar lesiones personales graves.

- **Use un equipo de protección individual. Utilice siempre protección ocular.** Si los equipos de protección, como mascarillas antipolvo, calzado de seguridad con suela antideslizante, cascos o protecciones auditivas, se utilizan en las condiciones adecuadas, reducirán las lesiones personales.
- **Evite la puesta en marcha accidental de la herramienta. Asegúrese de que el interruptor está en la posición de apagado antes de conectar la alimentación eléctrica o la batería, y antes de coger o transportar la máquina.** Transportar máquinas con el dedo en el interruptor o enchufarlas con el interruptor en posición de encendido puede provocar accidentes.
- **Retire cualquier llave o herramienta de ajuste antes de encender la máquina.** Una llave que se ha dejado fijada en una pieza giratoria de la máquina puede ocasionar lesiones personales.
- **No fuerce la postura. Plante bien los pies y mantenga un equilibrio adecuado en todo momento.** Esto permite un mejor control de la máquina en situaciones imprevistas.
- **Vístase adecuadamente. No se ponga ropa holgada ni joyas. Mantenga el cabello y la ropa alejados de las piezas móviles.** La ropa holgada, las joyas o el cabello largo pueden quedar atrapados en las piezas móviles.
- **Si se proporcionan dispositivos para la conexión de medios de extracción y recogida de polvo, asegúrese de que estén conectados y se usen correctamente.** La recogida de polvo puede reducir los peligros relacionados con este.
- **No se confíe ni ignore los principios de seguridad de la máquina, incluso si está familiarizado con su uso o utiliza máquinas con frecuencia.** Una acción descuidada puede causar lesiones graves en una fracción de segundo.

Uso y cuidados de la máquina

- **No fuerce la máquina. Utilice la máquina correcta para su aplicación.** La máquina correcta hará el trabajo mejor y con mayor seguridad en las condiciones para la que está diseñada.
- **No utilice la máquina si no se enciende y apaga con el interruptor.** Toda máquina que no se pueda controlar con el interruptor es peligrosa y se debe reparar.
- **Desconecte el enchufe de la fuente de alimentación o retire la batería de la máquina, si es extraíble, antes de realizar cualquier ajuste, cambiar accesorios o almacenar la máquina.** Estas medidas de seguridad preventivas reducen el riesgo de que la máquina arranque accidentalmente.
- **Guarde las máquinas que no utilice fuera del alcance de los niños y no permita que personas no familiarizadas con la máquina o con estas instrucciones manejen la máquina.** Las máquinas son peligrosas en manos de usuarios inexpertos.
- **Realice el mantenimiento de las máquinas y los accesorios. Compruebe si hay desalineación o atasco de piezas móviles, rotura de piezas y cualquier otra condición que pueda afectar al buen funcionamiento de la máquina. Si se observan daños, lleve la máquina a reparar antes de usarla.** Muchos accidentes se deben a un mantenimiento deficiente de las máquinas.
- **Mantenga las máquinas para cortar afiladas y limpias.** Los útiles de corte correctamente mantenidos, con bordes de corte afilados, son menos propensos a atascarse y más fáciles de controlar.
- **Use la máquina, los accesorios y las puntas de herramienta, etc. de acuerdo con estas instrucciones y teniendo en cuenta las condiciones de trabajo y la labor que se va a realizar.** El uso de la máquina para operaciones diferentes de las previstas podría dar lugar a situaciones de peligro.
- **Mantenga las empuñaduras y superficies de agarre secas, limpias y sin aceite ni grasa.** Las empuñaduras y superficies de agarre resbaladizas no permiten un manejo y control seguros de la máquina en situaciones imprevistas.

Uso y cuidados de las máquinas con batería

- **Recargue la herramienta solamente con el cargador especificado por el fabricante.** Si utiliza un cargador con una batería para la cual no se ha diseñado, puede crear un riesgo de incendio.
- **Use la máquina solamente con baterías diseñadas específicamente para ella.** El uso de cualquier otra batería puede crear un riesgo de lesiones e incendio.
- **Cuando la batería no se esté utilizando, manténgala alejada de otros objetos metálicos, tales como clips para papel, monedas, llaves, clavos, tornillos u otros objetos metálicos pequeños que puedan crear una conexión entre un terminal y otro.** Un cortocircuito de los terminales de la batería puede causar quemaduras o un incendio.
- **Si se realiza un uso indebido, puede derramarse líquido de la batería; evite el contacto. Si se produce un contacto accidental, enjuáguese con agua. Si el líquido entra en contacto con los ojos, solicite también asistencia médica.** El líquido expulsado de la batería puede provocar irritación o quemaduras.
- **No utilice una batería o máquina que esté dañada o modificada.** Las baterías dañadas o modificadas pueden mostrar un comportamiento impredecible que puede provocar incendios, explosiones o riesgo de lesiones.
- **No exponga la batería ni la máquina al fuego ni a temperaturas excesivas.** La exposición al fuego o a temperaturas superiores a 130 °C puede provocar una explosión.
- **Siga todas las instrucciones de carga y no cargue la batería ni la máquina fuera del rango de temperatura especificado en las instrucciones.** La carga incorrecta o a temperaturas fuera del rango especificado puede dañar la batería y aumentar el riesgo de incendio.

Servicio

- **Lleve a revisar la máquina a un servicio de reparación cualificado que use solo piezas de recambio idénticas.** Esto garantizará que se mantenga la seguridad de la máquina.
- **No repare nunca las baterías dañadas.** El mantenimiento de las baterías debe realizarlo únicamente el fabricante o un servicio técnico autorizado.

Advertencias de seguridad del cortacésped

- **No utilice el cortacésped en condiciones climatológicas adversas, especialmente cuando exista riesgo de rayos.** Esto reduce el riesgo de recibir el impacto de un rayo.
- **Inspeccione minuciosamente la zona donde vaya a utilizar el cortacésped por si hubiera animales salvajes.** El cortacésped puede provocar heridas a los animales durante su funcionamiento.
- **Inspeccione minuciosamente la zona en la que se va a utilizar el cortacésped y retire todas las piedras, palos, alambres, huesos y otros objetos extraños.** Los objetos que salen despedidos pueden provocar lesiones personales.
- **Antes de utilizar el cortacésped, inspeccione siempre visualmente que la cuchilla y su conjunto no estén desgastados ni dañados.** Las piezas desgastadas o dañadas aumentan el riesgo de lesiones.
- **Compruebe el recogedor de hierba con frecuencia en busca de desgaste o deterioro.** Un recogedor de hierba desgastado o dañado puede aumentar el riesgo de lesiones personales.
- **Mantenga las protecciones en su lugar. Las protecciones deben estar en buen estado de funcionamiento y correctamente montadas.** Una protección suelta, dañada o que no funcione correctamente puede provocar lesiones personales.
- **Mantenga todas las entradas de aire de refrigeración limpias de residuos.** Las entradas de aire obstruidas y los residuos pueden provocar sobrecalentamiento o riesgo de incendio.

- **Durante el funcionamiento del cortacésped, lleve siempre calzado antideslizante y de protección. No utilice el cortacésped si va descalzo o lleva sandalias abiertas.** Esto reduce la posibilidad de sufrir lesiones en los pies por contacto con la cuchilla en movimiento.
- **Mientras utilice el cortacésped, lleve siempre pantalones largos.** La piel expuesta aumenta la probabilidad de lesiones causadas por objetos que salen despedidos.
- **No utilice el cortacésped sobre hierba mojada. No corra, camine.** Esto reduce el riesgo de resbalones y caídas que pueden provocar lesiones personales.
- **No utilice el cortacésped en pendientes excesivamente pronunciadas.** Esto reduce el riesgo de pérdida de control, resbalones y caídas que pueden provocar lesiones personales.
- **Cuando trabaje en pendientes, plante bien los pies, trabaje siempre en sentido transversal a la pendiente, nunca hacia arriba o hacia abajo, y extreme las precauciones al cambiar de dirección.** Esto reduce el riesgo de pérdida de control, resbalones y caídas que pueden provocar lesiones personales.
- **Extreme las precauciones al dar marcha atrás o al tirar del cortacésped hacia usted. Preste siempre atención a su entorno.** Esto reduce el riesgo de tropezar durante el funcionamiento.
- **No toque las cuchillas ni otras piezas móviles peligrosas mientras estén en movimiento.** Esto reduce el riesgo de lesiones causadas por las piezas en movimiento.
- **Cuando retire material atascado o limpie el cortacésped, asegúrese de que todos los interruptores de alimentación están apagados y de que la batería está desconectada.** El funcionamiento inesperado del cortacésped puede provocar lesiones personales graves.

Instrucciones de seguridad adicionales del cortacésped

Formación

- Lea las instrucciones atentamente. Familiarícese con los controles y el uso correcto del producto.
- No permita nunca que niños, personas con discapacidad física, sensorial o mental, o bien sin experiencia y conocimientos, o en su caso personas no familiarizadas con estas instrucciones, usen el producto. Las normativas locales pueden restringir la edad del operario.
- Los niños deben estar vigilados para evitar que jueguen con el producto.
- Los niños no pueden realizar labores de limpieza ni de mantenimiento del aparato sin estar supervisados.
- Nunca siegue mientras haya personas, en especial niños, o mascotas en las proximidades.
- Tenga en cuenta que el operario o usuario es responsable de los accidentes o de los riesgos que conlleva el producto para otras personas o su propiedad.

Preparación

- Durante el corte, lleve siempre calzado robusto y pantalones largos. No utilice el producto si anda sin calzado o lleva sandalias abiertas. Evite llevar ropa holgada o que tenga cordones o nudos sueltos.
- Examine a fondo el área en la que se va a utilizar el producto y retire todos los objetos que puedan salir despedidos por acción del producto.
- Antes de utilizarlo, realice siempre una inspección visual para comprobar que la cuchilla, los pernos de la cuchilla y el conjunto de la cuchilla no estén desgastados ni dañados. Sustituya las cuchillas y los pernos desgastados o dañados del conjunto para mantener un correcto funcionamiento. Sustituya las etiquetas dañadas o ilegibles.



PRECAUCIÓN: NO TOQUE UNA CUCHILLA QUE ESTÉ GIRANDO.

Funcionamiento

- Utilice el producto únicamente con luz diurna o artificial óptima.
- Evite utilizar el producto en hierba húmeda siempre que sea posible.
- Asegúrese de no perder el equilibrio en pendiente.
- No corra, camine.
- Corte el césped siguiendo la ladera de las pendientes, nunca hacia arriba y hacia abajo.
- Extreme las precauciones al cambiar de dirección en pendientes.
- No corte en pendientes muy pronunciadas.
- Extreme las precauciones al dar marcha atrás o al tirar del producto hacia usted.
- Detenga las cuchillas si tiene que inclinar el producto para su transporte cuando atravesase superficies que no sean de césped, así como al transportar el producto en el tramo que va a segar.
- Nunca utilice el producto con protectores defectuosos o sin los dispositivos de seguridad, como puedan ser los deflectores o los recogedores de hierba, debidamente colocados.
- Arranque el producto o encienda el motor con cuidado siguiendo las instrucciones y con ambos pies bien apartados de las cuchillas.
- No incline el producto al encender el motor, salvo si el producto tiene que inclinarse para su arranque. En tal caso, no lo incline más de lo estrictamente necesario y levante solo la parte que está apartada del operario.
- No arranque el motor cuando esté de pie delante del canal de descarga.
- No coloque las manos ni los pies cerca ni debajo de los componentes giratorios. Manténgase alejado de la abertura de descarga en todo momento.
- No transporte el producto con la batería insertada.

- Apague el producto y extraiga la batería. Asegúrese de que todos los componentes móviles se han detenido por completo en los siguientes casos:
 - siempre que se aparte del producto.
 - antes de retirar obstrucciones o desatascar el canal.
 - antes de comprobar, limpiar o realizar trabajos en el producto.
 - después de chocar contra un objeto extraño. Inspeccione el producto en busca de daños y haga las reparaciones oportunas antes de reiniciar y utilizar el producto.
- Si el producto empieza a vibrar de forma anómala (compruébelo inmediatamente):
 - busque posibles daños.
 - sustituya o repare las piezas dañadas.
 - compruebe y apriete las piezas sueltas.

Mantenimiento y almacenaje

- Extraiga la batería antes de revisar, limpiar o trabajar sobre el producto y cuando no lo esté utilizando.
- Extraiga la batería antes de realizar tareas de mantenimiento o limpieza.
- Un mantenimiento inadecuado puede producir averías y fallos en el producto.
- Inspeccione y realice un mantenimiento del producto con regularidad. Mantenga todas las tuercas, los pernos y los tornillos bien apretados para asegurarse de que el producto está en condiciones de trabajo seguras.
- Compruebe el recogedor de hierba con frecuencia en busca de desgaste o deterioro.
- Tenga cuidado durante el ajuste del producto para evitar que los dedos queden atrapados entre las cuchillas en movimiento y las partes fijas del producto.
- Deje siempre que el producto se enfríe antes de guardarlo en un recinto cerrado.
- Al realizar el mantenimiento de las cuchillas, tenga en cuenta que, incluso cuando la fuente de alimentación esté apagada, estas aún se pueden mover.

- Sustituya las piezas desgastadas o dañadas como medida de seguridad. Utilice únicamente piezas de repuesto y accesorios originales.
- Lleve guantes de trabajo resistentes al desmontar y volver a montar la cuchilla.
- La reparación del producto solo debe realizarla un centro de servicio autorizado o un especialista cualificado.
- Cuando no se utilice, almacene el producto fuera del alcance de los niños.

Advertencias de seguridad adicionales sobre la batería

- **La batería se debe cargar antes de utilizar el producto.** Consulte siempre las instrucciones del cargador y cargue la batería correctamente.
- **Extraiga la batería del producto cuando no se esté utilizando.**
- **No deje la batería en el cargador cuando no se esté utilizando.**
- **Tras largos periodos de almacenaje, puede ser necesario cargar y descargar la batería varias veces para obtener el máximo rendimiento.**
- **Se puede lograr una mayor vida útil y un mejor rendimiento si se carga la batería a una temperatura ambiente de entre 18 °C y 24 °C.** No cargue la batería a una temperatura ambiente inferior a 5 °C ni superior a 40 °C. Esto es importante, ya que puede evitar daños graves en la batería.
- **No cargue la batería en lugares con humedad.** Esto reducirá el riesgo de descarga eléctrica.
- **No desmonte la batería y evite que esta sufra daños mecánicos. Podría producirse un cortocircuito y salir humo.** Vaya a una zona con aire fresco y solicite atención médica si no se encuentra bien.
- **Cuando deseche baterías, manténgalas separadas de acuerdo con sus diferentes sistemas electroquímicos.**

- No conecte los terminales positivo y negativo de la batería entre sí con ningún objeto metálico (como alambre).
- No transporte ni guarde la batería junto a collares, horquillas ni ningún otro objeto metálico.
- No perfore la batería con clavos, no la golpee con un martillo, no la pise ni la someta a impactos o golpes fuertes.
- No suelde directamente sobre la batería.
- No exponga la batería al agua (ni dulce ni salada) y no deje que se moje.
- No desmonte ni modifique la batería.
- No coloque la batería cerca del fuego, estufas u otros lugares a altas temperaturas. No exponga la batería directamente a la luz solar ni la utilice o almacene en el interior de vehículos en condiciones de altas temperaturas.
- No coloque la batería en microondas, recipientes de alta presión ni en utensilios de cocina de inducción.
- Si tiene intención de guardar una batería durante un periodo sin utilizarla, guárdela a una temperatura ambiente de 19 °C a 25 °C, con una carga de 3 barras en las luces del indicador de carga. Si la almacena durante periodos muy largos, recargue la batería una vez al año para evitar que se descargue en exceso.

Control sanitario

Todos los empleados deben incluirse en un programa empresarial de control de salud para ayudar a identificar cualquier enfermedad relacionada con las vibraciones en una fase temprana, evitar la progresión de la enfermedad y evitar bajas laborales.

Reducción de ruido y vibraciones

Para reducir el impacto de las emisiones de ruido y vibración, limite el tiempo de uso de la herramienta, utilice métodos de trabajo que reduzcan las vibraciones y el ruido, y utilice equipos de protección personal.

Tenga en cuenta los puntos siguientes para minimizar los riesgos de exposición al ruido y la vibración:

- Utilice el producto solo conforme a su diseño y estas instrucciones.
- Asegúrese de que el producto se conserve en buen estado y reciba un mantenimiento adecuado.
- Utilice los accesorios correctos para el producto y asegúrese de que se encuentren en buen estado.
- Sujete con firmeza la superficie de agarre y las empuñaduras.
- Realice las labores de mantenimiento de este producto de acuerdo con las presentes instrucciones y manténgalo bien lubricado (si procede).
- Planifique su programa de trabajo para distribuir el uso de cualquier herramienta de alta vibración a lo largo de un periodo prolongado.
- El uso prolongado del producto expone al usuario a vibraciones que pueden causar diversos trastornos, conocidos colectivamente como "síndrome de vibración en mano-brazo (HAVS)", por ejemplo, que los dedos se pongan blancos, así como problemas específicos, como el síndrome del túnel carpiano. Para reducir este riesgo al usar el producto, utilice siempre guantes protectores y mantenga las manos calientes.

Emergencia

Familiarícese con el uso de este producto por medio de este manual de instrucciones. Memorice las instrucciones de seguridad y sígalas al pie de la letra. Esto ayudará a evitar riesgos y peligros.

- **Manténgase siempre alerta cuando utilice esta máquina, de modo que pueda reconocer y afrontar los riesgos en una fase temprana.** Una intervención rápida puede evitar lesiones y daños materiales graves.
- **Apague la máquina y extraiga la batería en caso de mal funcionamiento.** Encargue a un profesional cualificado que revise el producto y lo repare, si es necesario, antes de volver a ponerlo en funcionamiento.

Riesgos residuales

Aunque utilice este producto cumpliendo todos los requisitos de seguridad, siguen existiendo riesgos potenciales de lesiones y daños. Pueden surgir los riesgos siguientes en relación con la estructura y el diseño de este producto:


- Problemas de salud resultantes de la emisión de vibraciones si el producto se utiliza durante largos periodos o no se realiza un mantenimiento adecuado.
- Lesiones personales y daños materiales debido a la rotura de los accesorios o el impacto repentino de objetos ocultos durante el uso.
- Peligro de lesiones y daños materiales causados por objetos que salen despedidos o accesorios de poca calidad.



ADVERTENCIA: ESTE PRODUCTO PRODUCE UN CAMPO ELECTROMAGNÉTICO DURANTE SU FUNCIONAMIENTO. EN DETERMINADAS CIRCUNSTANCIAS, ESTE CAMPO PUEDE INTERFERIR CON IMPLANTES MÉDICOS ACTIVOS O PASIVOS. PARA REDUCIR EL RIESGO DE LESIONES GRAVES O LETALES, RECOMENDAMOS QUE LAS PERSONAS CON IMPLANTES MÉDICOS CONSULTEN A SU MÉDICO Y AL FABRICANTE DE DICHS IMPLANTES ANTES DE UTILIZAR ESTE PRODUCTO.

Símbolos

En el producto, en la etiqueta de especificaciones y en estas instrucciones encontrará, entre otros, los siguientes símbolos y abreviaturas. Familiarícese con ellos para reducir los riesgos de lesiones personales y daños materiales.

V 	Voltios (tensión de corriente continua)	mAh	Miliamperios por hora
/min o min ⁻¹	Por minuto	°C	Grados Celsius
n ₀	Velocidad sin carga	L	Litros
g	Gramos	kg	Kilogramos
mm	Milímetros	cm	Centímetros
m	Metros	A	Amperios
dB(A)	Decibelios (ponderación A)	m/s ²	Metros por segundo al cuadrado



Bloquear / fijar o asegurar.



Desbloquear / aflojar.



Lea el manual de instrucciones.



Nota / comentario.



Precaución / advertencia.

yyWxx Código de fecha de fabricación: año (20yy) y semana del año (Wxx) de fabricación.

IPX1 Protección contra la caída vertical de gotas de agua.



Utilice siempre protección auditiva.



Utilice siempre protección ocular.



Utilice una mascarilla antipolvo.



Utilice guantes protectores.



Utilice calzado protector antideslizante.



Utilice ropa protectora ceñida.



ADVERTENCIA: Retire el dispositivo de desactivación antes de realizar labores de mantenimiento.

Apague la máquina y retire la batería antes de realizar labores de montaje, limpieza, ajuste, mantenimiento, almacenaje y transporte.



ADVERTENCIA: Desconecte la batería antes de realizar el mantenimiento.



Esta máquina tiene una clase de protección III.



No esponga el producto a la lluvia ni a condiciones de humedad.



Corte el césped siguiendo la ladera de las pendientes, nunca hacia arriba y hacia abajo.



Examine el área en la que se va a utilizar el producto y retire todos los objetos que puedan salir despedidos por acción del producto. Si hay objetos ocultos durante el funcionamiento, pare el motor y deshágase de ellos.



ADVERTENCIA: Tenga cuidado con los objetos que salgan despedidos y mantenga alejados a los transeúntes.

Los objetos que salgan despedidos por el producto podrían golpear a la persona que lo esté usando o a otras. Asegúrese siempre de que todas las personas y animales se encuentren a una distancia segura del producto cuando esté en funcionamiento. En general, los niños no deben acercarse a la zona en la que se encuentra el producto.



ADVERTENCIA: Mantenga las manos y los pies alejados de las cuchillas.

Peligro de lesiones. Al limpiar, reparar o inspeccionar, asegúrese de que la cuchilla y todas las piezas de corte se hayan detenido.



PELIGRO: Mantenga las manos y los pies apartados.



La cuchilla sigue girando después de apagar el producto. Espere hasta que todos los componentes de la máquina se hayan detenido antes de tocar el producto.



Preste especial atención al trabajar con la cuchilla.



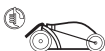
El recogedor de hierba está listo para recoger hierba.



El recogedor de hierba está lleno. Vacíelo.



No abra el protector del deflector trasero cuando el motor esté en marcha.



Mantenga siempre el protector del deflector trasero cerrado mientras el motor esté en marcha.



Valor garantizado del nivel de potencia acústica en 88 dB(A).



Símbolo RAEE. Los residuos de aparatos eléctricos y electrónicos no deben desecharse con la basura doméstica. Deben reciclarse donde existan instalaciones destinadas a tal fin. Consulte a la autoridad local o acuda a una tienda cercana para que le informen sobre las opciones de reciclaje.



Papelera tachada. Las baterías no se deben desechar con la basura doméstica. Deben reciclarse donde existan instalaciones destinadas a tal fin. Consulte a la autoridad local o acuda a una tienda cercana para que le informen sobre las opciones de reciclaje.



No deseche las baterías en ríos ni las sumerja en agua.



No se deshaga de las baterías arrojándolas al fuego. Pueden explotar y provocar lesiones.



No exponga las baterías a una temperatura superior a 40 °C.

No cargue ni almacene la batería con temperaturas por debajo de 5 °C (41 °F) ni por encima de 40 °C (104 °F).




El producto cumple las directivas europeas vigentes; se ha sometido a un método de evaluación de conformidad con estas directivas.

Especificaciones técnicas

General

- > **Tensión nominal** : 36 V
- > **Velocidad sin carga nominal n₀** : 3200 min⁻¹
- > **Anchura de corte** : 38 cm
- > **Grado de la altura de corte** : 25-75 mm, 6 niveles
- > **Volumen del recogedor de hierba** : 45 L
- > **Clase de protección** : Funciona con batería
- > **Grado de protección** : IPX1
- > **Tamaño de las ruedas** : Ø 160 × 40 mm (rueda delantera)
Ø 180 × 40 mm (rueda trasera)
- > **Peso** : 16,85 kg aprox.
- > **Dimensiones** : 134 × 44 × 100 cm aprox.

Batería

- > **N.º de modelo** : MDVB36-4 / TTB812BAT / MCT1239BAT / TTT1240BAT
- > **Tipo** : Iones de litio, 10 celdas INR 21700
- > **Capacidad** : 4 / 8 Ah
- > **Tensión** : 36 / 18 V 
- > **Peso** : 1,05 kg aprox.

Cargador de la batería

- > **N.º de modelo** : MFC36 / TTB815CHR / MCB1241CHR / TTB1242CHR
- > **Salida nominal** : 21 V  , 8 A



NOTA: Este cortacésped de 36 V se utiliza con una batería de doble tensión de 36 / 18 V como las indicadas anteriormente.

Rango de temperatura ambiente para el uso y almacenamiento de las herramientas y baterías: 5-40 °C

Rango de temperatura ambiente para el sistema de carga durante la carga: 5-40 °C

Valores acústicos

- > **Nivel de presión acústica L_{pA}** : 78,77 dB(A)
- > **Incertidumbre K_{pA}** : 3 dB(A)
- > **Nivel medido de potencia acústica L_{WA}** : 86,92 dB(A)
- > **Incertidumbre K_{WA}** : 0,63 dB(A)
- > **Nivel garantizado de potencia acústica L_{WA}**
(de acuerdo con la directiva 2000/14/CE,
modificada por la directiva 2005/88/CE) : 88 dB(A)

Valores de vibración

- > **Vibración en mano y brazo $a_{h,w}$** : 0,346 m/s²
- > **Incertidumbre K** : 1,5 m/s²

Los valores acústicos se han determinado según el código de prueba de ruido indicado en las normas EN 62841-1 y EN IEC 62841-4-3, con las normas básicas EN ISO 3744:

El nivel de intensidad acústica para el operario puede ser superior a 80 dB(A), por lo que es preciso aplicar medidas de protección auditiva. Los valores de vibración totales declarados y los valores de emisión de ruido declarados se han medido conforme a un método de prueba estándar (EN 62841-1, EN IEC 62841-4-3) y pueden utilizarse para comparar una máquina con otra; también pueden utilizarse en una evaluación preliminar de la exposición.



ADVERTENCIA: LA EMISIÓN DE VIBRACIONES Y RUIDO DURANTE EL USO REAL DE LA MÁQUINA PUEDE DIFERIR DEL VALOR TOTAL DECLARADO EN FUNCIÓN DE LA FORMA EN QUE SE UTILICE LA MÁQUINA, Y ESPECIALMENTE EN FUNCIÓN DEL TIPO DE MATERIAL CON EL QUE SE ESTÉ TRABAJANDO.

TENDRÁ QUE IDENTIFICAR MEDIDAS DE SEGURIDAD PARA PROTEGER AL OPERARIO BASADAS EN UNA ESTIMACIÓN DE LA EXPOSICIÓN CON LAS CONDICIONES DE USO REALES (TENIENDO EN CUENTA TODAS LAS FASES DEL CICLO DE FUNCIONAMIENTO, COMO EL TIEMPO QUE LA MÁQUINA PERMANECE APAGADA, EL TIEMPO QUE SE MANTIENE EN MARCHA PERO SIN FUNCIONAR, ADEMÁS DEL TIEMPO DE ACTIVACIÓN).

Explicación de la etiqueta de especificaciones

Cortacésped: MCT1191LWM

MCT = MAC Allister (marca)

1191 = Código secuencial

LWM = Cortacésped

Cortacésped: TTT1192LWM

TTT = TITAN (marca)

1192 = Código secuencial

LWM = Cortacésped

ES Preparación

Desembalaje



NOTA: La máquina es pesada. Pida a otra persona que le ayude si es necesario.

1. Desembale todas las piezas y colóquelas sobre una superficie plana y estable.
2. Retire todos los materiales de embalaje y dispositivos de envío, si procede.
3. Asegúrese de que el contenido esté completo y no haya sufrido daños. Si faltan piezas o estas presentan daños, no utilice la máquina y póngase en contacto con su distribuidor. El uso de un producto incompleto o dañado puede suponer un peligro de lesiones personales y daños materiales.
4. Asegúrese de que tenga todos los accesorios y herramientas necesarios para el montaje y funcionamiento. Esto también incluye el equipo de protección individual adecuado.



ADVERTENCIA: LA MÁQUINA Y EL EMBALAJE NO SON JUGUETES. LOS NIÑOS NO DEBEN JUGAR CON BOLSAS DE PLÁSTICO, HOJAS NI PIEZAS PEQUEÑAS. EXISTE RIESGO DE ATRAGANTAMIENTO Y ASFIXIA.

Necesitará

(artículos no suministrados)

Equipo de protección individual adecuado

Llave adecuada

Aceite lubricante adecuado

Batería (24) para EAN 5063022638076 y 5063022637567

Cargador (25) para EAN 5063022638076 y 5063022637567

(artículos suministrados)

Recogedor de hierba (7)

Cuchilla (22)

Accesorio triturador (23)



NOTA: Los accesorios necesarios dependen del uso previsto. Pida consejo a su distribuidor.



ADVERTENCIA: LA MÁQUINA DEBE ESTAR TOTALMENTE MONTADA ANTES DEL FUNCIONAMIENTO.



NO UTILICE UNA MÁQUINA QUE SOLO ESTÉ PARCIALMENTE MONTADA O MONTADA CON PIEZAS DAÑADAS.



USE GUANTES PROTECTORES PARA ESTE TRABAJO DE MONTAJE Y COLOQUE SIEMPRE LA MÁQUINA EN UNA SUPERFICIE PLANA Y ESTABLE DURANTE EL MONTAJE.

SIGA LAS INSTRUCCIONES DE MONTAJE PASO A PASO Y UTILICE LAS IMÁGENES PROPORCIONADAS COMO GUÍA VISUAL PARA MONTAR FÁCILMENTE EL PRODUCTO.

ANTES DE UTILIZAR LA MÁQUINA, FAMILIARÍCESE CON SUS FUNCIONES Y LEA TODO EL MANUAL DE INSTRUCCIONES, EN ESPECIAL LAS NORMAS DE SEGURIDAD Y LOS PROCEDIMIENTOS DE FUNCIONAMIENTO.

NO CONECTE LA MÁQUINA A LA BATERÍA (24) HASTA QUE ESTÉ COMPLETAMENTE MONTADA.



NOTA: Tenga cuidado con las piezas pequeñas que se retiran durante el montaje o al realizar ajustes. Guárdelas de forma segura para evitar que se pierdan.

Si es necesario, pida a otra persona que le ayude a montar la máquina.

Montaje del manillar

1. Ponga la máquina sobre un terreno llano y uniforme.
2. Afloje los dos mandos de bloqueo (8a) de las barras inferiores del manillar (6) girándolos hacia la izquierda, pero no los quite del todo (Fig. 1, paso 1).
3. Sujete la empuñadura de agarre (2) con una mano y despliegue el conjunto del manillar (4, 6) (Fig. 1, paso 2).
4. Alinee el triángulo indicador (6b) de la placa del regulador (6a) con uno de los indicadores de altura del manillar (9b/9c) del soporte del manillar (9) y, a continuación, apriete los mandos de bloqueo (8a) (Fig. 2) para asegurar el conjunto del manillar (4, 6).
5. Asegúrese de que las dos barras inferiores del manillar (6) están montadas a la misma altura en ambos lados.
6. Asegúrese de que el cable de control (20) pase por la parte superior de la barra inferior del manillar (6).

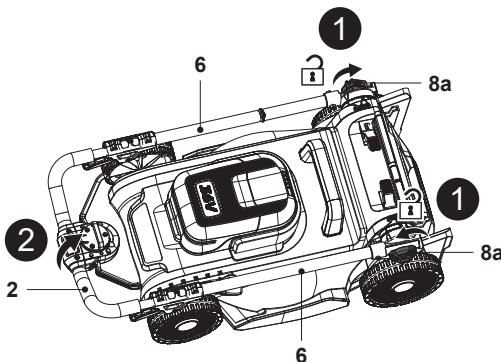


Fig. 1

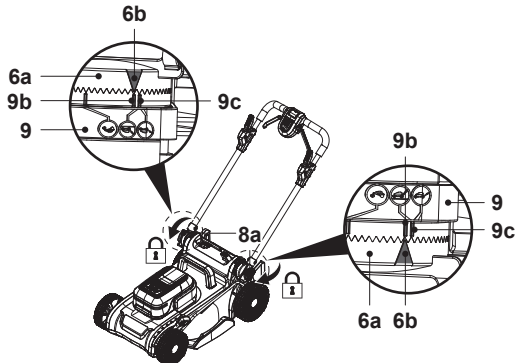


Fig. 2

7. Abra las dos palancas de bloqueo (5), luego sujete la empuñadura de agarre (2) y tire poco a poco de la barra superior del manillar (4) hasta el final (Fig. 3, pasos 1 y 2).



ADVERTENCIA: EMPUJE O TIRE SUAVEMENTE DE LA BARRA SUPERIOR DEL MANILLAR (4). NO APLIQUE UNA FUERZA EXCESIVA.



NOTA: El cortacésped debe utilizarse siempre con la barra superior del manillar (4) completamente extendida. No utilice el producto con la barra superior del manillar (4) fijada en una posición intermedia.

8. Cierre las dos palancas de bloqueo (5) y compruebe si la barra superior del manillar (5) está bien sujeta (Fig. 3, paso 3).

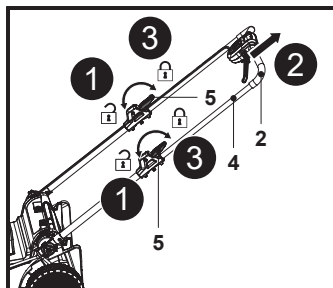


Fig. 3



ADVERTENCIA: ASEGÚRESE DE QUE LAS DOS PALANCAS DE BLOQUEO (5) ESTÉN BIEN FIJADAS ANTES DE UTILIZAR LA MÁQUINA.

9. Coloque el cable de control (20) en los sujetacables (19), los cuales pueden estar preinstalados en la barra inferior del manillar (6) (Fig. 4).

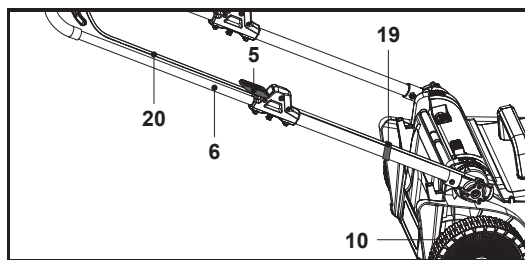


Fig. 4

10. Compruebe el estado del cable de control (20) y manténgalo alejado de la rueda trasera (10).

Recogedor de hierba

1. Sujete las tres abrazaderas de caucho (7b) a la barra de soporte (7c) del recogedor de hierba (7) (Fig. 5).
2. Monte el asa de transporte (7a) en las dos ranuras de montaje del bastidor superior del recogedor de hierba (7), pero tenga cuidado y colóquelo en la orientación correcta (Fig. 6).
3. Asegúrese de que el asa de transporte (7a) esté firmemente colocada antes de usarla.
4. Abra el protector de deflector trasero (18) y manténgalo en posición (Fig. 7, paso 1).
5. Lleve el recogedor de hierba (7) por su asa de transporte (7a).

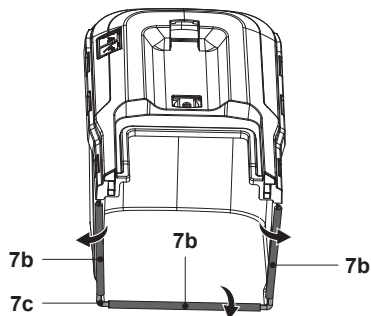


Fig. 5

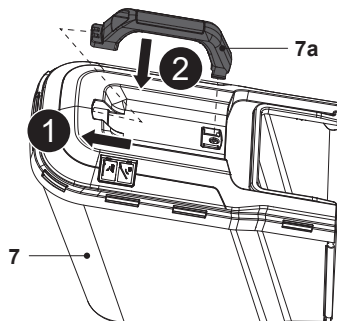


Fig. 6

6. Alinee los dos ganchos del recogedor (7d) con las ranuras (21a) y cuelgue el recogedor de hierba (7) de ellos (Fig. 7, paso 2).
7. A continuación, suelte con cuidado el protector del deflector trasero (18).

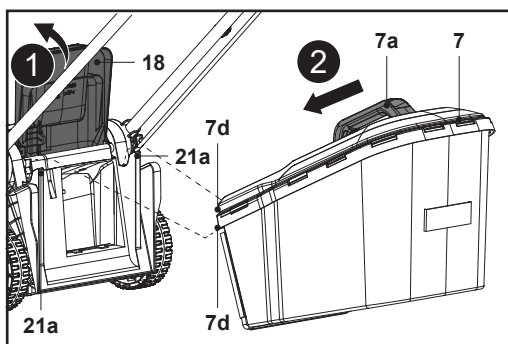


Fig. 7

i **NOTA:** Lleve siempre el recogedor de hierba (7) por su asa de transporte (7a). Antes de acoplar el recogedor de hierba (7), compruebe si el accesorio triturador (23) está en el canal de descarga trasero (21). Retire el accesorio triturador (23) antes de acoplar el recogedor de hierba (7).

i **NOTA:** El accesorio triturador (23) debe retirarse si se va a usar el recogedor de hierba (7).

Batería

Montaje de la batería

1. Levante la tapa magnética (15c) y abra la tapa del compartimento de la batería (15) (Fig. 8, paso 1).
2. Alinee la batería (24) con las dos ranuras deslizantes (15b) y deslice la batería (24) para acoplarla (Fig. 8, paso 2).
3. Asegúrese de que los contactos eléctricos (15a) estén completamente insertados en la batería (24) y de que encajen en su sitio con un clic.
4. La batería (24) solo se puede instalar en una dirección.
5. Cierre la tapa del compartimento de la batería (15) con cuidado.

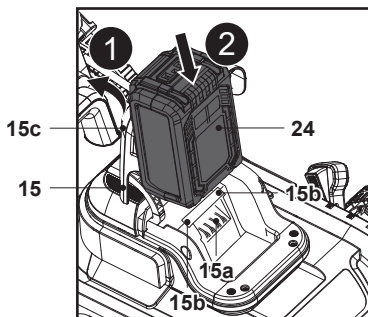


Fig. 8

Extracción de la batería

La batería (24) no se puede cargar mientras se encuentra en el cortacésped. Extraiga la batería (24) de su compartimento para cargarla.

1. Levante la tapa magnética (15c) y abra la tapa del compartimento de la batería (15) (Fig. 9, paso 1).
2. Pulse el botón de liberación (24a) para desbloquear el pestillo de la batería (24) (Fig. 9, paso 2).
3. Saque la batería (24) del compartimento de la batería (Fig. 9, paso 3).
4. Cierre la tapa del compartimento de la batería (15) con cuidado.

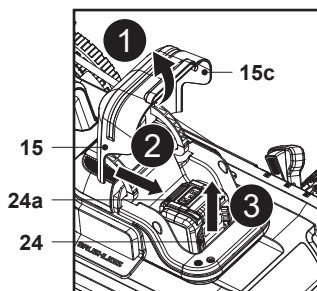


Fig. 9

Carga de la batería

La batería (24) se entrega con una carga baja. Cárguela por completo antes del primer uso. Consulte el manual de instrucciones del cargador para obtener más información.

Indicadores de capacidad de la batería

La batería (24) está equipada con indicadores de capacidad de la batería (24c) que se utilizan para señalar la capacidad restante de la batería. Pulse el botón de capacidad (24b) para comprobar la capacidad de la batería (Fig. 10). Los LED permanecen encendidos durante aproximadamente 3 segundos.

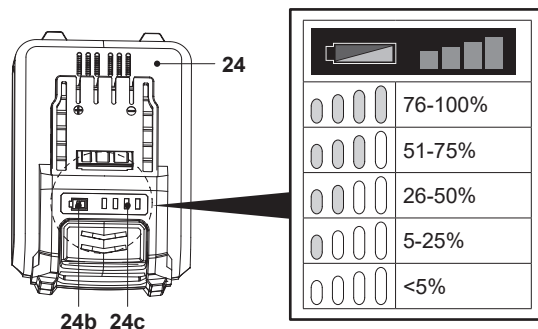


Fig. 10

ES Funciones y configuración

Uso previsto

Este cortacésped sin cable tiene una tensión nominal de 36 V . Está diseñado únicamente para su uso con la batería que se indica en el capítulo "Especificaciones técnicas".

La máquina está diseñada para cortar el césped únicamente en jardines domésticos. No se debe utilizar para cortar hierba más alta, seca o húmeda de lo normal (por ejemplo, hierba de pasto) ni para triturar hojas.

Se prohíbe utilizar la máquina con lluvia o humedad.

Por motivos de seguridad, es fundamental leer el manual de instrucciones completo antes de usar el producto por primera vez, así como seguir todas las indicaciones incluidas en él.

Esta máquina está diseñada solamente para uso doméstico privado, no para uso comercial. No se debe utilizar para fines distintos de los indicados en el manual.

Ajuste de la altura del manillar



ADVERTENCIA: APAGUE EL PRODUCTO Y EXTRAIGA LA BATERÍA (24). ESPERE A QUE LA CUCHILLA (22) SE DETENGA COMPLETAMENTE ANTES DE AJUSTAR LA ALTURA DEL MANILLAR.



Ajuste el conjunto del manillar a una altura adecuada a sus necesidades. Puede elegir entre dos alturas de manillar.

1. Sujete el conjunto del manillar (4, 6) con una mano.
2. Despliegue las dos palancas de sujeción (8) con la otra mano y luego gire el conjunto del manillar (4, 6) a la otra posición de altura del manillar (Fig. 11, pasos 1 y 2).
3. Asegúrese de que el triángulo indicador (6b) esté alineado con el indicador de altura del manillar (9b/9c) y luego cierre las dos palancas de sujeción (8) para fijar el conjunto del manillar (4, 6) (Fig. 11, paso 3).
4. Asegúrese de que el conjunto del manillar (4, 6) esté montado a la misma altura en ambos lados.

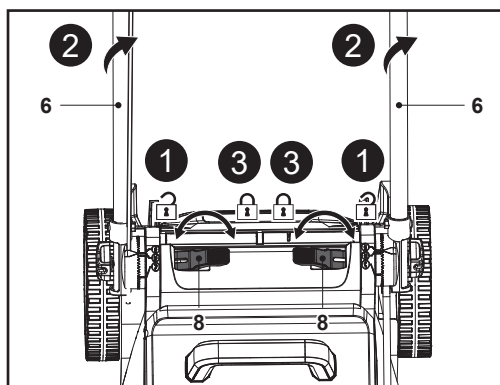


Fig. 11

Ajuste de la altura de corte



ADVERTENCIA: APAGUE EL PRODUCTO Y EXTRAIGA LA BATERÍA (24). ESPERE A QUE LA CUCHILLA (22) SE DETENGA COMPLETAMENTE ANTES DE AJUSTAR LA ALTURA DE CORTE.



ASEGÚRESE DE QUE LA PALANCA SE ACOPLA ENTRE DOS DE LOS DIENTES.

PARA EL PRIMER CORTE DE LA TEMPORADA, SE DEBE ELEGIR UNA ALTURA DE CORTE ADECUADA. NO ELIJA UNA ALTURA DE CORTE BAJA SI EL CÉSPED ES LARGO Y GRASIENTO, EL MOTOR PODRÍA NO ARRANCAR ADECUADAMENTE.

AL ARRANCAR EL CORTACÉSPED, COMPRUEBE LA ALTURA DE LA HIERBA. SI LA HIERBA ES DEMASIADO ALTA, EL CORTACÉSPED NO ARRANCARÁ. ENTONCES INCREMENTARÁ LA ALTURA DE CORTE. ESTA FUNCIÓN PERMITE CONSERVAR EL MOTOR Y MEJORAR LA VIDA ÚTIL DE LAS BATERÍAS.

Ajuste la altura de corte según las necesidades de su césped. La altura de corte depende del tipo de césped y su altura real. Cuando corte césped alto, comience con la máxima altura de corte y realice un segundo corte a una altura menor.

1. Pulse el botón de bloqueo (12a) y manténgalo en esta posición (Fig. 12, paso 1).
2. Mueva la palanca (12) hacia adelante o hacia atrás para ajustar la altura de corte (Fig. 12, paso 2).
3. Suelte el botón de bloqueo (12a) y asegúrese de que la palanca (12) se acople adecuadamente en la ranura (Fig. 12, paso 3).

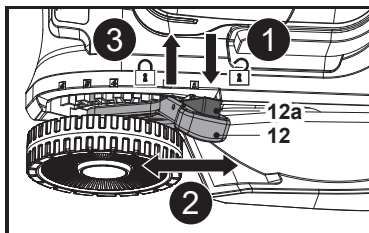


Fig. 12



ADVERTENCIA: ASEGÚRESE DE QUE LA PALANCA (12) SE ACOPLA EN LA RANURA DESPUÉS DE CADA AJUSTE.



NOTA: La altura de corte se puede ajustar entre 25 mm y 75 mm en 6 pasos. Las cifras de altura de corte deben usarse solo a modo de guía. Dependiendo de las condiciones del césped o del suelo, la altura real del césped puede ser ligeramente diferente de la altura establecida.

Recogedor de hierba



ADVERTENCIA: NO INTENTE UTILIZAR LA MÁQUINA SIN EL RECOGEDOR DE HIERBA (7) ACOPLADO AL RECOGER HIERBA, YA QUE EXISTE RIESGO DE QUE SALGAN OBJETOS DESPEDIDOS.

APAGUE EL PRODUCTO Y EXTRAIGA LA BATERÍA (24). ESPERE A QUE LA CUCHILLA (22) SE DETENGA COMPLETAMENTE ANTES DE RETIRAR EL RECOGEDOR DE HIERBA (7).

1. Coloque siempre el recogedor de hierba (7) cuando utilice la máquina para recoger hierba como se describe en la sección "Montaje: Recogedor de hierba".
2. Lleve siempre el recogedor de hierba (7) por el asa (7a).

Indicador

El recogedor de hierba (7) está equipado con una trampilla (7f) que indica el nivel de llenado durante el funcionamiento.

1. Cuando la trampilla (7f) está abierta el recogedor de hierba (7) tiene espacio suficiente para seguir recogiendo hierba (Fig. 13).
2. Cuando la trampilla (7f) se cierra, el recogedor de hierba (7) está lleno y debe vaciarse (Fig. 14).

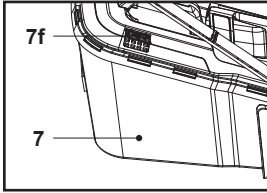


Fig. 13

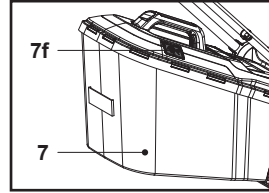


Fig. 14

Vaciado



ADVERTENCIA: APAGUE LA MÁQUINA, RETIRE LA BATERÍA (24) Y ESPERE A QUE LA CUCHILLA (22) SE DETENGA COMPLETAMENTE ANTES DE RETIRAR EL RECOGEDOR DE HIERBA (7).

Vacíe el recogedor de hierba (7) con frecuencia durante el uso. No espere hasta que esté completamente lleno. Recomendamos vaciarlo cuando esté al 90 % de su capacidad o si observa restos de hierba sobre el suelo.



NOTA: Si el recogedor de hierba (7) está lleno, se reducirá el rendimiento de esta máquina.

1. Levante el protector de deflector trasero (18) y manténgalo en posición.
2. Saque los ganchos del recogedor de hierba (7d) de las ranuras (21a) y retire el recogedor de hierba (7).
3. Retire la hierba cortada del canal de descarga trasero (21) y méntala en el recogedor de hierba (7). Utilice una herramienta adecuada, como un cepillo.
4. Retire el recogedor de hierba (7) por el asa de transporte (7a).
5. Utilice las asas (7a, 7e) para vaciar la hierba cortada en el montón de compost.
6. Vuelva a colocar el recogedor de hierba (7) en la máquina y asegúrese de que los ganchos del recogedor de hierba (7d) permanezcan correctamente en las ranuras (21a), tal como se describe en la sección "Montaje: Recogedor de hierba".



ADVERTENCIA: NUNCA USE LAS MANOS NI LOS PIES PARA RETIRAR LA HIERBA CORTADA DEL CANAL DE DESCARGA TRASERO (21).



Accesorio triturador

El accesorio triturador (23) bloquea el canal de descarga trasero (21) impidiendo la recogida de hierba. Esto permite que la hierba cortada se deposite de nuevo en el césped durante el corte.



NOTA: La trituración consiste en cortar y devolver el césped cortado al jardín en un solo paso: el césped se corta muy fino y se distribuye uniformemente por el jardín. En condiciones normales, el césped triturado se biodegradará rápidamente para proporcionar nutrientes al jardín.

No conecte el recogedor de hierba (7) y el accesorio triturador (23) al mismo tiempo.

1. Abra el protector del deflector trasero (18), mantenga el asa integrada (23a) en posición e introduzca el accesorio triturador (23) en el canal de descarga trasero (21) hasta el final (Fig. 15).
2. Levante el asa integrada (23a) y extraiga el accesorio triturador (23) del canal de descarga trasero (21); a continuación, extraiga el accesorio triturador (23) (Fig. 16).

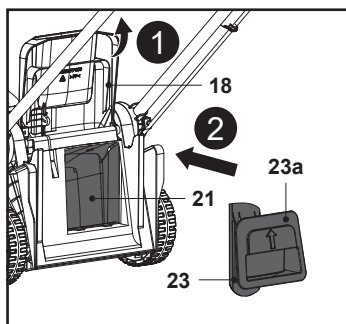


Fig. 15

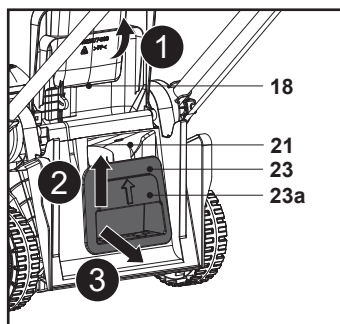


Fig. 16

Sistema de protección de la máquina / batería

El cortacésped tiene un sistema de protección incorporado. Este sistema corta automáticamente el suministro de energía al motor para prolongar la vida útil de la herramienta y la batería. El cortacésped se detendrá automáticamente durante su funcionamiento si se produce alguna de las siguientes condiciones.

Protección contra sobrecarga

Si la máquina se usa de tal forma que consume un nivel inusualmente alto de corriente, se detendrá automáticamente sin previo aviso. Si se diera el caso, apague la máquina y deje de usarla de la forma en que se produjo la sobrecarga. Luego encienda la máquina para reanudar el trabajo.

Protección contra el sobrecalentamiento

Cuando la batería se sobrecalienta, deja de funcionar automáticamente. Espere a que la máquina se enfríe antes de volver a encenderla.

Protección contra sobredescarga

Cuando la batería empieza a ser baja, la máquina se detiene automáticamente. Si el producto no funciona ni siquiera cuando se accionan los interruptores, retire las baterías de la máquina y cárguelas.

ES Uso

Funcionamiento general

1. Antes de cada uso, revise la máquina, la batería, el cargador y los accesorios por si presentaran daños. No utilice la máquina si está dañada o desgastada. Solucione cualquier problema que encuentre o solicite a un especialista cualificado que revise la máquina.
2. Asegúrese de que los accesorios y las fijaciones estén bien instalados.
3. Empuje siempre la máquina usando la empuñadura de agarre (2). Mantenga las empuñaduras secas para garantizar una sujeción segura.
4. Asegúrese siempre de que las rejillas de salida del aire (16b) no estén obstruidas ni tapadas por ningún objeto. Si es necesario, límpielas con un cepillo suave. Si las rejillas de salida del aire están obstruidas, la máquina puede sobrecalentarse y dañarse.

5. Apague la máquina inmediatamente y retire la batería (24) si otras personas acceden a la zona de trabajo. Espere siempre a que la máquina se detenga por completo antes de dejarla desatendida.
6. No realice un esfuerzo excesivo. Tómese descansos regulares para garantizar que puede concentrarse en el trabajo y controlar completamente la máquina.

Arranque / parada



ADVERTENCIA: ANTES DE COMENZAR, COLOQUE LA MÁQUINA SOBRE UNA SUPERFICIE LLANA Y SIN HIERBA ALTA.



LIMPIE LA PARTE INFERIOR DE LA CUBIERTA.

ARRANQUE EL MOTOR CON CUIDADO DE ACUERDO CON LAS INSTRUCCIONES. MANTENGA LOS PIES LEJOS DE LA CUCHILLA (22).

NO INCLINE LA MÁQUINA AL ARRANCAR EL MOTOR.

Arranque



NOTA: La máquina solo se puede arrancar pulsando el interruptor de seguridad (1) y apretando a continuación las palancas de arranque (3). En orden inverso, la máquina no arranca.

1. Levante la tapa magnética (15c) y abra la tapa del compartimento de la batería (15); a continuación, inserte por completo la batería (24).
2. Cierre la tapa del compartimento de la batería (15) con cuidado.
3. Colóquese detrás de la empuñadura de agarre (2).
4. Mientras mantiene pulsado el interruptor de seguridad (1), tire de las palancas de arranque (3) hacia la empuñadura de agarre (2) y manténgalas en esa posición (Fig. 17, pasos 1 y 2).
5. Una vez que el cortacésped haya arrancado, suelte el interruptor de seguridad (1).
6. La capacidad real de la batería aparecerá en la pantalla de la batería (16a) en la parte posterior de la tapa del motor (16).
7. Empuje la máquina hacia delante y comience a cortar.

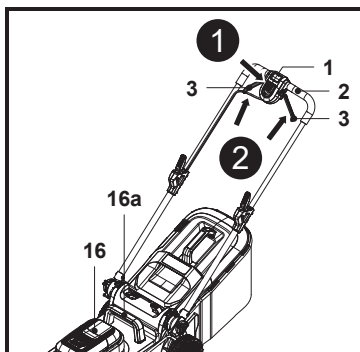


Fig. 17

Parada

Suelte las palancas de arranque (3) para detener el motor y la cuchilla (22) (Fig. 18).

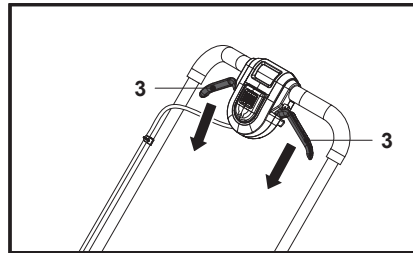


Fig. 18

Corte

1. Asegúrese de que el césped no contenga piedras, ramas, cables ni otros objetos que puedan dañar la máquina o la cuchilla.
2. No corte hierba húmeda, ya que tiende a pegarse a la parte inferior de la máquina y eso impide la correcta descarga de la hierba cortada. También podría provocar que se resbalara y cayera.
3. Para conseguir un césped saludable, no corte nunca más de un tercio de la longitud total de la hierba. En otoño, el césped solo se debe cortar si hay crecimiento.
4. Empuje lentamente la máquina hacia delante.
5. Corte el césped en pasadas que se solapen ligeramente. El patrón más eficaz para cortar el césped es en pasadas rectas paralelas a uno de los lados. De esta forma, las pasadas serán regulares y se asegurará de cortar todo el césped sin dejarse ninguna zona (Fig. 19).

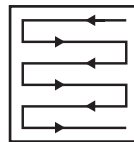


Fig. 19

6. Rodee los lechos de flores. Al llegar a un lecho de flores en medio del césped, corte una o dos filas alrededor de la circunferencia del lecho.
7. Preste especial atención al cambiar de dirección.
8. Vacíe el recogedor de hierba (7) con regularidad.



ADVERTENCIA: SI LA MÁQUINA GOLPEA UN OBJETO EXTRAÑO, DETÉNGALA INMEDIATAMENTE. ESPERE A QUE LA MÁQUINA SE ENFRÍE E INSPECCIÓNELA A FONDO EN BUSCA DE POSIBLES DAÑOS. REPARE LOS DAÑOS ANTES DE VOLVERLA A PONER EN MARCHA.



SI LA MÁQUINA VIBRA DEMASIADO DURANTE SU FUNCIONAMIENTO, ES PROBABLE QUE ESTÉ DAÑADA. LA MÁQUINA DEBE INSPECCIONARSE Y REPARARSE CUANTO ANTES.

9. Prepare la máquina según la tarea que vaya a realizar.

Función	Recogedor de hierba	Accesorio triturador
Recogida de hierba	acoplado	desmontado
Trituración	desmontado	insertado

Recogida de hierba

1. Retire el accesorio triturador (23) y acople el recogedor de hierba (7).
2. Vacíe el recogedor de hierba (7) con regularidad.

Trituración



NOTA: La trituración consiste en cortar y devolver el césped cortado al jardín en un solo paso: el césped se corta muy fino y se distribuye uniformemente por el jardín. En condiciones normales, el césped triturado se biodegradará rápidamente para proporcionar nutrientes al jardín.

1. Introduzca el accesorio triturador (23) en el canal de descarga trasero (21) y asegúrese de que el recogedor de hierba (7) no esté montado en la máquina.
2. Evite cortar cuando el césped está mojado por la lluvia o el rocío. El césped mojado puede aglomerarse e interferir con la trituración, lo que reducirá el tiempo productivo. El mejor momento para cortar césped es a última hora de la tarde cuando el césped esté seco y el área recién cortada no esté expuesta a la luz solar directa.
3. Ajuste la altura de corte a aproximadamente un tercio de la altura del césped, idealmente no más de 35 mm cada vez para obtener el mejor rendimiento de trituración. Si el césped ha crecido demasiado, puede que sea necesario incrementar la altura de corte para reducir el esfuerzo de empuje y evitar la sobrecarga del motor. Para una trituración de gran volumen, es aconsejable cortar primero a una altura de corte alta y, a continuación, de nuevo a una menor altura de corte. O bien, haga cortes más estrechos y siga lentamente.
4. Mantenga la carcasa libre de césped acumulado para obtener el mejor rendimiento. Cada cierto tiempo, apague el producto y espere a que la cuchilla se detenga completamente. A continuación, ponga el producto de costado. Con un objeto como un palo de madera, retire cualquier acumulación de césped de la zona de la cuchilla. Tenga cuidado con los bordes afilados de la cuchilla. Limpie con frecuencia después de cortar nuevo césped y después de cada uso.
5. Con algunos tipos de césped o en ciertas condiciones del césped, puede que sea necesario triturar un área por segunda vez para dispersar totalmente el césped por el jardín. Cuando se corta una segunda vez, es aconsejable cortar en sentido perpendicular (a través) respecto al primer patrón de corte. No cambie el patrón de corte si pudiera provocar que usted siegue cuesta abajo.
6. Cambie el patrón de corte cada semana. Esto ayudará a evitar el apelmazamiento y la degradación del césped.

Después del uso

1. Apague la máquina, saque la batería (24) y espere a que se enfríe.
2. Revise, limpie y almacene la máquina como se describe a continuación.

Reglas de oro para el cuidado del producto



ADVERTENCIA: ANTES DE LLEVAR A CABO TAREAS DE INSPECCIÓN, MANTENIMIENTO Y LIMPIEZA, APAGUE SIEMPRE LA MÁQUINA, RETIRE LA BATERÍA (24) Y ESPERE A QUE LA MÁQUINA SE ENFRÍE.



REALICE LAS TAREAS DE CUIDADO Y MANTENIMIENTO SOLO DE ACUERDO CON ESTAS INSTRUCCIONES. CUALQUIER OTRO TRABAJO DEBERÁ REALIZARLO UN ESPECIALISTA CUALIFICADO.

1. Mantenga la máquina limpia. Retire la suciedad después de cada uso y antes del almacenaje.
2. Una limpieza adecuada y regular ayudará a garantizar un uso seguro y prolongar la vida útil del aparato.
3. Inspeccione la máquina antes de cada uso por si hubiera piezas dañadas o desgastadas. No lo utilice si hay piezas rotas o desgastadas.



ADVERTENCIA: REALICE SOLAMENTE LAS LABORES DE REPARACIÓN Y MANTENIMIENTO INDICADAS EN ESTAS INSTRUCCIONES. CUALQUIER OTRO TRABAJO DEBERÁ REALIZARLO UN ESPECIALISTA CUALIFICADO.

Limpieza general

1. Limpie la máquina con una bayeta húmeda y jabón de pH neutro. Utilice un cepillo para las áreas de difícil acceso.
2. En particular, limpie los interruptores y las rejillas de salida del aire después de cada uso con una bayeta y un cepillo.
3. Retire la suciedad incrustada con aire a alta presión (máx. 3 bares).



NOTA: No utilice productos químicos, abrasivos o alcalinos, ni otros detergentes o desinfectantes agresivos para limpiar este producto, ya que podrían dañar sus superficies.

4. Compruebe si hay daños o desgaste. Repare los daños conforme a este manual de instrucciones, o bien lleve la máquina a un centro de servicio autorizado antes de volver a usarla.

Piezas de repuesto / piezas de recambio

Las siguientes piezas de este producto las puede sustituir el consumidor. Puede obtener piezas de repuesto en un distribuidor autorizado o a través de nuestro servicio de atención al cliente.

Descripción	Código de pieza
Recogedor de hierba (7)	199011000059 / 199011000065
Cuchilla (22)	201045000459
Batería (24)	MDVB36-4 / TTB812BAT / MCT1239BAT / TTT1240BAT
Cargador (25)	MFC36 / TTB815CHR / MCB1241CHR / TTB1242CHR

Mantenimiento

Antes y después de cada uso, compruebe si la máquina y los accesorios presentan desgaste y daños. Si es necesario, cámbielos por otros nuevos como se describe en este manual de instrucciones. Respete los requisitos técnicos.

Parte inferior y cuchilla



ADVERTENCIA: UTILICE GUANTES DE SEGURIDAD CUANDO MANIPULE LA CUCHILLA (22). UTILICE HERRAMIENTAS ADECUADAS PARA ELIMINAR LA SUCIEDAD, POR EJEMPLO, UN PALO DE MADERA O UN CEPILLO. NUNCA UTILICE LAS MANOS.



UTILICE SIEMPRE PIEZAS DE REPUESTO ORIGINALES. LA CUCHILLA DEBE SUSTITUIRSE POR UNA CON EL NÚMERO IDENTIFICATIVO A022050-025. NO PONGA NINGÚN OTRO TIPO DE CUCHILLA.



LA SUSTITUCIÓN DE LA CUCHILLA DEBE REALIZARLA UN ESPECIALISTA CUALIFICADO. NO SE RECOMIENDA REPASAR NI AFILAR LAS CUCHILLAS A MENOS QUE SE ENCARGUE DE ELLO UN SERVICIO DE REPARACIÓN O UN ESPECIALISTA CUALIFICADO.

1. Mantenga la parte inferior y la cuchilla (22) limpias y libres de suciedad. Retire los recortes del canal de descarga trasero (21).
2. Compruebe periódicamente que todas las fijaciones, como tuercas y pernos, estén apretadas antes de poner el producto en funcionamiento. Tras un uso prolongado, especialmente en suelos arenosos, la cuchilla se habrá desgastado y habrá perdido en parte su estado original óptimo. La eficacia de corte se reducirá y la cuchilla deberá sustituirse.
3. Mantenga la cuchilla (22) afilada para garantizar un buen rendimiento de corte. Sustituya una cuchilla desgastada o dañada por una nueva del mismo tipo o pida a un especialista cualificado que la afile.
4. Afloje el perno de montaje (22c) girándolo hacia la izquierda con una llave de impacto eléctrica adecuada (vaso de 13 mm) (Fig. 20) y retírelo junto con la arandela plana (22b) y la cuchilla (22).

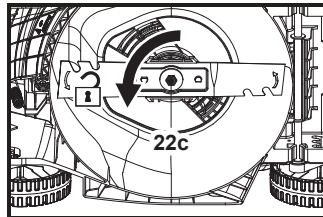


Fig. 20



NOTA: Si utiliza una llave manual en lugar de una llave de impacto eléctrica, procure que la cuchilla (22) no gire mientras afloja el perno. Use unos guantes resistentes para agarrar la cuchilla firmemente. Si es necesario, utilice un bloque de madera de tamaño adecuado para impedir que la cuchilla gire (Fig. 21).

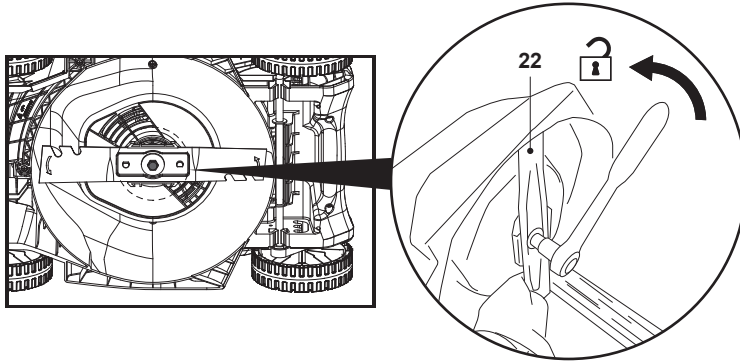


Fig. 21

5. Sustituya la cuchilla (22) por una nueva del mismo tipo. Observe primero el husillo para comprobar en qué estado se encuentra el soporte de la cuchilla (22a) y luego coloque la cuchilla (22) en su soporte (22a) alineándola con las marcas de este (22a). Fije el conjunto con la arandela plana (22b) y el perno de montaje (22c), y apriete a mano.
6. Sujete firmemente la cuchilla (22) con las manos protegidas con guantes de alta resistencia o un palo de madera y apriete el perno de montaje (22c) girándolo hacia la derecha a un par de 25-30 Nm para garantizar el funcionamiento seguro de la máquina (Fig. 22).

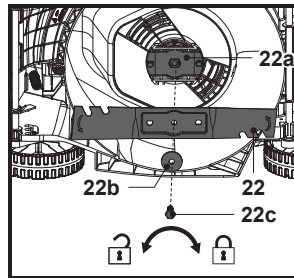


Fig. 22



ADVERTENCIA: ANTES DE CADA USO, ASEGÚRESE DE QUE LA CUCHILLA (22) Y TODAS LAS FIJACIONES ESTÉN BIEN INSTALADAS Y APRETADAS DE FORMA SEGURA.

EL PERNO DEBE SUSTITUIRSE ÚNICA Y EXCLUSIVAMENTE POR UN REPUESTO ORIGINAL (22C).

7. Sustituya la cuchilla (22) después de 50 horas de corte o a los 2 años, lo que ocurra antes, independientemente de su estado. Si la cuchilla (22) está agrietada o dañada, debe sustituirla de inmediato por una nueva.
8. Lubrique la cuchilla (22) después de cada uso para prolongar la vida útil de la cuchilla y la máquina. Aplique aceite ligero en el borde de la cuchilla (22).

Recogedor de hierba

1. Inspeccione el recogedor de hierba (7) antes de cada uso. No lo utilice si detecta cualquier daño.
2. Limpie el recogedor de hierba (7) tras su uso con agua y jabón suave.
3. Deje que el recogedor de hierba (7) se seque bien antes de guardarlo para evitar la formación de moho.

Cable de control

Compruebe el cable de control (20) antes de cada uso.



ADVERTENCIA: NO UTILICE LA MÁQUINA CON UN CABLE DE CONTROL (20) DEFECTUOSO O SUELTO.

Reparación

Esta máquina no contiene piezas que pueda reparar el consumidor. Póngase en contacto con un centro de servicio autorizado o una persona cualificada para que la compruebe y repare.

Almacenaje

1. Apague la máquina y extraiga la batería (24) antes de almacenarla.
2. Limpie la máquina de la forma descrita anteriormente.
3. Almacene la máquina y sus accesorios en un lugar oscuro, seco, sin heladas y bien ventilado.
4. Guarde siempre la máquina en un lugar inaccesible para los niños. La temperatura de almacenaje ideal es de entre 10 °C y 30 °C.
5. Se recomienda utilizar el embalaje original para el almacenamiento o cubrir el cortacésped (sin batería) con una tela o envoltorio adecuados para protegerlo del polvo.
6. Cargue la batería hasta que vea tres barras en el indicador luminoso antes de guardar el aparato.
7. El manillar se puede plegar completamente para guardar la máquina:
 - Retire el recogedor de hierba (7)/accesorio triturador (23).
 - Sitúe la palanca de ajuste de la altura de corte (12) en la posición más baja.
 - Afloje las dos palancas de sujeción (8) y pliegue por completo el conjunto del manillar (Fig. 23, pasos 1 y 2).
 - Bloquee las dos palancas de sujeción (8) para fijar bien el conjunto y asegúrese de que el triángulo indicador (6b) está alineado con el indicador de estacionamiento (9a) para evitar que el producto se abra (Fig. 23, paso 3).
 - Guarde el cortacésped en horizontal o en vertical (Fig. 24).

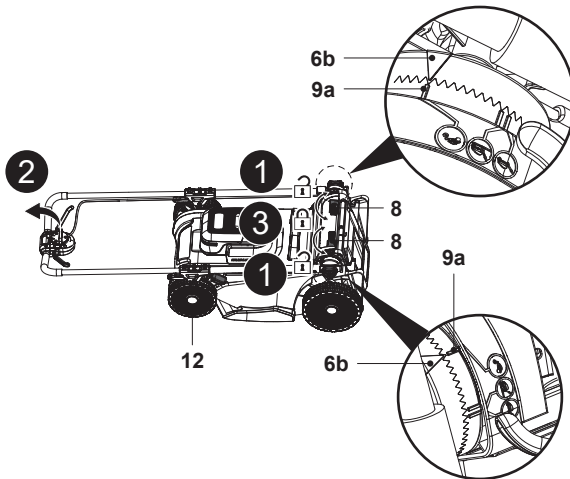


Fig. 23

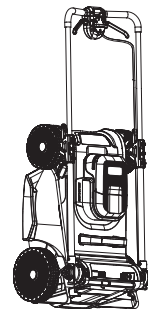


Fig. 24

8. Lo más recomendable es almacenar el cortacésped con el recogedor de hierba (7) enganchado a él y el accesorio triturador (23) montado en el cortacésped (Fig. 25).

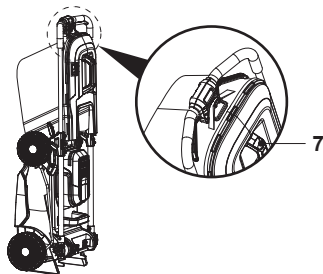


Fig. 25

9. Para ahorrar espacio, también puede abrir las dos palancas de bloqueo (5) y recoger hasta el tope la parte superior del manillar; para ello, fije bien las conexiones (5, 8) y asegúrese de que el triángulo indicador (6b) esté alineado con el indicador de estacionamiento (9a) para evitar que el producto se abra (Fig. 26).

10. Guarde el cortacésped en horizontal o en vertical (Fig. 27).

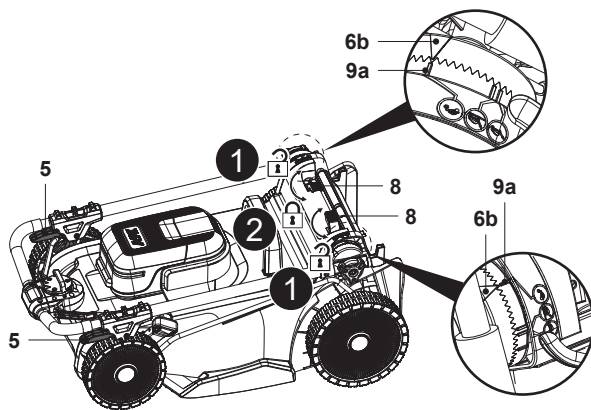


Fig. 26

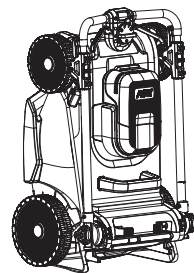


Fig. 27

Transporte

1. Apague la máquina y extraiga la batería (24) antes de transportarla a cualquier sitio.
2. Fije las protecciones de transporte, si procede.
3. Transporte siempre la máquina por las asas (14, 17).
4. Proteja la máquina frente a impactos o vibraciones fuertes que puedan producirse durante su transporte en vehículos.
5. Asegure la máquina para evitar que se deslice o caiga, o se produzcan daños o lesiones.

Resolución de problemas

A menudo, las posibles averías se deben a causas que puede solucionar el propio usuario. Por lo tanto, guíese por esta sección para verificar el producto. En la mayoría de los casos, el problema se puede resolver rápidamente.



ADVERTENCIA: REALICE ÚNICAMENTE LOS PASOS DESCRITOS EN ESTAS INSTRUCCIONES. CUALQUIER OTRA LABOR DE INSPECCIÓN, MANTENIMIENTO O REPARACIÓN DEBE REALIZARLA UN CENTRO DE SERVICIO AUTORIZADO O UN ESPECIALISTA CUALIFICADO SI USTED NO PUEDE RESOLVER EL PROBLEMA.

Problema	Posible causa	Solución
1. El producto no se pone en marcha	1.1. La batería no está acoplada correctamente	1.1. Acóplela correctamente
	1.2. La batería está descargada	1.2. Extraiga y cargue la batería
	1.3. La batería está caliente	1.3. Extráigala y deje que se enfríe
	1.4. La batería está dañada	1.4. Deberá revisarla un electricista especializado
	1.5. Métodos incorrectos para arrancar el producto	1.5. Pulse el interruptor de seguridad y manténgalo en esta posición, luego tire de la palanca de arranque para arrancar el producto
	1.6. El producto tiene un defecto eléctrico de otro tipo	1.6. Deberá revisarlo un electricista especializado
2. El producto no alcanza la máxima potencia	2.1. La capacidad de la batería es demasiado baja	2.1. Recargue la batería
	2.2. Las rejillas de salida del aire están obstruidas	2.2. Limpie las rejillas de salida del aire
3. El resultado de corte no es satisfactorio	3.1. La cuchilla no está afilada o está dañada	3.1. Sustitúyala por una nueva
	3.2. El material de corte excede la capacidad	3.2. Corte solo materiales conforme a la capacidad del producto
	3.3. La altura de corte no es correcta	3.3. Ajuste la altura de corte
4. El producto se detiene de repente	4.1. La batería está descargada	4.1. Extraiga y cargue la batería
	4.2. La batería está demasiado caliente	4.2. Retire la batería y deje que se enfríe
	4.3. La cuchilla está bloqueada	4.3. Elimine el bloqueo
5. El producto genera un ruido o una vibración excesivos	5.1. La cuchilla no está afilada o está dañada	5.1. Sustitúyala por una nueva
	5.2. El material de corte excede la capacidad	5.2. Corte solo materiales conforme a la capacidad del producto
	5.3. La altura de corte no es correcta	5.3. Ajuste la altura de corte
	5.4. Los pernos o las tuercas están flojos	5.4. Apriete los pernos o las tuercas

Reciclaje y eliminación



Este símbolo se conoce como el "símbolo del contenedor tachado".

Si se muestra este símbolo en un producto o en una batería, significa que no se debe desechar con la basura doméstica general.

Algunos productos químicos de los productos eléctricos o electrónicos y de las baterías pueden ser perjudiciales para la salud y el medio ambiente.

Deseche los artículos eléctricos o electrónicos y las baterías únicamente en los puntos de recogida especializados en la recuperación y el reciclaje de los materiales que contienen.

Su cooperación es vital para garantizar el éxito de estas iniciativas y la protección del medio ambiente.

El producto se suministra en un embalaje que lo protege frente a los daños durante el transporte. Conserve el embalaje hasta que tenga la seguridad de que incluye todas las piezas y de que el producto funciona correctamente. A continuación, recicle el embalaje.

Eliminación de una batería agotada



La batería es de iones de litio. A fin de preservar los recursos naturales, recicle o deseche la batería de forma adecuada. Consulte a las autoridades locales en materia de eliminación de residuos para obtener información sobre las opciones de reciclaje o eliminación disponibles.

Utilice la máquina hasta que se descargue la batería; a continuación, saque la batería de la máquina y cubra las conexiones de la batería con cinta adhesiva de alta resistencia para evitar cortocircuitos y descargas de energía.

No intente abrir ni desmontar ningún componente.

Garantía

Nos ocupamos especialmente en seleccionar materiales de alta calidad y usar técnicas de fabricación que nos permitan crear productos que aporten diseño y durabilidad. Este producto tiene una garantía del fabricante de 2 años frente a defectos de fabricación, a partir de la fecha de adquisición (si se adquiere en una tienda) o de entrega (si se adquiere por Internet), sin coste adicional para uso normal doméstico (ni profesional ni comercial).

Para presentar una reclamación en el marco de esta garantía, deberá presentar el comprobante de compra (como un recibo, factura de compra u otras pruebas admisibles en virtud de la ley aplicable); conserve su comprobante de compra en un lugar seguro. Para poder acogerse a esta garantía, el producto adquirido deberá ser nuevo; la garantía no se aplicará a productos de segunda mano o productos de exposición. A menos que la legislación vigente indique lo contrario, todo producto de sustitución entregado conforme a esta garantía estará cubierto solo hasta la fecha de vencimiento de la garantía original.

La presente garantía cubre los fallos y anomalías del producto siempre y cuando este se haya utilizado para los fines para los que está destinado y que su instalación, limpieza, cuidado y mantenimiento se hayan efectuado de conformidad tanto con la información descrita en estos términos y condiciones y en el manual del usuario, como con la práctica habitual, siempre y cuando esta no entre en conflicto con el contenido del manual de usuario.

Esta garantía no cubre defectos ni daños causados por el desgaste normal, ni daños que pudiesen ser resultado de usos indebidos, instalaciones o montajes deficientes, negligencia, accidente, uso indebido o modificación del producto. A menos que se indique lo contrario en la ley aplicable, esta garantía no cubre, bajo ningún concepto, los gastos accesorios (transporte, movimiento, costes de desinstalación y reinstalación, mano de obra, etc.) ni los daños directos o indirectos.

Esta garantía no cubre defectos y daños causados por o como resultado de:

- Uso y desgaste normal
- Sobrecarga, mal uso o negligencia
- Intentos de reparación realizados por personas no autorizadas
- Daños estéticos
- Daños causados por objetos extraños, sustancias o accidentes
- Daños accidentales o modificación
- Incumplimiento en seguir las pautas del fabricante
- Pérdida de los bienes

Si el producto es defectuoso, procederemos, en un plazo razonable, a su reparación, sustitución, reembolso, revisión o reposición de piezas.

Los derechos en virtud de esta garantía tendrán vigencia en el país donde haya adquirido el producto. Las consultas relacionadas con la garantía deberán dirigirse a la tienda en la que adquirió el producto. La garantía es complementaria y no afecta a sus derechos legales.

Si adquirió este producto en España, el distribuidor será responsable de las faltas de conformidad del producto según las disposiciones establecidas en los artículos 114 a 124 del Real Decreto Legislativo 1/2007, con fecha del 16 de noviembre, por el que se aprueba el texto refundido de la Ley General para la Defensa de los Consumidores y Usuarios y otras leyes complementarias.

IMPORTANTE – GUARDE ESTA INFORMACIÓN PARA FUTURAS CONSULTAS: LEA ATENTAMENTE



(EN) EU DECLARATION OF CONFORMITY
(FR) DÉCLARATION UE DE CONFORMITÉ
(PL) DEKLARACJA ZGODNOŚCI UE
(RO) DECLARAȚIA DE CONFORMITATE UE
(ES) DECLARACIÓN UE DE CONFORMIDAD
(PT) DECLARAÇÃO DE CONFORMIDADE UE

Product/Produit/Produkt/Produsul/Producto/Produto

- Cordless lawnmower 36 V 38 cm / Tondeuse à gazon 36 V 38 cm / Kosiarka akumulatorowa 36 V 38 cm / Mașină de tuns iarba, fără fir 36 V 38 cm / Cortacésped 36 V 38 cm / Corta-relva sem fios 36 V 38 cm
- MCT1191LWM / TTT1192LWM, 38 cm
- SN: 000001 to 999999

Name and address of the manufacturer or his authorised representative:

Nom et adresse du fabricant ou de son mandataire:

Nazwa i adres producenta lub jego upoważnionego przedstawiciela:

Denumirea și adresa producătorului sau a reprezentantului său autorizat:

Nombre y dirección del fabricante o de su representante autorizado:

Nome e endereço do fabricante ou do respetivo mandatário:

Kingfisher International Products B.V.,
Rapenburgerstraat 175E,
1011 VM Amsterdam,
The Netherlands

This declaration of conformity is issued under the sole responsibility of the manufacturer.

La présente déclaration de conformité est établie sous la seule responsabilité du fabricant.

Niniejsza deklaracja zgodności wydana zostaje na wyłączną odpowiedzialność producenta.

Prezenta declarație de conformitate este emisă pe răspunderea exclusivă a producătorului.

La presente declaración de conformidad se expide bajo la exclusiva responsabilidad del fabricante.

A presente declaração de conformidade é emitida sob a exclusiva responsabilidade do fabricante.

Object of the declaration/Objet de la declaration/Przedmiot deklaracji/Obiectul declarației/Objeto de la declaración/Objeto da declaração

Product/Produit/Produkt/Produsul/Producto/Produto	Model/Modèle/Model/Modelul/Modelo/ Modelo	EAN
Cordless lawnmower 36 V 38 cm / Tondeuse à gazon 36 V 38 cm / Kosiarka akumulatorowa 36 V 38 cm / Mașină de tuns iarba, fără fir 36 V 38 cm / Cortacésped 36 V 38 cm / Corta-relva sem fios 36 V 38 cm	MCT1191LWM TTT1192LWM	5063022637161 5063022636959 5063022638076 5063022637727 5063022637062 5063022637567

The object of the declaration described above is in conformity with the relevant Union harmonisation legislation:

L'objet de la déclaration décrit ci-dessus est conforme à la législation d'harmonisation de l'Union applicable:

Wymieniony powyżej przedmiot niniejszej deklaracji jest zgodny z odnośnymi wymaganiami unijnego prawodawstwa harmonizacyjnego:

Obiectul declarației descris mai sus este în conformitate cu legislația relevantă de armonizare a Uniunii:

El objeto de la declaración descrita anteriormente es conforme con la legislación de armonización pertinente de la Unión:

O objeto da declaração acima descrito está em conformidade com a legislação de harmonização da União aplicável:

2006/42/EC as amended Machinery Directive
 2014/30/EU as amended Directive Electromagnetic compatibility
 2000/14/EC as amended Outdoor Noise Directive
 2011/65/EU as amended Directive on the restriction of the use of certain hazardous substances in electrical and electronic equipment
 Directive 2006/42/CE relative aux machines
 2014/30 / UE telle que modifiée Directive Compatibilité électromagnétique
 Directive 2000/14/CE relative aux émissions sonores extérieures
 Directive 2011/65/UE relative à la limitation de l'utilisation de certaines substances dangereuses dans les équipements électriques et électroniques
 2006/42/WE w zmienionej dyrektywie maszynowej
 2014/30 / UE ze zmianami Dyrektywa Kompatybilność elektromagnetyczna
 2000/14/WE w zmienionej dyrektywie w sprawie hałasu na zewnątrz
 2011/65/UE zgodnie z wprowadzonymi poprawkami Dyrektywa w sprawie ograniczenia stosowania niektórych niebezpiecznych substancji w sprzęcie elektrycznym i elektronicznym
 2006/42/CE, astfel a fost modificată Directiva privind echipamentele
 2014/30/UE, astfel a fost modificată Directiva privind compatibilitatea electromagnetică
 2000/14/CE, astfel a fost modificată Directiva privind zgomotul în aer liber
 2011/65/UE cum a fost modificată Directiva Restricțiile de utilizare a anumitor substanțe periculoase în echipamentele electrice și electronice
 Directiva sobre maquinaria modificada 2006/42/CE
 2014/30/UE modificada Directiva Compatibilidad electromagnética
 2000/14/CE modificada Directiva sobre ruido al aire libre
 2011/65/UE según enmendado Directiva sobre restricciones a la utilización de determinadas sustancias peligrosas en aparatos eléctricos y electrónicos
 2006/42/CE como diretiva de máquinas alteradas
 2014/30/UE como alteração da compatibilidade eletromagnética
 2000/14/CE como diretiva de ruído exterior alterada
 2011/65/UE conforme alterado Directiva Restrição do uso de determinadas substâncias perigosas em equipamentos eléctricos e electrónicos

Measured Sound Power Level

Le niveau de puissance acoustique mesuré

Zmierzony poziom mocy akustycznej

Nivel de putere acustică măsurat

Nivel de potencia sonora medido

Nível de potência sonora medido

: 86.92 dB(A)

Guaranteed Sound Power Level

Le niveau de puissance acoustique garant

Gwarantowany poziom mocy akustycznej

Nivel de putere acustică garantat

Nivel de potencia sonora garantizado

Nível de potência sonora garantido

: 88 dB(A)

TÜV Rheinland LGA Products GmbH, Tillystraße 2 - 90431 Nürnberg, Germany (No.0197) performed EC-Type Examination according to Outdoor Noise Directive 2000/14/EC Annex VI. EC Type Approval No: JO 60182474 0001.

TÜV Rheinland LGA Products GmbH, Tillystraße 2 - 90431 Nürnberg, Germany (No.0197) a effectué l'examen CE de type conformément à l'annexe VI de la directive 2000/14/CE sur le bruit extérieur. Approbation de type CE Non : JO 60182474 0001.

TÜV Rheinland LGA Products GmbH, Tillystraße 2 - 90431 Nürnberg, Germany (No.0197) przeprowadził badanie typu WE zgodnie z dyrektywą w sprawie hałasu zewnętrznego 2000/14/WE załącznik VI. Homologacja typu WE nr: JO 60182474 0001.

TÜV Rheinland LGA Products GmbH, Tillystraße 2 - 90431 Nürnberg, Germany (No.0197) a efectuat examinarea CE de tip în conformitate cu Directiva privind zgomotul exterior 2000/14/CE anexa VI. Nr. omologare CE de tip: JO 60182474 0001.

TÜV Rheinland LGA Products GmbH, Tillystraße 2 - 90431 Nürnberg, Germany (No.0197) realizó el examen CE de tipo de acuerdo con la Directiva de ruido exterior 2000/14/CE Anexo VI. No de homologación de tipo CE: JO 60182474 0001.

TÜV Rheinland LGA Products GmbH, Tillystraße 2 - 90431 Nürnberg, Germany (No.0197) realizou o Exame CE do Tipo de acordo com o Anexo VI da Diretiva 2000/14/CE relativa ao ruído exterior. Aprovação do tipo CE Não: JO 60182474 0001.

References to the relevant harmonised standards used or references to the other technical specifications in relation to which conformity is declared:

Références des normes harmonisées pertinentes appliquées, y compris la date de celles-ci, ou des autres spécifications techniques, y compris la date de celles-ci, par rapport auxquelles la conformité est déclarée:

Odwołania do odnośnych norm zharmonizowanych, które zastosowano, wraz z datą normy, lub do innych specyfikacji technicznych, wraz z datą specyfikacji, w odniesieniu do których deklarowana jest zgodność:

Trimiteri la standardele armonizate relevante folosite, inclusiv data standardului, sau trimiteri la celelalte specificații tehnice, inclusiv data specificațiilor, în legătură cu care se declară conformitatea:

Referencias a las normas armonizadas pertinentes utilizadas, incluidas las fechas de las normas, o referencias a las otras especificaciones técnicas, incluidas las fechas de las especificaciones, respecto a las cuales se declara la conformidad:

Referências às normas harmonizadas aplicáveis utilizadas, incluindo a data da norma, ou às outras especificações técnicas, incluindo a data da especificação, em relação às quais é declarada a conformidade:

EN 62841-1: 2015 + A11: 2022

EN IEC 62841-4-3: 2021 + A11: 2021

EN IEC 61000-3-2: 2019 + A1: 2021

EN 61000-3-3: 2013 + A1: 2019 + A2: 2021

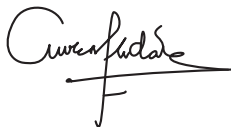
EN IEC 55014-1: 2021

EN IEC 55014-2: 2021

EN IEC 63000: 2018

Authorised signatory and technical file holder / signataire et responsable de la documentation technique autorisé / podmiot uprawniony do wystawienia i adres prezechowywania dokumentacji technicznej / semnatar autorizat și deținător al dosarului tehnic / firmante autorizado y titular del expediente técnico / signatário autorizado e detentor da ficha técnica

Kingfisher International Products B.V.,
Rapenburgerstraat 175E,
1011 VM Amsterdam,
The Netherlands



David Awe
Group Quality Director
Directeur Qualité Groupe
Dyrektor ds. Jakości Grupy
Director Calitate Grup
Director de Calidad del Grupo
Diretor de Qualidade do Grupo

: [09/07/2025]

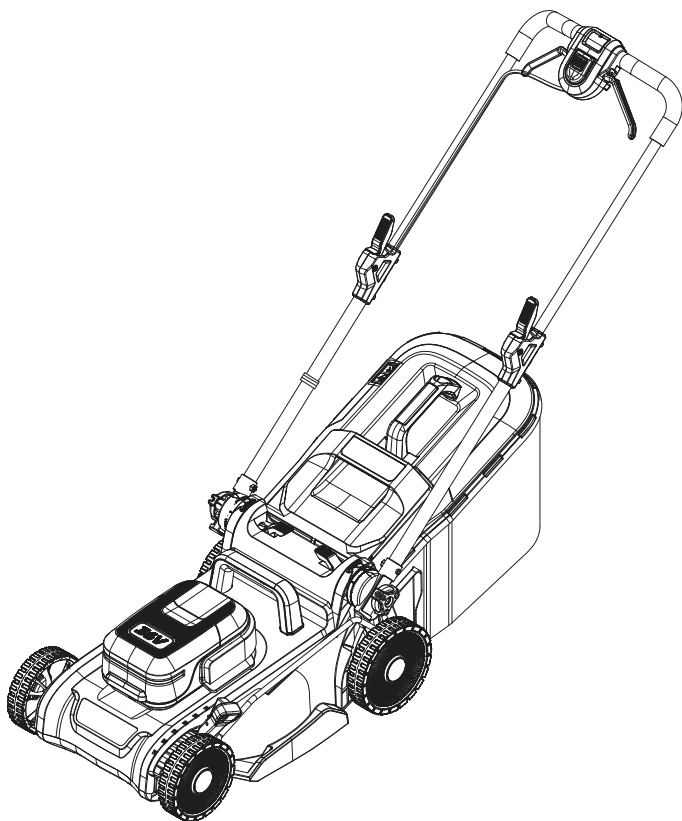
Fabricante:

EU Manufacturer:

Kingfisher International Products B.V.,
Rapenburgerstraat 175E,
1011 VM Amsterdam,
The Netherlands

ES www.bricodepot.es

**Para consultar los manuales
de instrucciones en línea, visite
www.kingfisher.com/products**



PT INSTRUÇÕES ORIGINAIS

IMPORTANTE – Estas instruções são para sua segurança. Leia-as atentamente antes de manusear o produto e guarde-as para referência futura.



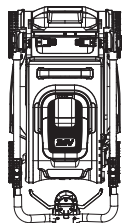
V10825_5063022637161_MAND4_2425_RP0506D

**PT Corta-relva de
36 V e 38 cm**

MCT1191LWM
5063022637161
5063022636959
5063022638076

TTT1192LWM
5063022637727
5063022637062
5063022637567

PT Peças



01. x1



02. x1



03. x1



04. x1

PT Vai precisar de



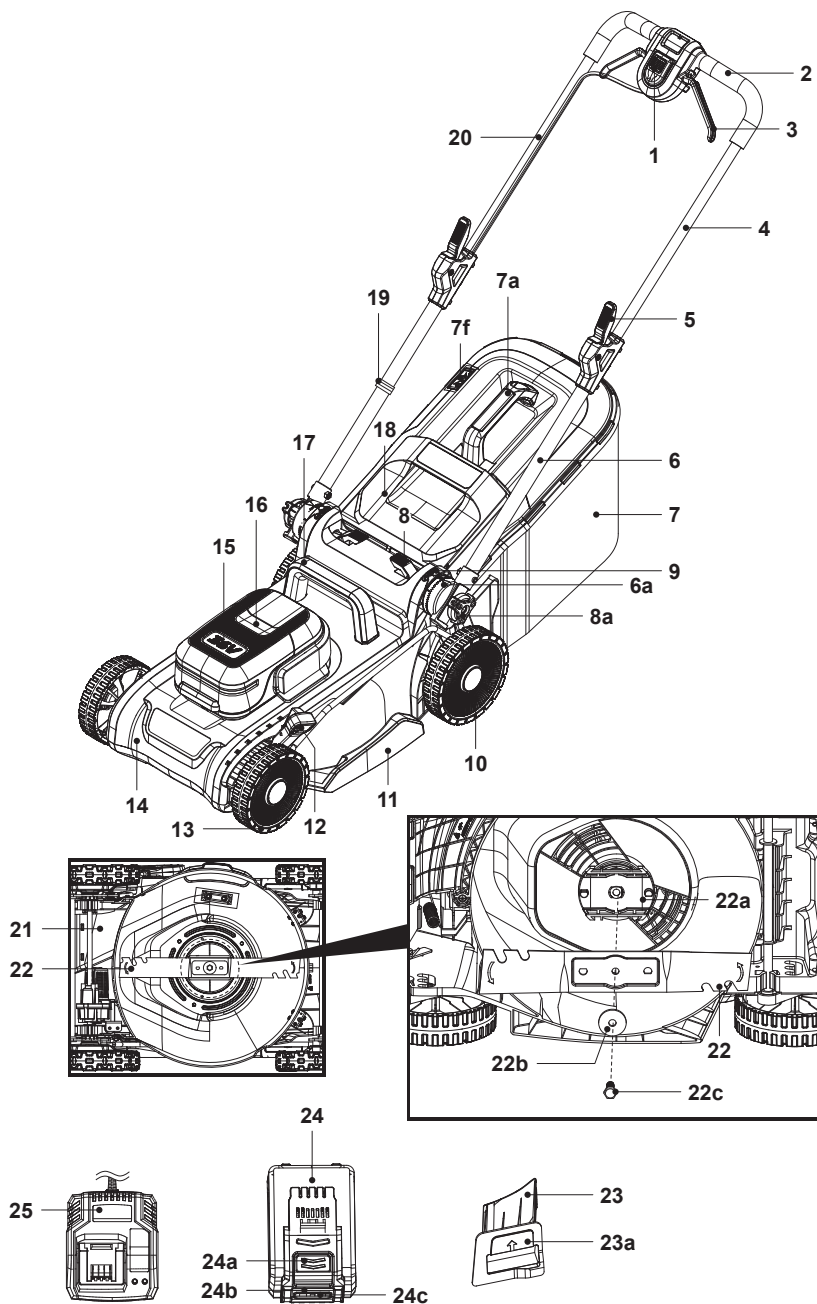
(artigos não fornecidos)

- Equipamento de proteção pessoal adequado
- Chave adequada
- Óleo de lubrificação adequado
- Bateria (24) para EAN 5063022638076 e 5063022637567
- Carregador (25) para EAN 5063022638076 e 5063022637567

PT Índice

PT	
Descrição do produto	3
Segurança	5
Preparação	23
Montagem	24
Funções e regulações	28
Utilização	33
Cuidados e manutenção	36
Garantia	42
Declaração de conformidade	44

PT Descrição do produto



- | | | |
|--|---|---|
| 1. Botão do interruptor de segurança | 9. Suporte da pega (x2) | 17. Pega de transporte |
| 2. Pega | a. Indicador de estacionamento* | 18. Resguardo do defletor traseiro |
| 3. Alavanca de arranque (x2) | b. Indicador de altura elevada da pega* | 19. Grampo do cabo (x2, 1 pré-montado) |
| 4. Guiador superior | c. Indicador de altura baixa da pega* | 20. Cabo de controlo |
| 5. Alavanca de bloqueio (x2) | 10. Roda traseira (x2) | 21. Conduta de descarga traseira |
| 6. Guiador inferior (x2) | 11. Compartimento da lâmina de corte | a. Ranhura* (x2) |
| a. Placa seletora | 12. Alavanca para ajuste da altura de corte | 22. Lâmina de corte |
| b. Triângulo de indicação* | a. Botão de bloqueio* | a. Suporte da lâmina |
| 7. Recipiente de recolha de relva | 13. Roda dianteira (x2) | b. Anilha plana |
| a. Pega de transporte | 14. Pega de transporte dianteira | c. Parafuso de fixação |
| b. Grampo de borracha* (x3) | 15. Tampa do compartimento da bateria | 23. Encaixe do triturador |
| c. Barra de suporte* | a. Contactos elétricos* | a. Pega com reentrância |
| d. Gancho do recipiente de recolha* (x2) | b. Ranhuras de encaixe* (x2) | 24. Bateria |
| e. Pega traseira* | c. Tampa magnética* | a. Botão de desbloqueio |
| f. Escotilha | 16. Cobertura do motor | b. Botão da capacidade da bateria |
| 8. Alavanca de aperto (x2) | a. Visor da bateria* | c. Indicadores da capacidade da bateria |
| a. Botão de bloqueio | b. Respiradouros* | 25. Carregador |



NOTA: As peças marcadas com * não são apresentadas nesta vista geral. Consulte a respetiva secção no manual de instruções.



NOTA: Para EAN 5063022638076 e 5063022637567, a bateria (24) e os carregadores (25) não estão incluídos no âmbito do fornecimento. É necessário comprá-los em separado.



Avisos gerais de segurança da máquina



AVISO! LEIA TODOS OS AVISOS, INSTRUÇÕES, ILUSTRAÇÕES E ESPECIFICAÇÕES DE SEGURANÇA FORNECIDOS COM ESTA MÁQUINA. A NÃO OBSERVÂNCIA DE TODAS AS INSTRUÇÕES LISTADAS ABAIXO PODE RESULTAR EM CHOQUE ELÉTRICO, INCÊNDIO E/OU FERIMENTOS GRAVES.

GUARDE TODOS OS AVISOS E INSTRUÇÕES PARA REFERÊNCIA FUTURA.

O TERMO "MÁQUINA" PRESENTE NOS AVISOS REFERE-SE A UMA MÁQUINA LIGADA À REDE ELÉTRICA (COM FIOS) OU UMA MÁQUINA A BATERIA (SEM FIOS).

Segurança na área de trabalho

- **Mantenha a área de trabalho limpa e bem iluminada.** As áreas desorganizadas ou escuras são propícias a acidentes.
- **Não utilize máquinas em atmosferas explosivas, como na presença de líquidos, gases ou pós inflamáveis.** As máquinas criam faíscas que podem inflamar pó ou fumos.
- **Mantenha as crianças e outros transeuntes afastados durante a utilização da máquina.** Quaisquer distrações podem causar a perda de controlo.

Segurança elétrica

- **As fichas da máquina devem corresponder à tomada. Nunca modifique a ficha de forma alguma. Não utilize fichas adaptadoras ou triplas com máquinas que precisam de ligação à terra.** Utilizar fichas não modificadas e tomadas correspondentes irá reduzir o risco de choque elétrico.
- **Evite o contacto corporal com superfícies ligadas à terra como canos, radiadores, fogões e frigoríficos.** Existe um maior risco de choque elétrico se o seu corpo estiver em contacto com a terra.
- **Não exponha as ferramentas elétricas à chuva ou a condições de humidade.** A entrada de água na ferramenta elétrica aumenta o risco de choque elétrico.
- **Não utilize o cabo de forma negligente. Nunca utilize o cabo para transportar, puxar ou desligar a máquina. Mantenha o cabo afastado de fontes de calor, óleo, arestas afiadas e peças móveis.** Utilizar cabos danificados ou cruzados aumenta o risco de choque elétrico.
- **Ao utilizar uma máquina no exterior, utilize um prolongador adequado para utilização no exterior.** Utilizar uma extensão adequada para utilização no exterior reduz o risco de choque elétrico.
- **Se não for possível evitar a utilização de uma máquina numa área com humidade, utilize uma alimentação elétrica protegida por um disjuntor diferencial residual (DDR).** A utilização de um DDR reduz o risco de choque elétrico.

Segurança pessoal

- **Mantenha-se alerta, veja o que está a fazer e use bom senso durante a utilização de uma máquina. Não utilize uma máquina se estiver cansado ou sob a influência de drogas, álcool ou medicamentos.** Um momento de distração ao utilizar máquinas pode resultar em ferimentos graves.
- **Utilize equipamento de proteção individual. Utilize sempre proteção ocular.** A utilização de equipamentos de proteção, tais como máscara de pó, calçado de segurança antiderrapante, capacete ou proteções auditivas, para as condições adequadas irá reduzir o potencial de ferimentos pessoais.
- **Evite o arranque accidental. Certifique-se de que o interruptor está na posição OFF (desligado) antes de pegar, transportar ou ligar a máquina a uma fonte de alimentação e/ou bateria.** O transporte de máquinas com o dedo no interruptor ou o fornecimento de energia às máquinas com o interruptor ligado é propício a acidentes.
- **Remova quaisquer ferramentas ou chaves de ajuste antes de ligar a máquina.** Esquecer uma ferramenta ou chave presa a uma peça rotativa da máquina pode resultar em ferimentos pessoais.
- **Não se debruce. Mantenha sempre o equilíbrio e os pés bem assentes.** Isto permite um maior controlo da máquina em situações inesperadas.
- **Use vestuário adequado. Não use vestuário largo nem joias. Mantenha o cabelo e o vestuário afastados das peças móveis.** As roupas largas, joias ou cabelos compridos podem ficar presos nas peças móveis.
- **Se forem disponibilizados dispositivos para ligar a instalações de extração e recolha de pó, certifique-se de que estes são ligados e utilizados corretamente.** A utilização de dispositivos de recolha de pó pode reduzir os perigos relacionados com o pó.
- **Não deixe que a familiaridade obtida através da utilização frequente de máquinas o leve a tornar-se complacente e ignorar os princípios de segurança da máquina.** Uma ação descuidada pode causar ferimentos graves numa fração de segundo.

Utilização e cuidados com a máquina

- **Não force a máquina. Utilize a máquina adequada para a sua aplicação.** Utilizar a máquina adequada permitirá concluir o trabalho de forma segura e com melhores resultados nas tarefas para as quais foi concebida.
- **Não utilize a máquina se não for possível ligá-la e desligá-la com o interruptor.** Qualquer máquina que não possa ser controlada com o interruptor é perigosa e deve ser reparada.
- **Desligue a ficha da fonte de alimentação e/ou retire a bateria da máquina, se for amovível, antes de realizar quaisquer ajustes, alterar acessórios ou armazenar as máquinas.** Tais medidas de segurança preventivas reduzem o risco de ligar a máquina acidentalmente.
- **Guarde as máquinas que não estejam a ser utilizadas fora do alcance de crianças e não permita a respetiva utilização por pessoas não familiarizadas com a máquina ou as instruções de utilização da máquina.** As máquinas são perigosas nas mãos de utilizadores inexperientes.
- **Efetue a manutenção das máquinas e acessórios. Verifique a existência de desalinhamento ou emperramento das peças móveis, quebras de peças e qualquer outra condição que possa afetar a utilização da máquina. Se estiver danificada, envie a máquina para reparação antes de a utilizar.** Muitos acidentes são causados por uma manutenção incorreta das máquinas.
- **Mantenha as máquinas de corte afiadas e limpas.** A manutenção adequada das máquinas de corte com extremidades afiadas torna-as menos suscetíveis de emperrar e mais fáceis de controlar.
- **Utilize a máquina, os acessórios e as pontas da ferramenta, etc., de acordo com estas instruções, tendo em atenção as condições de funcionamento e as tarefas a realizar.** Utilizar a máquina para tarefas diferentes da utilização prevista pode resultar numa situação perigosa.

- **Mantenha as pegas e superfícies idênticas secas, limpas e sem óleo ou gordura.** As pegas e superfícies de agarrar escorregadias não permitem um manuseamento e controlo seguros da máquina em situações inesperadas.

Utilizar e cuidar de uma máquina com bateria

- **Recarregue apenas com o carregador especificado pelo fabricante.** Um carregador adequado para um tipo de bateria pode criar um risco de incêndio quando utilizado com outra bateria.
- **Utilize as máquinas apenas com as baterias especificamente designadas para as mesmas.** Utilizar quaisquer outras baterias pode provocar riscos de ferimento e incêndio.
- **Quando a bateria não estiver a ser utilizada, mantenha-a afastada de outros objetos metálicos, como cliques de papel, moedas, chaves, pregos, parafusos ou outros objetos metálicos pequenos que possam criar contacto entre os terminais.** Provocar um curto-circuito entre os terminais da bateria pode resultar em queimaduras ou incêndio.
- **Em condições de negligência, poderão ocorrer fugas de líquidos da bateria; evite o contacto. Se ocorrer um contacto accidental, lave com água. Se entrar líquido em contacto com os olhos, procure também assistência médica.** O líquido da bateria pode causar irritação ou queimaduras.
- **Não utilize baterias ou máquinas danificadas ou modificadas.** As baterias danificadas ou modificadas podem apresentar um comportamento imprevisível, resultando em incêndio, explosão ou risco de ferimentos.
- **Não exponha uma bateria ou máquina a fogo ou a temperaturas excessivas.** A exposição ao fogo ou a temperaturas superiores a 130 °C pode provocar uma explosão.
- **Siga todas as instruções de carregamento e não carregue a bateria ou a máquina fora da gama de temperaturas especificada nas instruções.** O carregamento incorreto ou a temperaturas fora do intervalo especificado pode danificar a bateria e aumentar o risco de incêndio.

Manutenção

- **A manutenção da máquina deve ser realizada por um técnico de reparação qualificado, utilizando apenas peças de substituição idênticas.** Isto irá garantir que a segurança da máquina é conservada.
- **Nunca efetue a manutenção de baterias danificadas.** A manutenção das baterias só deve ser realizada pelo fabricante ou por prestadores de assistência autorizados.

Avisos de segurança do corta-relva

- **Não utilize o corta-relva em condições meteorológicas adversas, especialmente quando existir risco de relâmpagos.** Isto reduz o risco de ser atingido por relâmpagos.
- **Inspecione cuidadosamente a área quanto à existência de vida selvagem onde o corta-relva vai ser utilizado.** O corta-relva pode ferir a vida selvagem durante a respetiva utilização.
- **Inspecione cuidadosamente a área onde o corta-relva vai ser utilizado e remova todos os paus, pedras, fios, ossos e outros objetos estranhos.** Os objetos arremessados podem causar ferimentos pessoais.
- **Antes de utilizar o corta-relva, verifique sempre visualmente se a lâmina e o respetivo conjunto não estão gastos nem danificados.** As peças gastas ou danificadas aumentam o risco de ferimentos.
- **Verifique frequentemente o recipiente de recolha de relva quanto a desgaste e deterioração.** Um recipiente de recolha de relva gasto ou danificado pode aumentar o risco de ferimentos pessoais.
- **Mantenha as proteções no devido lugar. As proteções têm de estar em bom estado de funcionamento e montadas corretamente.** Uma proteção solta, danificada ou a funcionar incorretamente pode resultar em ferimentos pessoais.
- **Mantenha todas as entradas de ar de refrigeração livres de detritos.** Detritos e entradas de ar bloqueadas podem resultar em sobreaquecimento ou risco de incêndio.

- **Durante a utilização do corta-relva, utilize sempre calçado de proteção e antiderrapante. Não utilize o corta-relva sem calçado ou com sandálias abertas.** Isto reduz a possibilidade de ferimentos nos pés provocados pelo contacto com a lâmina em movimento.
- **Durante a utilização do corta-relva, use sempre calças compridas.** A exposição da pele aumenta a probabilidade de ferimentos causados por objetos arremessados.
- **Não utilize o corta-relva em relva molhada. Movimente-se a andar; nunca a correr.** Isto reduz o risco de escorregamento e queda, que pode resultar em ferimentos pessoais.
- **Não utilize o corta-relva em declives excessivamente acentuados.** Isto reduz o risco de perda de controlo, deslizamento e queda, que podem resultar em ferimentos pessoais.
- **Ao trabalhar em declives, certifique-se sempre de que tem os pés bem apoiados, trabalhe deslocando-se sempre transversalmente pela superfície dos declives, nunca para cima ou para baixo e proceda com extremo cuidado ao mudar de direção.** Isto reduz o risco de perda de controlo, deslizamento e queda, que podem resultar em ferimentos pessoais.
- **Proceda com extremo cuidado ao deslocar-se em marcha-atrás ou ao puxar o corta-relva na sua direção. Esteja sempre atento à área circundante.** Isto reduz o risco de tropeçar durante a utilização.
- **Não toque nas lâminas e noutras peças móveis perigosas enquanto estas ainda estiverem em movimento.** Isto reduz o risco de ferimentos provocados por peças móveis.
- **Ao remover material encravado ou ao limpar o corta-relva, certifique-se de que todos os interruptores de alimentação estão desligados e que a bateria está desligada.** O funcionamento inesperado do corta-relva pode resultar em ferimentos pessoais graves.

Instruções de segurança adicionais para o corta-relva

Formação

- Leia as instruções com atenção. Familiarize-se com os controles e a utilização correta do produto.
- Nunca permita que crianças, pessoas com capacidades físicas, mentais ou sensoriais reduzidas ou pouca experiência e conhecimentos, ou pessoas não familiarizadas com as presentes instruções, utilizem o produto. Os regulamentos locais podem restringir a idade do utilizador.
- As crianças devem ser supervisionadas para garantir que não brincam com o produto.
- A limpeza e a manutenção por parte do utilizador não podem ser efetuadas por crianças sem supervisão.
- Nunca corte a relva quando houver pessoas, especialmente crianças, ou animais de estimação por perto.
- Tenha sempre em mente que o operador ou utilizador é responsável por acidentes e perigos sofridos por outras pessoas ou pelos respetivos bens.

Preparação

- Durante o corte, use sempre calçado robusto e calças compridas. Não utilize o produto descalço ou com sandálias. Evite usar vestuário largo ou que tenha cordões pendentes, bem como gravatas.
- Inspeccione minuciosamente a área onde o produto vai ser utilizado e remova todos os objetos que este possa vir a derrubar.
- Antes da utilização, verifique sempre visualmente se a lâmina de corte, os parafusos da lâmina de corte e o conjunto da lâmina de corte não estão gastos nem danificados. Substitua as lâminas de corte e os parafusos gastos ou danificados em conjunto, a fim de preservar o equilíbrio. Substitua as etiquetas danificadas ou ilegíveis.



CUIDADO! NÃO TOQUE NUMA LÂMINA DE CORTE EM ROTAÇÃO.

Funcionamento

- Utilize o produto apenas com luz natural ou com boa iluminação artificial.
- Sempre que exequível, evite utilizar o produto em relva molhada.
- Nos declives, certifique-se sempre de que tem os pés bem apoiados.
- Movimente-se a andar; nunca a correr.
- Corte a relva deslocando-se transversalmente pela superfície dos declives; nunca para cima e para baixo.
- Proceda com extremo cuidado ao mudar de direção em declives.
- Não corte a relva em declives excessivamente íngremes.
- Proceda com extremo cuidado ao fazer marcha-atrás ou ao puxar o produto na sua direção.
- Pare a(s) lâmina(s) de corte se o produto tiver de ser inclinado para transporte ao atravessar superfícies que não sejam de relva, bem como para transportar o produto até à área onde vai ser utilizado e no regresso da mesma.
- Nunca utilize o produto com resguardos ou proteções com defeito ou sem dispositivos de segurança colocados como, por exemplo, defletores e/ou recipientes de recolha de relva.
- Proceda ao arranque do produto, ou ligue o produto, cuidadosamente e de acordo com as instruções, com os pés bem afastados da(s) lâmina(s) de corte.
- Não incline o produto ao ligar o motor, exceto se o produto tiver de estar inclinado para o arranque. Nesse caso, não incline mais do que o absolutamente necessário e levante apenas a parte que está afastada do utilizador.
- Não ligue o produto quando estiver diante da conduta de descarga.
- Não coloque as mãos nem os pés perto ou debaixo das peças rotativas. Mantenha-se sempre afastado da abertura de descarga.
- Não transporte o produto enquanto a bateria estiver montada.

- Pare o produto e remova a bateria. Certifique-se de que todas as peças móveis pararam completamente:
 - sempre que se afastar do produto,
 - antes de limpar bloqueios ou de desobstruir a conduta,
 - antes de verificar, limpar ou trabalhar no produto,
 - após colidir com um objeto estranho. Inspeccione o produto quanto a danos e efetue as reparações antes de voltar a ligar e utilizar o produto.
- Se o produto começar a vibrar de forma anómala (verifique imediatamente)
 - inspeccione quanto a danos,
 - substitua ou repare quaisquer peças danificadas,
 - verifique se há peças soltas e aperte-as.

Manutenção e armazenamento

- Remova a bateria antes de verificar, limpar ou trabalhar no produto, e quando este não estiver a ser utilizado.
- Remova a bateria antes de realizar trabalhos de manutenção ou limpeza.
- Uma manutenção inadequada leva a um mau funcionamento / falha do produto.
- Proceda à inspeção e manutenção regulares do produto. Mantenha todos os parafusos, cavilhas e porcas apertados para ter a certeza de que o produto está em condições de funcionar em segurança.
- Verifique frequentemente o recipiente de recolha de relva quanto a desgaste e deterioração.
- Proceda com cuidado ao ajustar o produto, para evitar o encarceramento dos dedos entre as lâminas em movimento e as partes fixas.
- Deixe sempre o produto arrefecer antes de o armazenar em qualquer tipo de compartimento fechado.
- Quando efetuar a manutenção das lâminas, esteja ciente de que, mesmo com a fonte de alimentação desligada, as lâminas podem mover-se.

- Por questões de segurança, substitua as peças gastas ou danificadas. Utilize apenas peças de substituição e acessórios genuínos.
- Use luvas de trabalho resistentes quando remover e voltar a montar a lâmina de corte.
- Solicite a reparação do produto apenas a um centro de assistência autorizado ou a um especialista qualificado equivalente.
- Quando o produto não estiver a ser utilizado, guarde-o fora do alcance de crianças.

Avisos de segurança adicionais para a bateria

- **É necessário carregar as baterias antes de as utilizar.**
Consulte sempre as instruções do carregador e efetue o carregamento de forma adequada.
- **Remova a bateria do produto quando não o estiver a utilizar.**
- **Não conserve a bateria no carregador quando não estiver a ser utilizado.**
- **Após longos períodos de armazenamento, poderá ser necessário carregar e descarregar a bateria várias vezes para recuperar o desempenho máximo.**
- **É possível conseguir uma vida útil mais longa e um melhor desempenho se a bateria for carregada a temperaturas entre 18 °C e 24 °C.** Não carregue a bateria a uma temperatura inferior a 5 °C ou superior a 40 °C. Isto é importante, uma vez que pode evitar danos graves na bateria.
- **Não carregue a bateria num local molhado ou húmido.**
Ao cumprir esta regra irá reduzir o risco de choque elétrico.
- **Não desmonte a bateria e evite danos mecânicos na mesma. Risco de curto-circuito e emissão de vapores.** Certifique-se de que existe ar fresco e procure assistência médica em caso de desconforto.
- **Ao eliminar uma bateria, mantenha a bateria de diferentes sistemas eletroquímicos separadas entre si.**
- Não ligue o terminal positivo ao terminal negativo da bateria com qualquer objeto metálico (por exemplo, fio).

- Não transporte nem armazene a bateria junto de colares, ganchos de cabelo ou outros objetos metálicos.
- Não perfure a bateria com pregos, não bata na bateria com um martelo, não pise a bateria nem a submeta a qualquer forma de impactos fortes ou choques.
- Não solde diretamente na bateria.
- Não exponha a bateria a água ou água salgada, nem permita que a bateria se molhe.
- Não desmonte nem modifique a bateria.
- Não coloque a bateria no fogo ou perto deste, em fogões ou outros locais com temperaturas elevadas. Não exponha a bateria à luz solar direta, nem utilize ou guarde a bateria no interior de automóveis em condições de temperatura elevada.
- Não coloque a bateria em micro-ondas, recipientes de alta pressão ou panelas e tachos de indução.
- Se pretender armazenar uma bateria durante um período em que o produto não vai ser utilizado, armazene-a à temperatura ambiente (19 °C a 25 °C), carregada com cerca de 3 barras das luzes indicadoras de carga. Se armazenar a bateria durante períodos de tempo muito longos, carregue-a uma vez por ano para evitar a descarga excessiva.

Vigilância de saúde

Todos os funcionários devem estar incluídos no regime de vigilância de saúde da entidade patronal para ajudar a identificar quaisquer doenças relacionadas com a vibração na respetiva fase inicial, evitar a progressão da doença e ajudar os funcionários a manterem-se no trabalho.

Redução de ruído e de vibração

Para reduzir o impacto do ruído e a emissão de vibração, limite o tempo de utilização, utilize modos de operação de baixa vibração e baixo ruído, bem como equipamento de proteção pessoal.

Considere os seguintes pontos para minimizar os riscos de exposição à vibração e ruído:

- Utilize o produto apenas para as tarefas previstas de acordo com o respetivo design e estas instruções.
- Certifique-se de que o produto está em boas condições e tem uma manutenção adequada.
- Utilize os acessórios adequados para o produto e certifique-se de que estes estão em boas condições.
- Mantenha uma prensão firme das pegas / superfícies de apoio.
- Realize a manutenção deste produto de acordo com estas instruções e mantenha-o bem lubrificado (se aplicável).
- Planeie o seu horário de trabalho para dividir o tempo em que usa uma máquina de vibração em vários períodos.
- A utilização prolongada do produto expõe o utilizador a vibrações que podem causar diversas condições conhecidas no seu conjunto como síndrome de vibração mão-braço (HAVS), por exemplo, os dedos ficarem brancos. Também podem ocorrer doenças específicas como a síndrome do túnel cárpico. Para reduzir este risco ao utilizar o produto, utilize sempre luvas de proteção e mantenha as mãos quentes.

Emergência

Familiarize-se com a utilização deste produto através deste manual de instruções. Memorize as orientações de segurança e siga-as à risca. Isto ajudará a prevenir riscos e perigos.

- **Esteja sempre atento ao utilizar esta máquina, para que possa reconhecer e gerir os riscos antecipadamente.** Uma intervenção rápida pode prevenir ferimentos graves e danos materiais.
- **Desligue a máquina e retire a bateria se ocorrer alguma avaria.** Envie o produto para um profissional qualificado para verificação e reparação, se necessário, antes de o voltar a utilizar.

Riscos residuais

Mesmo que esteja a utilizar este produto em conformidade com todos os requisitos de segurança, alguns riscos de ferimentos e danos potenciais mantêm-se. Podem surgir os seguintes perigos relacionados com a estrutura e o design deste produto:













- Problemas de saúde resultantes da emissão de vibração se o produto for utilizado durante longos períodos ou não for submetido a uma gestão e manutenção adequadas.
- Ferimentos e danos materiais resultantes de acessórios partidos ou impactos repentinos de objetos escondidos durante a utilização.
- Perigo de ferimentos e danos materiais provocados por objetos projetados ou acessórios de fraca qualidade da máquina.



AVISO! ESTE PRODUTO PRODUZ UM CAMPO ELETROMAGNÉTICO DURANTE O FUNCIONAMENTO! SOB DETERMINADAS CIRCUNSTÂNCIAS, ESTE CAMPO PODE INTERFERIR COM IMPLANTES MÉDICOS ATIVOS OU PASSIVOS! PARA REDUZIR O RISCO DE FERIMENTOS GRAVES OU FATAIS, RECOMENDAMOS QUE AS PESSOAS COM IMPLANTES MÉDICOS CONSULTEM UM MÉDICO E O FABRICANTE DO IMPLANTE MÉDICO ANTES DE UTILIZAR ESTE PRODUTO.

Símbolos

A etiqueta de classificação do produto e estas instruções incluem, entre outros, os seguintes símbolos e abreviaturas. Familiarize-se com estes elementos para reduzir os riscos, incluindo ferimentos pessoais e danos materiais.

V 	Volt, (tensão de corrente contínua)	mAh	Miliampere por hora
/min ou min ⁻¹	Por minuto	°C	Grau Celsius
n ₀	Velocidade sem carga	L	Litro
g	Gramas	kg	Quilograma
mm	Milímetro	cm	Centímetro
m	Metro	A	Ampere
dB(A)	Decibel (classificação A)	m/s ²	Metros por segundos quadrados
	Bloquear / para apertar ou fixar.		Desbloquear / para soltar.
	Leia o manual de instruções.		Nota / Observação.
			Cuidado / Aviso.
yyWxx	Código da data de fabrico; ano de fabrico (20yy) e semana de fabrico (Wxx).		
IPX1	Protegido contra a queda de água na vertical.		
	Utilize sempre proteção auditiva.		
	Utilize sempre proteção ocular.		
	Use uma máscara antipó.		
	Use luvas de proteção.		
	Utilize calçado de proteção e antiderrapante.		
	Utilize vestuário de proteção justo.		



AVISO – Remova o dispositivo de desativação antes de efetuar a manutenção!

Desligue a máquina e retire a bateria antes das tarefas de montagem, limpeza, ajuste, manutenção, armazenamento e transporte.



AVISO – Desligue a bateria antes de efetuar trabalhos de manutenção!



Este é uma máquina da classe de proteção III.



Não exponha o produto à chuva nem a espaços molhados (condições de humidade).



Corte a relva deslocando-se transversalmente pela superfície dos declives; nunca para cima e para baixo.



Inspeccione a área onde o produto vai ser utilizado e remova todos os objetos que este possa vir a projetar. Se houver objetos ocultos durante o funcionamento, pare o motor e remova-os.



AVISO – Cuidado com os objetos projetados; mantenha os transeuntes afastados!

Os objetos projetados pelo produto podem atingir o utilizador ou outros transeuntes. Certifique-se sempre de que outras pessoas e animais se encontram a uma distância segura do produto durante a sua utilização. Em geral, as crianças não devem aproximar-se da área onde se encontra o produto.



AVISO - Mantenha as mãos e os pés afastados das lâminas!

Perigo de ferimentos! Para efetuar trabalhos de limpeza, reparação ou inspeção, certifique-se de que a lâmina de corte e todas as peças que cortam a relva estão parados.



PERIGO - Mantenha as mãos e os pés afastados!



A lâmina de corte continua a rodar mesmo depois de o produto ter sido desligado. Aguarde até que todos os componentes da máquina tenham parado completamente antes de tocar no produto.



Preste especial atenção ao trabalhar na lâmina de corte!



O recipiente de recolha de relva está pronto para recolher relva.



O recipiente de recolha de relva está cheio, esvazie-o.



Não abra o resguardo do defletor traseiro quando o motor estiver em funcionamento.



Mantenha sempre o resguardo do defletor traseiro fechado quando o motor estiver a funcionar.



Nível de potência sonora garantido de 88 dB(A).



Símbolo REEE. Os resíduos de produtos elétricos não devem ser eliminados com o lixo doméstico. Recicle nas instalações adequadas, sempre que existentes. Informe-se sobre a reciclagem junto às autoridades ou loja locais.



Caixote do lixo com uma cruz por cima. As baterias não devem ser eliminadas em conjunto com os resíduos domésticos. Recicle nas instalações adequadas, sempre que existentes. Informe-se sobre a reciclagem junto às autoridades ou loja locais.



Não elimine as baterias em rios nem as mergulhe em água.



Não elimine baterias queimando-as. Caso contrário, estas explodem e provocam ferimentos.



Não exponha baterias a calor acima de 40 °C.

Não carregue nem guarde a bateria a temperaturas inferiores a 5 °C (41 °F) e superiores a 40 °C (104 °F).




O produto está em conformidade com as diretivas europeias aplicáveis e foi aplicado um método de avaliação de conformidade com estas diretivas.

Especificações técnicas

Generais

> Tensão nominal	: 36 V
> Velocidade nominal sem carga n_0	: 3200 min ⁻¹
> Largura de corte	: 38 cm
> Intervalo de altura de corte	: 25-75 mm, 6 níveis
> Volume do recipiente de recolha de relva	: 45 L
> Classe de proteção	: Funcionamento a bateria
> Grau de proteção	: IPX1
> Tamanho das rodas	: Ø 160 x 40 mm (roda dianteira) Ø 180 x 40 mm (roda traseira)
> Peso	: aprox. 16,85 kg
> Dimensões	: aprox. 134 x 44 x 100 cm

Bateria

- > **N.º de modelo** : MDVB36-4 / TTB812BAT / MCT1239BAT / TTT1240BAT
- > **Tipo** : Iões de lítio, 10 INR 21700 células
- > **Capacidade** : 4 / 8 Ah
- > **Tensão** : 36 / 18 V 
- > **Peso** : aprox. 1,05 kg

Carregador de bateria

- > **N.º de modelo** : MFC36 / TTB815CHR / MCB1241CHR / TTB1242CHR
- > **Saída nominal** : 21 V , 8 A



NOTA: Este corta-relva de 36 V é utilizado com a bateria de dupla tensão de 36 / 18 V, conforme os modelos acima.

Gama de temperaturas ambiente para a utilização e armazenamento de ferramentas e baterias: 5–40 °C
Gama de temperaturas ambiente para o sistema de carregamento durante o carregamento: 5–40 °C

Especificações acústicas

- > **Nível de pressão sonora L_{pA}** : 78,77 dB(A)
- > **Incerteza K_{pA}** : 3 dB(A)
- > **Nível de potência sonora medido, L_{WA}** : 86,92 dB(A)
- > **Incerteza K_{WA}** : 0,63 dB(A)
- > **Nível de potência sonora garantido, L_{WA}**
(em conformidade com a norma 2000/14/CE,
aditada pela norma 2005/88/CE) : 88 dB(A)

Valores de vibração

- > **Vibrações nas mãos e nos braços, $a_{h,w}$** : 0,346 m/s²
- > **Incerteza, K** : 1,5 m/s²

Os valores sonoros foram determinados de acordo com o código de ensaio de ruído previsto nas normas EN 62841-1 e EN IEC 62841-4-3, utilizando a norma de base EN ISO 3744.

O nível de intensidade sonora para o utilizador pode exceder 80 dB(A), o que requer medidas de proteção auditiva. Os valores declarados de vibração total e de emissão de ruído foram medidos de acordo com um método de teste normalizado (EN 62841-1, EN IEC 62841-4-3) e podem ser utilizados para comparar máquinas; também podem ser utilizados numa avaliação preliminar da exposição.



AVISO! OS VALORES DE VIBRAÇÃO E EMISSÃO DE RUÍDO VERIFICADOS DURANTE A UTILIZAÇÃO DA MÁQUINA PODEM SER DIFERENTES DOS VALORES DECLARADOS, DEPENDENDO DA FORMA COMO A MÁQUINA É UTILIZADA, ESPECIALMENTE DO TIPO DE PEÇA DE TRABALHO PROCESSADA.

É NECESSÁRIO IDENTIFICAR MEDIDAS DE SEGURANÇA PARA PROTEGER O UTILIZADOR QUE SE BASEIEM NUMA ESTIMATIVA DA EXPOSIÇÃO NAS CONDIÇÕES REAIS DE UTILIZAÇÃO (TENDO EM CONSIDERAÇÃO TODAS AS PARTES DO CICLO DE FUNCIONAMENTO, COMO O TEMPO EM QUE A MÁQUINA ESTÁ DESLIGADA E QUANDO ESTÁ EM FUNCIONAMENTO EM RALENTI, ALÉM DO TEMPO DE APERTO DO GATILHO).

Explicação da etiqueta de classificação

Corta-relva: MCT1191LWM

MCT = MAC Allister (nome da marca)

1191 = Código sequencial

LWM = Corta-relva

Corta-relva: TTT1192LWM

TTT = TITAN (nome da marca)

1192 = Código sequencial

LWM = Corta-relva

PT Preparação

Desembalar



NOTA: A máquina é pesada; peça ajuda a outra pessoa, se necessário.

1. Desembale todas as peças e coloque-as numa superfície lisa e estável.
2. Remova todos os materiais de embalagem e dispositivos de envio, se aplicável.
3. Certifique-se de que o conteúdo entregue está completo e livre de danos. Caso descubra que existem peças em falta ou que estas apresentam danos, não utilize a máquina e contacte um representante. Utilizar um produto incompleto ou danificado é um perigo para pessoas e bens.
4. Certifique-se de que dispõe de todos os acessórios e ferramentas necessários para a montagem e a utilização. Isto também inclui equipamento de proteção pessoal adequado.



AVISO! A MÁQUINA E A EMBALAGEM NÃO SÃO BRINQUEDOS PARA CRIANÇAS! AS CRIANÇAS NÃO DEVEM BRINCAR COM SACOS DE PLÁSTICO, FOLHAS E PEÇAS PEQUENAS! EXISTE PERIGO DE ASFIXIA E SUFOCAÇÃO!

Vai precisar

(Artigos não fornecidos)

Equipamento de proteção individual adequado

Chave adequada

Óleo de lubrificação adequado

Bateria (24) para EAN 5063022638076 e

5063022637567

Carregador (25) para EAN 5063022638076 e

5063022637567

(Artigos fornecidos)

Recipiente de recolha de relva (7)

Lâminas de corte (22)

Encaixe do triturador (23)



NOTA: Os acessórios necessários dependem da aplicação pretendida. Contacte o seu fornecedor para obter aconselhamento.

PT Montagem



AVISO! A MÁQUINA TEM DE ESTAR TOTALMENTE MONTADA ANTES DA UTILIZAÇÃO!



NÃO UTILIZE UMA MÁQUINA QUE ESTEJA APENAS PARCIALMENTE MONTADA OU MONTADA COM PEÇAS DANIFICADAS!



UTILIZE LUVAS DE PROTEÇÃO PARA ESTE TRABALHO DE MONTAGEM E COLOQUE SEMPRE A MÁQUINA SOBRE UMA SUPERFÍCIE PLANA E ESTÁVEL DURANTE A MONTAGEM.

SIGA AS INSTRUÇÕES DE MONTAGEM PASSO A PASSO E UTILIZE AS FIGURAS FORNECIDAS COMO GUIA VISUAL PARA MONTAR FACILMENTE O PRODUTO!

ANTES DE UTILIZAR A MÁQUINA, FAMILIARIZE-SE COM AS CARACTERÍSTICAS DE FUNCIONAMENTO E LEIA TODO O MANUAL DE INSTRUÇÕES, PRESTANDO ESPECIAL ATENÇÃO ÀS NORMAS DE SEGURANÇA E PROCEDIMENTOS DE UTILIZAÇÃO.

NÃO LIGUE A MÁQUINA À BATERIA (24) ANTES DE ESTAR TOTALMENTE MONTADA!



NOTA: Tenha em atenção as pequenas peças removidas durante a montagem ou a realização de ajustes. Mantenha-as seguras para evitar perdas.

Se necessário, peça ajuda a outra pessoa para montar a máquina.

Montagem da pega

1. Coloque a máquina em terreno plano e regular.
2. Desaperte os dois botões de bloqueio (8a) para a esquerda nos guiadores inferiores (6), mas não os remova (Fig. 1, passo 1).
3. Segure a pega (2) com uma mão e desdobre o respetivo conjunto (4, 6) (Fig. 1, passo 2).
4. Alinhe o triângulo de indicação (6b) na placa seletora (6a) com um dos indicadores de altura da pega (9b/9c) no suporte da pega (9) e, em seguida, fixe o conjunto da pega (4, 6) apertando os botões de bloqueio (8a) (Fig. 2).
5. Certifique-se de que os dois guiadores inferiores (6) estão montados à mesma altura em ambos os lados.
6. Certifique-se de que o cabo de controlo (20) percorre a parte superior do guiador inferior (6).

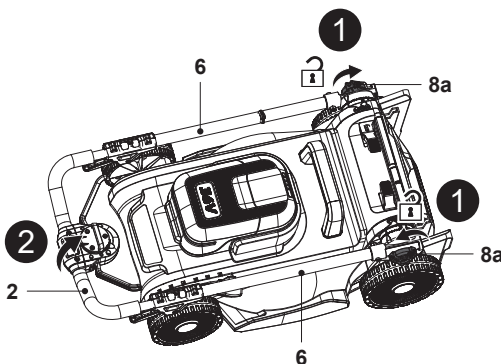


Fig. 1

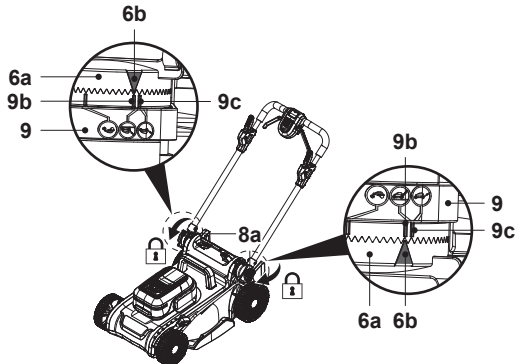


Fig. 2

7. Abra as duas alavancas de bloqueio (5), segure a pega (2) e puxe gradualmente o guiador superior (4) até ao fim (Fig. 3, passos 1, 2).



AVISO! PUXE OU EMPURRE O GUIADOR SUPERIOR (4) SUAVEMENTE. NÃO USE FORÇA SÚBITA!



NOTA: Utilize apenas o corta-relva com o guiador superior (4) totalmente puxado até ao fim! Não utilize o guiador superior (4) fixo na posição intermédia.

8. Feche as duas alavancas de bloqueio (5) e verifique se o guiador superior (5) está fixo (Fig. 3, passo 3).

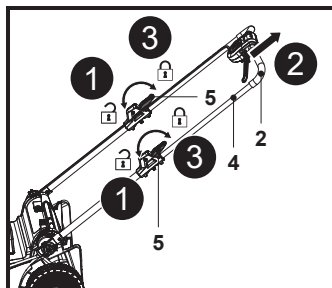


Fig. 3



AVISO! CERTIFIQUE-SE DE QUE AS ALAVANCAS DE BLOQUEIO (5) ESTÃO DEVIDAMENTE FIXAS ANTES DE UTILIZAR A MÁQUINA.

9. Fixe o cabo de controlo (20) aos grampos do cabo (19), que podem estar pré-instalados no guiador inferior (6) (Fig. 4).

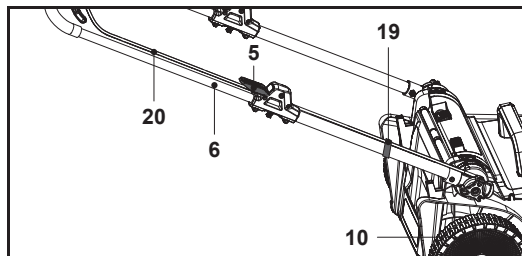


Fig. 4

10. Verifique o estado do cabo de controlo (20) e mantenha-o afastado da roda traseira (10).

Recipiente de recolha de relva

1. Encaixe os três grampos de borracha (7b) na barra de suporte (7c) do recipiente de recolha de relva (7) (Fig. 5).
2. Monte a pega de transporte (7a) nas duas ranhuras de fixação na estrutura superior do recipiente de recolha de relva (7), prestando atenção à orientação correta (Fig. 6).
3. Certifique-se de que a pega de transporte (7a) está firmemente no lugar antes de usar.
4. Abra o resguardo do defletor traseiro (18) e fixe-o na posição (Fig. 7, passo 1).
5. Transporte o recipiente de recolha de relva (7) pela pega (7a).

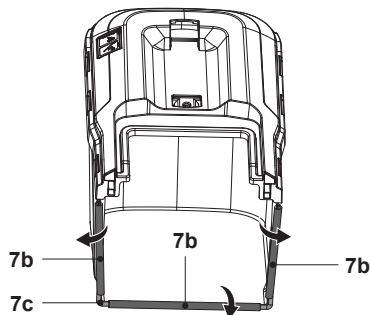


Fig. 5

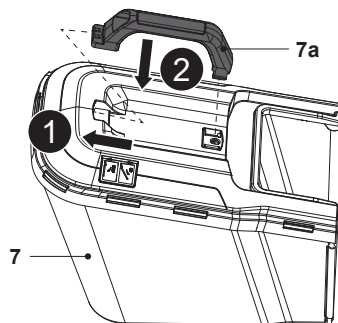


Fig. 6

6. Alinhe os dois ganchos do recipiente de recolha de relva (7d) com as ranhuras (21a) e pendure o recipiente de recolha de relva (7) nas mesmas (Fig. 7, passo 2).
7. Depois, solte cuidadosamente o resguardo do defletor traseiro (18).

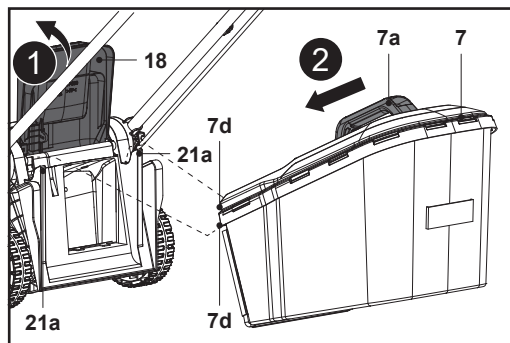


Fig. 7

- i** **NOTA:** Transporte sempre o recipiente de recolha de relva (7) pela pega (7a). Antes de prender o recipiente de recolha de relva (7), verifique se o encaixe do triturador (23) está na conduta de descarga traseira (21). Retire o encaixe do triturador (23) antes de prender o recipiente de recolha de relva (7).
- i** **NOTA:** O encaixe do triturador (23) tem de ser removido antes de utilizar o recipiente de recolha de relva (7).

Bateria

Colocar a bateria

1. Levante a tampa magnética (15c) e abra a tampa do compartimento da bateria (15) (Fig. 8, passo 1).
2. Alinhe a bateria (24) com as duas ranhuras de encaixe (15b) e faça deslizar a bateria (24) para a fixar (Fig. 8, passo 2).
3. Certifique-se de que os contactos elétricos (15a) estão totalmente inseridos na bateria (24) e que encaixam no devido lugar com um clique.
4. A bateria (24) só pode ser instalada numa direção.
5. Feche cuidadosamente a tampa do compartimento da bateria (15).

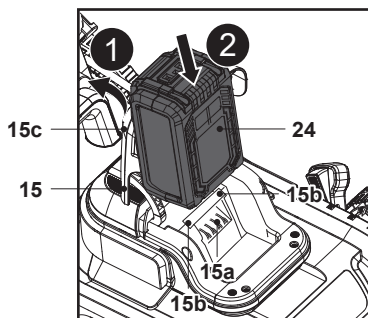


Fig. 8

Remover a bateria

A bateria (24) não pode ser carregada enquanto estiver no interior do corta-relva. Remova a bateria (24) do respetivo compartimento para a carregar.

1. Levante a tampa magnética (15c) e abra a tampa do compartimento da bateria (15) (Fig. 9, passo 1).
2. Prima o botão de desbloqueio (24a) para desbloquear o trinco da bateria (24) (Fig. 9, passo 2).
3. Faça deslizar a bateria (24) para fora do compartimento (Fig. 9, passo 3).
4. Feche cuidadosamente a tampa do compartimento da bateria (15).

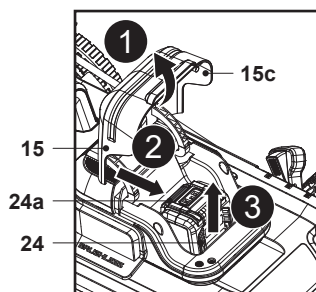


Fig. 9

Carregamento da bateria

A bateria (24) foi enviada com carga baixa. Carregue a bateria completamente antes da primeira utilização. Consulte o manual de instruções do carregador para obter mais informações.

Indicadores da capacidade da bateria

A bateria (24) está equipada com indicadores da capacidade da bateria (24c) que são utilizados para indicar a capacidade restante da bateria. Prima o botão de capacidade da bateria (24b) para verificar a respetiva capacidade (Fig. 10). Os LED ficam acesos durante cerca de 3 segundos.

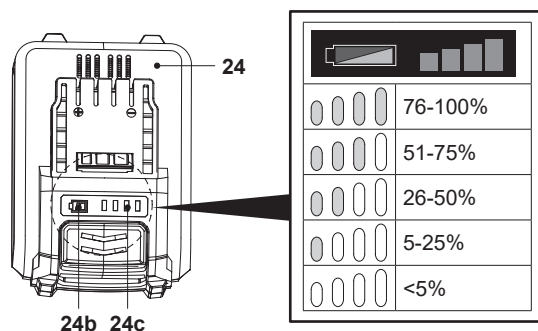


Fig. 10

PT Funções e definições

Utilização prevista

Este corta-relva sem fios foi concebido com uma tensão nominal de 36 V . Foi concebido para ser utilizado apenas com a bateria indicada no capítulo "Especificações técnicas".

A máquina destina-se ao corte de relva apenas em jardins domésticos. Este produto não pode ser utilizado para cortar relva invulgarmente alta, seca ou molhada como, por exemplo, pastagens ou para triturar folhas.

É proibida a utilização desta máquina em caso de chuva ou ambiente húmido.

Por razões de segurança, é essencial ler todo o manual de instruções antes da primeira utilização e respeitar todas as instruções que se encontram no mesmo.

Esta máquina destina-se apenas a utilização doméstica e não a qualquer utilização comercial. Este produto não pode ser utilizado para outros fins que não os descritos.

Ajuste da altura da pega



AVISO! DESLIGUE A MÁQUINA E REMOVA A BATERIA (24). AGUARDE ATÉ QUE A LÂMINA DE CORTE (22) PARE COMPLETAMENTE ANTES DE AJUSTAR A ALTURA DA PEGA!



Ajuste a altura do conjunto da pega de acordo com as suas necessidades. A pega pode ser ajustada a duas alturas.

1. Segure o conjunto da pega (4, 6) com uma mão.
2. Desdobre as duas alavancas de aperto (8) com a outra mão e, em seguida, rode o conjunto da pega (4, 6) para a outra posição de altura da pega (Fig. 11, passos 1, 2).
3. Certifique-se de que o triângulo de indicação (6b) está alinhado com o indicador de altura da pega (9b/9c) e, em seguida, dobre as duas alavancas de aperto (8) para fixar o conjunto da pega (4, 6) (Fig. 11, passo 3).
4. Certifique-se de que o conjunto da pega (4, 6) está montado à mesma altura em ambos os lados.

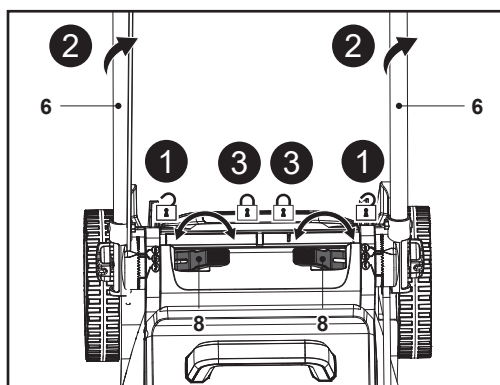


Fig. 11

Ajuste da altura de corte



AVISO! DESLIGUE A MÁQUINA E REMOVA A BATERIA (24). AGUARDE ATÉ QUE A LÂMINA DE CORTE (22) PARE COMPLETAMENTE ANTES DE AJUSTAR A ALTURA DE CORTE!



ASSEGURE-SE DE QUE A ALAVANCA ENGRENA ENTRE DOIS DOS DENTES!

PARA O PRIMEIRO CORTE DA ESTAÇÃO DEVE SER ESCOLHIDA UMA ALTURA DE CORTE ADEQUADA. NÃO ESCOLHA UMA ALTURA DE CORTE BAIXA SE A RELVA FOR COMPRIDA E GORDUROSA, O MOTOR PODE NÃO CONSEGUIR ARRANCAR CORRETAMENTE.

AO LIGAR O CORTA-RELVA, VERIFIQUE A ALTURA DA RELVA. SE A RELVA FOR DEMASIADO ALTA, O CORTA-RELVA NÃO ARRANCA. IRÁ ENTÃO AUMENTAR A ALTURA DE CORTE. ESTA FUNCIONALIDADE PERMITE POUPAR O MOTOR E MELHORAR A AUTONOMIA DAS BATERIAS.

Ajuste a altura de corte de acordo com as necessidades do relvado. A altura de corte depende do tipo de relva e da sua altura concreta. Ao cortar relva alta, comece pela altura de corte máxima, fazendo depois um segundo corte com menor altura.

1. Prima o botão de bloqueio (12a) e mantenha-o nessa posição (Fig. 12, passo 1).
2. Desloque a alavanca (12) para a frente ou para trás para ajustar a altura de corte (Fig. 12, passo 2).
3. Solte o botão de bloqueio (12a) e certifique-se de que a alavanca (12) engata corretamente na ranhura (Fig. 12, passo 3).

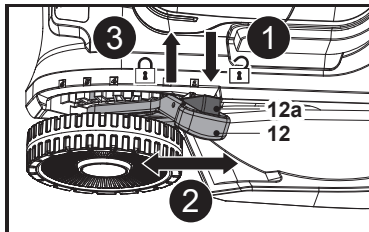


Fig. 12



AVISO! CERTIFIQUE-SE DE QUE A ALAVANCA (12) ENGATA NA RANHURA APÓS CADA AJUSTE.



NOTA: A altura de corte pode ser ajustada entre 25 mm e 75 mm em 6 passos.

Os valores da altura de corte devem ser utilizados apenas como orientação. Dependendo das condições do relvado ou do solo, a altura real do relvado pode tornar-se ligeiramente diferente da altura definida.

Recipiente de recolha de relva



AVISO! NÃO TENTE UTILIZAR A MÁQUINA SEM O RECIPIENTE DE RECOLHA DE RELVA (7) ACOPLADO. EXISTE O PERIGO DE SEREM PROJETADOS OBJETOS!

DESLIGUE A MÁQUINA E REMOVA A BATERIA (24). AGUARDE ATÉ QUE A LÂMINA DE CORTE (22) TENHA PARADO COMPLETAMENTE ANTES DE REMOVER O RECIPIENTE DE RECOLHA DE RELVA (7)!

1. Fixe sempre o recipiente de recolha de relva (7) quando utilizar a máquina para a recolha de relva, conforme descrito na secção "Montagem – recipiente de recolha de relva".
2. Transporte sempre o recipiente de recolha de relva (7) pela pega (7a).

Indicador

O recipiente de recolha de relva (7) está equipado com uma escotilha (7f) que indica o enchimento durante o funcionamento.

1. Quando a escotilha (7f) está aberta, resta volume suficiente no recipiente de recolha de relva (7) (Fig. 13).
2. Quando a escotilha (7f) está fechada, o recipiente de recolha de relva (7) está cheio e tem de ser esvaziado (Fig. 14).

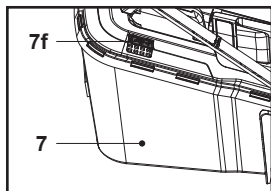


Fig. 13

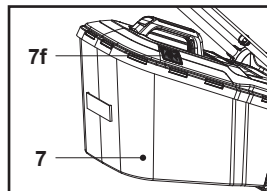


Fig. 14

Esvaziamento



AVISO! DESLIGUE A MÁQUINA, RETIRE A BATERIA (24) E, EM SEGUIDA, AGUARDE QUE A LÂMINA DE CORTE (22) PARE COMPLETAMENTE ANTES DE REMOVER O RECIPIENTE DE RECOLHA DE RELVA (7)!

Esvazie o recipiente de recolha de relva (7) frequentemente durante a utilização. Não espere até que fique completamente cheio. Recomenda-se que o esvazie quando estiver 90% cheio ou houver vestígios de fugas de relva no relvado.



NOTA: Um recipiente de recolha de relva (7) cheio reduz o desempenho desta máquina.

1. Levante o resguardo do defletor traseiro (18) e fixe-o na posição.
2. Levante os ganchos do recipiente de recolha de relva (7d) das ranhuras (21a) e retire o recipiente de recolha de relva (7).
3. Remova as aparas de relva da conduta de descarga traseira (21) para dentro do recipiente de recolha de relva (7). Use uma ferramenta adequada, como uma escova.
4. Retire o recipiente de recolha de relva (7) pela pega de transporte (7a).
5. Esvazie as aparas de relva numa pilha de composto com as pegas (7a, 7e).
6. Volte a instalar o recipiente de recolha de relva (7) na máquina e certifique-se de que os ganchos do recipiente de recolha de relva (7d) se mantêm corretamente nas ranhuras (21a), conforme descrito na secção "Montagem – recipiente de recolha de relva".



AVISO! NUNCA USE AS MÃOS OU OS PÉS PARA REMOVER RELVA CORTADA DA CONDUITA DE DESCARGA TRASEIRA (21)!



Encaixe do triturador

O encaixe do triturador (23) impede a recolha de relva ao bloquear a conduta de descarga traseira (21). Isto permite que as aparas de relva sejam depositadas novamente no relvado durante o corte.



NOTA: Trituração significa o corte e o retorno de restos de relva ao relvado num só passo: a relva cortada é reduzida a aparas muito pequenas e depois, distribuída uniformemente pelo relvado. Em condições normais, a relva triturada biodegrada-se rapidamente, fornecendo nutrientes ao relvado.

Não insira o recipiente de recolha de relva (7) e o encaixe do triturador (23) ao mesmo tempo.

1. Abra o resguardo do defletor traseiro (18), mantenha a pega com reentrância (23a) na posição e insira o encaixe do triturador (23) na conduta de descarga traseira (21) até ao fim (Fig. 15).
2. Levante a pega com reentrância (23a) e puxe o encaixe do triturador (23) para fora da conduta de descarga traseira (21) e, em seguida, retire o encaixe do triturador (23) (Fig. 16).

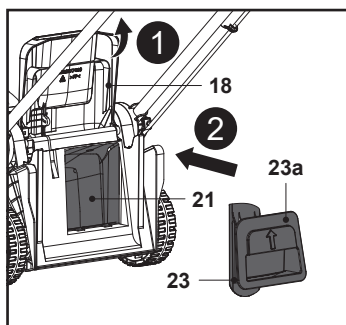


Fig. 15

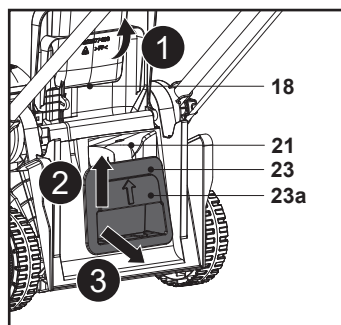


Fig. 16

Sistema de proteção da máquina / bateria

O corta-relva tem um sistema de proteção incorporado. Este sistema corta automaticamente a alimentação do motor para prolongar a vida útil da ferramenta e da bateria. O corta-relva para automaticamente durante o funcionamento se for colocado numa das seguintes condições.

Proteção contra sobrecarga

A máquina para automaticamente sem qualquer indicação quando é utilizada de uma forma que a obriga a consumir uma quantidade anormalmente elevada de energia. Nesta situação, desligue a máquina e pare a aplicação que fez com que a máquina entrasse em sobrecarga. Em seguida, ligue a máquina para reiniciar.

Proteção contra sobreaquecimento

Quando está sobreaquecida, a bateria para automaticamente. Deixe a máquina arrefecer antes de a voltar a ligar.

Proteção contra descarga excessiva

Quando a capacidade da bateria se torna fraca, a máquina para automaticamente. Se o produto não funcionar mesmo quando os interruptores são acionados, retire as baterias da máquina e carregue-as.

Funcionamento geral

1. Verifique se existem danos na máquina, na bateria e no carregador, bem como nos acessórios, antes de cada utilização. Não utilize a máquina se este estiver danificada ou apresentar sinais de desgaste. Resolva qualquer problema que encontre ou solicite a verificação da máquina por um especialista qualificado.
2. Verifique novamente se os acessórios estão devidamente fixados.
3. Empurre sempre a máquina utilizando a pega (2). Mantenha as pegas secas para garantir um suporte seguro.
4. Certifique-se de que os respiradouros (16b) estão sempre desobstruídos e limpos. Se necessário, limpe-os com uma escova macia. O bloqueio dos respiradouros pode provocar um sobreaquecimento e danificar a máquina.
5. Desligue a máquina imediatamente e remova a bateria (24) se for interrompido pela entrada de outras pessoas na área de trabalho. Aguarde sempre que a máquina pare completamente antes de a deixar sem vigilância.
6. Não trabalhe em excesso. Faça pausas regularmente para garantir que se consegue concentrar no trabalho e ter controlo total sobre a máquina.

Arranque / paragem



AVISO! ANTES DE COMEÇAR, COLOQUE A MÁQUINA SOBRE UMA SUPERFÍCIE PLANA E SEM RELVA ALTA!



LIMPE A PARTE INFERIOR DA PLATAFORMA!

LIGUE O MOTOR CUIDADOSAMENTE, DE ACORDO COM AS INSTRUÇÕES. MANTENHA OS PÉS BEM AFASTADOS DA LÂMINA DE CORTE (22)!

NÃO INCLINE A MÁQUINA AQUANDO DO ARRANQUE DO MOTOR.

Arranque



NOTA: A máquina só pode ser iniciada premindo o botão do interruptor de segurança (1) e pressionando as alavancas de arranque (3). Não é possível iniciar a máquina invertendo os passos.

1. Levante a tampa magnética (15c), abra a tampa do compartimento da bateria (15) e, em seguida, insira totalmente a bateria (24).
2. Feche cuidadosamente a tampa do compartimento da bateria (15).
3. Mantenha-se atrás da pega (2).
4. Mantendo o botão do interruptor de segurança (1) premido, puxe as alavancas de arranque (3) na direção da pega (2) e mantenha-as nessa posição (Fig. 17, passos 1, 2).
5. Após o arranque do corta-relva, liberte o botão do interruptor de segurança (1).
6. A capacidade real da bateria será apresentada no visor da bateria (16a) na parte posterior da cobertura do motor (16).
7. Empurre a máquina para a frente e comece a cortar.

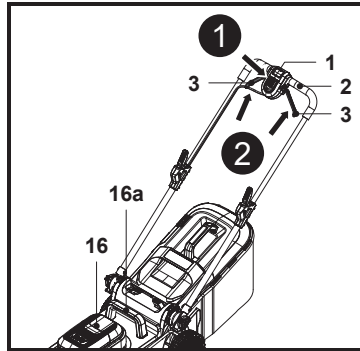


Fig. 17

Paragem

Solte as alavancas de arranque (3) para parar o motor e a lâmina de corte (22) (Fig. 18).

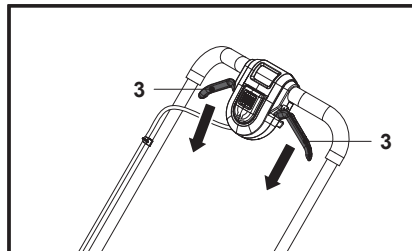


Fig. 18

Corte

1. Certifique-se de que o relvado não tem pedras, paus, arames ou outros objetos que possam danificar a máquina ou a respetiva lâmina.
2. Não corte relva molhada, pois esta tende a colar-se ao fundo da máquina, impedindo a descarga adequada de relva cortada, e pode também fazê-lo escorregar e cair.
3. Para ter um relvado saudável, nunca corte mais do que um terço do comprimento total da relva. No outono, os relvados só devem ser cortados se houver crescimento.
4. Empurre lentamente a máquina para a frente.
5. Corte em linhas com ligeira sobreposição. O padrão mais eficaz para cortar relva é em linhas retas ao longo de um dos lados. Isso mantém as linhas uniformes e garante que o corte é realizado em todo o relvado, sem falhar zonas (Fig. 19).

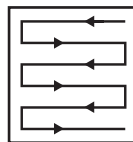


Fig. 19

6. Movimente-se em círculo em torno de canteiros de flores. Quando chegar a um canteiro de flores no meio do relvado, corte uma ou duas linhas em torno da circunferência do canteiro.
7. Preste especial atenção ao mudar de direção.
8. Esvazie o recipiente de recolha de relva (7) regularmente.



AVISO! SE A MÁQUINA EMBATER NUM OBJETO ESTRANHO, PARE IMEDIATAMENTE! DEIXE A MÁQUINA ARREFECER E INSPECIONE-A MINUCIOSAMENTE QUANTO A DANOS! SOLICITE A REPARAÇÃO DE QUAISQUER DANOS ANTES DE VOLTAR A LIGAR!



VIBRAÇÕES INTENSAS DA MÁQUINA DURANTE A UTILIZAÇÃO SÃO UM INDÍCIO DE DANOS! A MÁQUINA DEVE SER IMEDIATAMENTE INSPECIONADA E REPARADA!

9. Prepare a máquina de acordo com a aplicação para a qual vai ser necessária.

Função	Recipiente de recolha de relva	Encaixe do triturador
Recolha de relva	acoplado	removido
Trituração	removido	inserido

Recolha de relva

1. Remova o encaixe do triturador (23) e instale o recipiente de recolha de relva (7).
2. Esvazie o recipiente de recolha de relva (7) regularmente.

Trituração



NOTA: Trituração significa o corte e o retorno de restos de relva ao relvado num só passo: a relva cortada é reduzida a aparas muito pequenas e depois, distribuída uniformemente pelo relvado. Em condições normais, a relva triturada biodegrada-se rapidamente, fornecendo nutrientes ao relvado.

1. Insira o encaixe do triturador (23) na conduta de descarga traseira (21) e certifique-se de que o recipiente de recolha de relva (7) não está instalado na máquina.
2. Evite cortar a relva quando esta estiver molhada devido à chuva ou ao orvalho. A relva molhada pode formar aglomerados que interferem com a ação de trituração e reduzem o tempo de atividade. A melhor altura para cortar a relva é ao fim da tarde, quando está seca e a área recém-cortada não vai ficar exposta à luz direta do sol.
3. Defina a altura de corte para cerca de um terço do comprimento da lâmina para relva. O ideal é que não seja superior a 35 mm de cada vez, para melhor desempenho de trituração. Se a relva tiver crescido descontroladamente, poderá ser necessário aumentar a altura de corte para reduzir o esforço de empurrar e evitar sobrecarregar o motor. Para trabalhos pesados de trituração, é recomendável cortar primeiro a uma altura elevada e depois a uma altura inferior. Caso contrário, faça cortes mais estreitos e avance lentamente.
4. Mantenha o alojamento livre de relva acumulada para o melhor desempenho. De vez em quando, desligue o produto e aguarde até que a lâmina pare completamente. Depois, vire o equipamento de lado. Usando um objeto como um pau, remova qualquer relva acumulada na área da lâmina. Tenha cuidado com as arestas afiadas da lâmina. Limpe frequentemente depois de cortar relva nova e após cada utilização.
5. Certos tipos de relva ou condições da relva requerem que uma área seja triturada uma segunda vez, para dispersar totalmente a relva pelo relvado. Ao cortar pela segunda vez, é recomendável cortar perpendicularmente ao (através do) primeiro padrão de corte. Não altere o padrão de corte de nenhuma forma que o possa fazer cortar a relva a descer.
6. Altere o padrão de corte de semana para semana. Isso ajuda a evitar a compactação e granulação do relvado.

Após a utilização

1. Desligue a máquina, retire a bateria (24) e deixe-a arrefecer.
2. Verifique, limpe e armazene a máquina conforme descrito abaixo.

Regras de ouro para cuidados



AVISO! DESLIGUE SEMPRE A MÁQUINA, REMOVA A BATERIA (24) E PERMITA QUE A MÁQUINA ARREFEÇA ANTES DE EFETUAR TRABALHOS DE INSPEÇÃO, MANUTENÇÃO E LIMPEZA!



EFETUE TRABALHOS DE CUIDADO E MANUTENÇÃO APENAS DE ACORDO COM ESTAS INSTRUÇÕES! TODOS OS TRABALHOS SUPLEMENTARES DEVEM SER REALIZADOS POR UM ESPECIALISTA QUALIFICADO!

1. Mantenha a máquina limpa. Remova os detritos do produto após cada utilização e antes de o armazenar.
2. Uma limpeza regular e adequada ajuda a assegurar uma utilização segura e a prolongar o tempo de vida útil do aparelho.
3. Inspeccione a máquina antes de cada utilização quanto a desgaste e peças danificadas. Não o utilize se encontrar peças partidas ou desgastadas.



AVISO! EFETUE REPARAÇÕES E TRABALHOS DE MANUTENÇÃO APENAS DE ACORDO COM ESTAS INSTRUÇÕES! TODOS OS TRABALHOS SUPLEMENTARES DEVEM SER REALIZADOS POR UM ESPECIALISTA QUALIFICADO!

Limpeza geral

1. Limpe a máquina com um pano húmido e sabão com pH neutro. Utilize uma escova para áreas de difícil alcance.
2. Em particular, limpe os interruptores e os respiradouros após cada utilização com um pano e uma escova.
3. Elimine a sujidade persistente com ar sob pressão (máx. 3 bar).



NOTA: Não utilize produtos químicos, alcalinos, abrasivos ou outros detergentes agressivos ou desinfetantes para limpar este produto, uma vez que podem ser prejudiciais para as superfícies do mesmo.

4. Verifique se existem danos e desgaste. Repare os danos de acordo com este manual de instruções ou leve a máquina a um centro de assistência autorizado antes de a utilizar novamente.

Peças sobresselentes / de substituição

As seguintes peças deste produto podem ser substituídas pelo consumidor. As peças sobresselentes estão disponíveis num concessionário autorizado ou através do nosso serviço de atendimento ao cliente.

Descrição	Referência
Recipiente de recolha de relva (7)	199011000059 / 199011000065
Lâmina de corte (22)	201045000459
Bateria (24)	MDVB36-4 / TTB812BAT / MCT1239BAT / TTT1240BAT
Carregador (25)	MFC36 / TTB815CHR / MCB1241CHR / TTB1242CHR

Manutenção

Antes e depois de cada utilização, verifique se a máquina (ou acessórios) apresenta desgaste e danos. Se necessário, substitua-os por novos conforme descrito neste manual de instruções. Respeite os requisitos técnicos.

Parte inferior e lâmina de corte



AVISO! UTILIZE LUVAS DE SEGURANÇA AO TRABALHAR NA LÂMINA DE CORTE (22)! UTILIZE INSTRUMENTOS ADEQUADOS PARA REMOVER DETRITOS, COMO UM PAU OU UMA ESCOVA MANUAL. NUNCA MANUSEIE O PRODUTO COM AS MÃOS DESPROTEGIDAS.



UTILIZE SEMPRE PEÇAS SOBRESSALENTES ORIGINAIS PARA SUBSTITUIÇÃO. A LÂMINA DE CORTE TEM DE SER SUBSTITUÍDA POR UMA IDENTIFICADA COM A REFERÊNCIA A022050-025. NÃO ENCAIXE QUALQUER OUTRO TIPO DE LÂMINA DE CORTE.



A SUBSTITUIÇÃO DA LÂMINA DE CORTE DEVE SER FEITA POR UM ESPECIALISTA QUALIFICADO! NÃO É RECOMENDADO REFAZER OU AFIAR AS LÂMINAS, A NÃO SER QUE ESTE PROCESSO SEJA REALIZADO POR UM SERVIÇO DE REPARAÇÃO OU UM ESPECIALISTA IGUALMENTE QUALIFICADO!

1. Mantenha a parte inferior e a lâmina de corte (22) limpas e sem detritos. Remova a relva cortada da conduta de descarga traseira (21).
2. Verifique periodicamente todos os fixadores, como parafusos e porcas, quanto a aperto antes do funcionamento. Após uma utilização prolongada, especialmente em condições de solo arenoso, a lâmina de corte fica gasta e perde parcialmente a forma original. A eficácia do corte fica reduzida e a lâmina de corte deve ser substituída.
3. Mantenha a lâmina de corte (22) afiada para garantir um bom desempenho de corte. Substitua a lâmina de corte gasta ou danificada por uma nova do mesmo tipo, ou solicite o afiamento a um especialista qualificado.
4. Desaperte o parafuso de fixação (22c) para a esquerda com uma chave de impacto elétrica adequada (tamanho da chave de 13 mm) (Fig. 20) e retire-o juntamente com a anilha plana (22b) e a lâmina de corte (22).

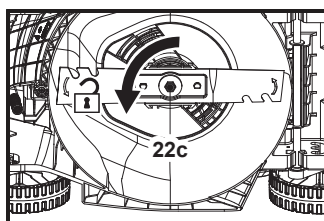


Fig. 20



NOTA: Se, em vez de uma chave de impacto elétrica, for utilizada uma chave de ferramentas manual ou uma chave inglesa, a lâmina de corte (22) deve ser impedida de rodar enquanto desaperta o parafuso. Use luvas resistentes e segure a lâmina com firmeza. Use uma peça de madeira com um tamanho adequado para bloquear a rotação da lâmina, se necessário (Fig. 21).

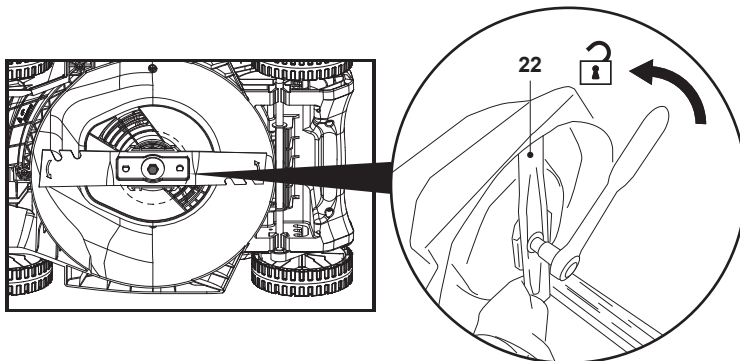


Fig. 21

5. Substitua a lâmina de corte (22) por uma nova do mesmo tipo. Verifique primeiro o estado do suporte da lâmina (22a) no fuso e, em seguida, fixe a lâmina de corte (22) no suporte da lâmina (22a), alinhando-a com os padrões no suporte da lâmina (22a), fixe o conjunto com a anilha plana (22b) e o parafuso de fixação (22c) e aperte manualmente.
6. Segure firmemente a lâmina de corte (22) com uma mão protegida com uma luva resistente e/ou com um pau de madeira e aperte o parafuso de fixação (22c) para a direita com um binário mínimo de 25 Nm e máximo de 30 Nm para garantir um funcionamento seguro da máquina (Fig. 22).

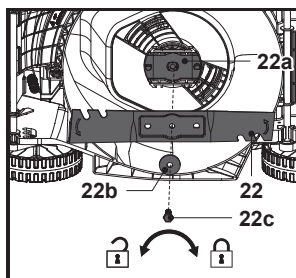


Fig. 22



AVISO! ANTES DE CADA UTILIZAÇÃO, CERTIFIQUE-SE DE QUE A LÂMINA DE CORTE (22) E TODAS AS PEÇAS DE FIXAÇÃO ESTÃO INSTALADAS CORRETAMENTE E APERTADAS EM SEGURANÇA.

UTILIZE APENAS UM PARAFUSO DE FIXAÇÃO (22C) SOBRESSELENTE ORIGINAL PARA A SUBSTITUIÇÃO.

7. Substitua a lâmina de corte (22) após 50 horas de corte de relva ou ao fim de 2 anos, consoante o que ocorrer primeiro, independentemente do estado em que se encontre. Se a lâmina de corte (22) estiver rachada ou danificada, substitua-a imediatamente por uma nova.
8. Lubrifique a lâmina de corte (22) após cada utilização, para prolongar a vida útil da lâmina de corte (22) e da máquina. Aplique óleo de máquinas leve ao longo da aresta da lâmina de corte (22).

Recipiente de recolha de relva

1. Inspeccione o recipiente de recolha de relva (7) antes de cada utilização. Não o utilize se encontrar quaisquer danos.
2. Limpe o recipiente de recolha de relva (7) após o funcionamento, com água e sabão suave.
3. Deixe o recipiente de recolha de relva (7) secar completamente antes de o guardar, para evitar a formação de bolor.

Cabo de controlo

Verifique o cabo de controlo (20) antes de cada utilização.



AVISO! NÃO UTILIZE A MÁQUINA COM UM CABO DE CONTROLO (20) COM DEFEITO OU SOLTO!

Reparação

Esta máquina não contém peças que possam ser reparadas pelo consumidor. Contacte um centro de assistência autorizado ou uma pessoa devidamente qualificada para solicitar a respetiva verificação e reparação.

Armazenamento

1. Desligue a máquina e remova a bateria (24) antes de a armazenar.
2. Limpe a máquina conforme descrito acima.
3. Guarde a máquina e respetivos acessórios num local escuro, seco, sem gelo e bem ventilado.
4. Guarde sempre a máquina num lugar inacessível para crianças. A temperatura ideal de armazenamento situa-se entre os 10 °C e os 30 °C.
5. Recomendamos usar a embalagem original para armazenamento ou tapar o corta-relva (sem a bateria) com um pano ou cobertura adequada para o proteger contra o pó.
6. Carregue a bateria até alcançar três barras no indicador luminoso antes de a guardar.
7. A(s) pega(s) pode(m) ser totalmente dobrada(s) para arrumação:
 - Retire o recipiente de recolha de relva (7)/encaixe do triturador (23).
 - Coloque a alavanca de ajuste da altura de corte (12) na posição mais baixa.
 - Desaperte as duas alavancas de aperto (8) e, em seguida, dobre completamente o conjunto da pega (Fig. 23, passos 1, 2).
 - Fixe as ligações bloqueando as duas alavancas de aperto (8) e certifique-se de que o triângulo de indicação (6b) está alinhado com o indicador de estacionamento (9a) para evitar a dispersão (Fig. 23, passo 3).
 - Guarde o corta-relva numa posição plana ou na vertical (Fig. 24).

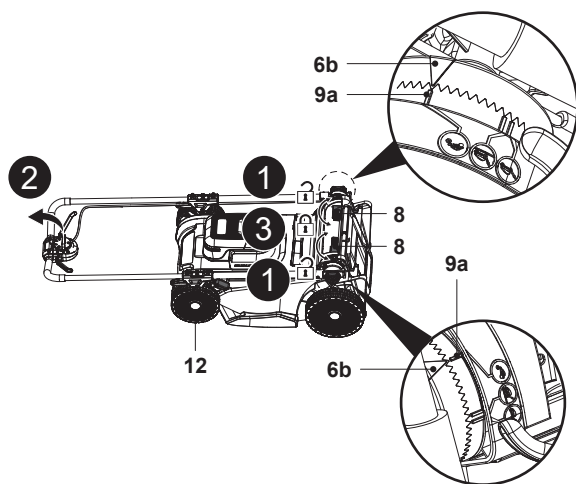


Fig. 23

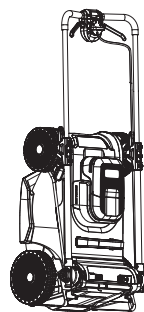


Fig. 24

8. Recomenda-se que guarde o corta-relva com o recipiente de recolha de relva (7) fixo ao corta-relva e o encaixe do triturador (23) instalado no corta-relva (Fig. 25).

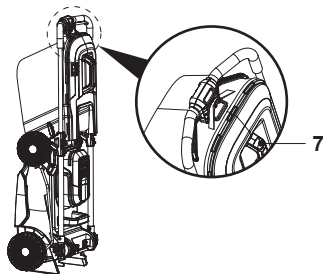


Fig. 25

9. Para poupar espaço, também pode abrir as duas alavancas de bloqueio (5) e inserir por completo a pega superior até parar, fixar as ligações (5, 8) e assegurar-se de que o triângulo de indicação (6b) está alinhado com o indicador de estacionamento (9a) para evitar a dispersão (Fig. 26).
10. Guarde o corta-relva numa posição plana ou na vertical (Fig. 27).

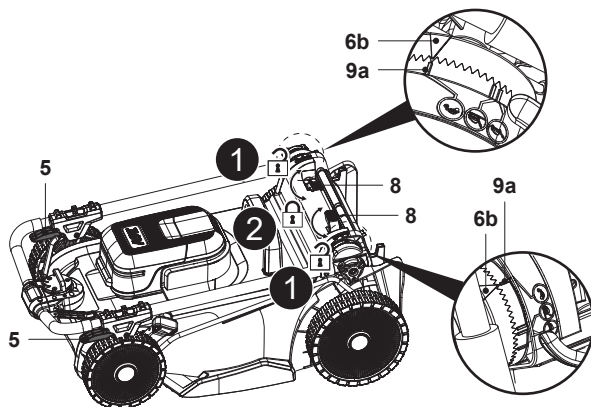


Fig. 26

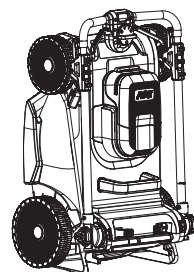


Fig. 27

Transporte

1. Desligue a máquina e remova a bateria (24) antes de a transportar para qualquer lugar.
2. Se aplicável, fixe proteções de transporte.
3. Transporte sempre a máquina pelas pegas de transporte (14, 17).
4. Proteja a máquina contra qualquer impacto intenso ou vibrações fortes que possam ocorrer durante o transporte em veículos.
5. Fixe a máquina para evitar que deslize ou tombe ou que cause danos ou ferimentos.

Resolução de problemas

As suspeitas de avaria devem-se, frequentemente, a causas que os próprios utilizadores podem resolver. Por esse motivo, verifique o produto utilizando esta secção. Na maioria dos casos, o problema pode ser resolvido rapidamente.



AVISO! EXECUTE APENAS OS PASSOS DESCRITOS NESTAS INSTRUÇÕES. TODAS AS OUTRAS TAREFAS DE INSPEÇÃO, MANUTENÇÃO E REPARAÇÃO TÊM DE SER EFETUADAS POR UM CENTRO DE ASSISTÊNCIA AUTORIZADO OU UM ESPECIALISTA IGUALMENTE QUALIFICADO CASO NÃO CONSIGA RESOLVER O PROBLEMA SEM ASSISTÊNCIA!

Problema	Causa possível	Solução
1. O produto não liga	1.1. A bateria não está colocada corretamente	1.1. Fixe adequadamente
	1.2. Bateria descarregada	1.2. Remova e carregue a bateria
	1.3. A bateria está quente	1.3. Retire e deixe arrefecer
	1.4. Bateria danificada	1.4. Consulte um eletricista qualificado
	1.5. Métodos incorretos para ligar o produto	1.5. Prima o botão do interruptor de segurança, mantenha-o nessa posição e, em seguida, puxe a alavanca de arranque para ligar o produto
	1.6. Outro defeito elétrico do produto	1.6. Consulte um eletricista qualificado
2. O produto não atinge a potência total	2.1. A capacidade da bateria é demasiado baixa	2.1. Carregue a bateria
	2.2. Os respiradouros estão entupidos	2.2. Limpe os respiradouros
3. Resultado de corte insatisfatório	3.1. A lâmina de corte está gasta / danificada	3.1. Substitua por uma nova
	3.2. O material de corte excede a capacidade	3.2. Corte apenas materiais de acordo com a capacidade do produto.
	3.3. Altura de corte incorreta	3.3. Ajuste a altura de corte
4. O produto para repentinamente	4.1. Bateria descarregada	4.1. Remova e carregue a bateria
	4.2. A bateria está demasiado quente	4.2. Retire a bateria e deixe-a arrefecer
	4.3. Lâmina de corte bloqueada	4.3. Remova o bloqueio
5. Vibrações ou ruído excessivos	5.1. A lâmina de corte está gasta / danificada	5.1. Substitua por uma nova
	5.2. O material de corte excede a capacidade	5.2. Corte apenas materiais de acordo com a capacidade do produto
	5.3. Altura de corte incorreta	5.3. Ajuste a altura de corte
	5.4. Os parafusos / porcas estão soltos	5.4. Aperte os parafusos / porcas

Reciclagem e eliminação



Este símbolo é conhecido como o "símbolo do caixote do lixo com uma cruz por cima".

Quando este símbolo está marcado num produto ou pilha, significa que não devem ser eliminados juntamente com os resíduos domésticos comuns.

Alguns produtos químicos contidos em produtos elétricos/eletrónicos ou pilhas podem ser prejudiciais para a saúde e para o ambiente.

Elimine itens elétricos/eletrónicos/pilhas apenas em sistemas de recolha seletiva direcionados para a recuperação e reciclagem dos materiais no seu interior.

A sua cooperação é essencial para garantir o sucesso destes sistemas e para a proteção do ambiente.

O produto é fornecido com uma embalagem que o protege contra danos durante o envio. Conserve a embalagem até ter a certeza de que todas as peças foram fornecidas e que o produto funciona corretamente. Depois, recicle a embalagem.

Eliminação de uma bateria totalmente descarregada



A bateria é do tipo de íões de lítio. Para preservar os recursos naturais, recicle ou elimine a bateria corretamente. Consulte a autoridade local de eliminação de resíduos para obter informações sobre as opções de reciclagem e/ou eliminação disponíveis.

Descarregue a bateria utilizando a máquina e, em seguida, retire as baterias da máquina e cubra as ligações da bateria com fita adesiva de alta resistência para evitar qualquer curto-circuito e descarga de energia.

Não tente abrir nem retirar qualquer um dos componentes.

Garantia

Empenhamo-nos especialmente na seleção cuidadosa de materiais de elevada qualidade e utilizamos técnicas de fabrico que nos permitem criar produtos que incorporam design e durabilidade. Este produto tem uma garantia do fabricante de 2 anos contra defeitos de fabrico, a partir da data de compra (se comprado na loja) ou data de entrega (se comprado online), sem custo adicional para uso doméstico normal (não profissional ou comercial).

Para apresentar uma reclamação ao abrigo desta garantia, é necessário apresentar a prova de compra (tal como um recibo, uma fatura de compra ou outra prova admissível em conformidade com a lei em vigor). Mantenha o comprovativo de compra num lugar seguro. Para esta garantia se aplicar, o produto comprado tem de ser novo; não se aplica a produtos em segunda mão ou a produtos de exibição. Salvo disposição em contrário na lei em vigor, a garantia de qualquer produto de substituição expira no final do período da garantia do produto original.

Esta garantia cobre defeitos e falhas de produto, desde que o produto tenha sido utilizado para o fim a que se destina e tenha sido sujeito à instalação, limpeza, manutenção e a cuidados de acordo com as informações contidas nestes termos e condições, no manual do utilizador e na prática padrão, desde que a mesma não contrarie o manual de utilizador.

Esta garantia não cobre defeitos e danos causados pelo desgaste normal, nem danos que possam resultar de utilização indevida, instalação ou montagem incorreta, negligência, acidentes, utilizações indevidas ou modificações do produto. Salvo disposição em contrário na lei em vigor, esta garantia não abrange, em caso algum, custos auxiliares (expedição, deslocação, custos de desinstalação e reinstalação, mão-de-obra, etc), ou danos diretos e indiretos.

Esta garantia não cobre defeitos causados ou como resultado de:

- Uso e desgaste normal
- Negligência, uso incorreto ou excessivo
- Tentativas de reparação efetuadas por pessoas que não sejam um agente autorizado
- Danos estéticos
- Danos causados por objetos ou substâncias estranhas ou acidentes.
- Danos acidentais ou modificação
- Incumprimento das diretrizes do fabricante
- Perda dos bens

Se o produto apresentar algum defeito, iremos, dentro de um prazo razoável, reparar, substituir, reembolsar, prestar serviço ou peças sobressalentes.

Os direitos no âmbito desta garantia têm força executiva no país onde adquiriu este produto. As questões relativas à garantia devem ser esclarecidas na loja onde adquiriu o produto. A garantia complementa e não afeta os seus direitos legais.

Se adquiriu este produto em Portugal - o distribuidor é responsável por quaisquer defeitos de conformidade do produto de acordo com os termos da lei relativa a garantias (Decreto-Lei N.º 67/2003), aditada pelo Decreto-Lei N.º 84/2008.

IMPORTANTE – CONSERVE ESTE MANUAL PARA FUTURAS CONSULTAS: LEIA ATENTAMENTE



(EN) EU DECLARATION OF CONFORMITY
(FR) DÉCLARATION UE DE CONFORMITÉ
(PL) DEKLARACJA ZGODNOŚCI UE
(RO) DECLARAȚIA DE CONFORMITATE UE
(ES) DECLARACIÓN UE DE CONFORMIDAD
(PT) DECLARAÇÃO DE CONFORMIDADE UE

Product/Produit/Produkt/Produsul/Producto/Produto

- Cordless lawnmower 36 V 38 cm / Tondeuse à gazon 36 V 38 cm / Kosiarka akumulatorowa 36 V 38 cm / Mașină de tuns iarba, fără fir 36 V 38 cm / Cortacésped 36 V 38 cm / Corta-relva sem fios 36 V 38 cm
- MCT1191LWM / TTT1192LWM, 38 cm
- SN: 000001 to 999999

Name and address of the manufacturer or his authorised representative:

Nom et adresse du fabricant ou de son mandataire:

Nazwa i adres producenta lub jego upoważnionego przedstawiciela:

Denumirea și adresa producătorului sau a reprezentantului său autorizat:

Nombre y dirección del fabricante o de su representante autorizado:

Nome e endereço do fabricante ou do respetivo mandatário:

Kingfisher International Products B.V.,
Rapenburgerstraat 175E,
1011 VM Amsterdam,
The Netherlands

This declaration of conformity is issued under the sole responsibility of the manufacturer.

La présente déclaration de conformité est établie sous la seule responsabilité du fabricant.

Niniejsza deklaracja zgodności wydana zostaje na wyłączną odpowiedzialność producenta.

Prezenta declarație de conformitate este emisă pe răspunderea exclusivă a producătorului.

La presente declaración de conformidad se expide bajo la exclusiva responsabilidad del fabricante.

A presente declaração de conformidade é emitida sob a exclusiva responsabilidade do fabricante.

Object of the declaration/Objet de la declaration/Przedmiot deklaracji/Obiectul declarației/Objeto de la declaración/Objeto da declaração

Product/Produit/Produkt/Produsul/Producto/Produto	Model/Modèle/Model/Modelul/Modelo/ Modelo	EAN
Cordless lawnmower 36 V 38 cm / Tondeuse à gazon 36 V 38 cm / Kosiarka akumulatorowa 36 V 38 cm / Mașină de tuns iarba, fără fir 36 V 38 cm / Cortacésped 36 V 38 cm / Corta-relva sem fios 36 V 38 cm	MCT1191LWM TTT1192LWM	5063022637161 5063022636959 5063022638076 5063022637727 5063022637062 5063022637567

The object of the declaration described above is in conformity with the relevant Union harmonisation legislation:

L'objet de la déclaration décrit ci-dessus est conforme à la législation d'harmonisation de l'Union applicable:

Wymieniony powyżej przedmiot niniejszej deklaracji jest zgodny z odnośnymi wymaganiami unijnego prawodawstwa harmonizacyjnego:

Obiectul declarației descris mai sus este în conformitate cu legislația relevantă de armonizare a Uniunii:

El objeto de la declaración descrita anteriormente es conforme con la legislación de armonización pertinente de la Unión:

O objeto da declaração acima descrito está em conformidade com a legislação de harmonização da União aplicável:

2006/42/EC as amended Machinery Directive
 2014/30/EU as amended Directive Electromagnetic compatibility
 2000/14/EC as amended Outdoor Noise Directive
 2011/65/EU as amended Directive on the restriction of the use of certain hazardous substances in electrical and electronic equipment
 Directive 2006/42/CE relative aux machines
 2014/30 / UE telle que modifiée Directive Compatibilité électromagnétique
 Directive 2000/14/CE relative aux émissions sonores extérieures
 Directive 2011/65/UE relative à la limitation de l'utilisation de certaines substances dangereuses dans les équipements électriques et électroniques
 2006/42/WE w zmienionej dyrektywie maszynowej
 2014/30 / UE ze zmianami Dyrektywa Kompatybilność elektromagnetyczna
 2000/14/WE w zmienionej dyrektywie w sprawie hałasu na zewnątrz
 2011/65/UE zgodnie z wprowadzonymi poprawkami Dyrektywa w sprawie ograniczenia stosowania niektórych niebezpiecznych substancji w sprzęcie elektrycznym i elektronicznym
 2006/42/CE, astfel a fost modificată Directiva privind echipamentele
 2014/30/UE, astfel a fost modificată Directiva privind compatibilitatea electromagnetică
 2000/14/CE, astfel a fost modificată Directiva privind zgomotul în aer liber
 2011/65/UE cum a fost modificată Directiva Restricțiile de utilizare a anumitor substanțe periculoase în echipamentele electrice și electronice
 Directiva sobre maquinaria modificada 2006/42/CE
 2014/30/UE modificada Directiva Compatibilidad electromagnética
 2000/14/CE modificada Directiva sobre ruido al aire libre
 2011/65/UE según enmendado Directiva sobre restricciones a la utilización de determinadas sustancias peligrosas en aparatos eléctricos y electrónicos
 2006/42/CE como diretiva de máquinas alteradas
 2014/30/UE como alteração da compatibilidade eletromagnética
 2000/14/CE como diretiva de ruído exterior alterada
 2011/65/UE conforme alterado Directiva Restrição do uso de determinadas substâncias perigosas em equipamentos eléctricos e electrónicos

Measured Sound Power Level

Le niveau de puissance acoustique mesuré

Zmierzony poziom mocy akustycznej

Nivel de putere acustică măsurat

Nivel de potencia sonora medido

Nível de potência sonora medido

: 86.92 dB(A)

Guaranteed Sound Power Level

Le niveau de puissance acoustique garant

Gwarantowany poziom mocy akustycznej

Nivel de putere acustică garantat

Nivel de potencia sonora garantizado

Nível de potência sonora garantido

: 88 dB(A)

TÜV Rheinland LGA Products GmbH, Tillystraße 2 - 90431 Nürnberg, Germany (No.0197) performed EC-Type Examination according to Outdoor Noise Directive 2000/14/EC Annex VI. EC Type Approval No: JO 60182474 0001.

TÜV Rheinland LGA Products GmbH, Tillystraße 2 - 90431 Nürnberg, Germany (No.0197) a effectué l'examen CE de type conformément à l'annexe VI de la directive 2000/14/CE sur le bruit extérieur. Approbation de type CE Non : JO 60182474 0001.

TÜV Rheinland LGA Products GmbH, Tillystraße 2 - 90431 Nürnberg, Germany (No.0197) przeprowadził badanie typu WE zgodnie z dyrektywą w sprawie hałasu zewnętrznego 2000/14/WE załącznik VI. Homologacja typu WE nr: JO 60182474 0001.

TÜV Rheinland LGA Products GmbH, Tillystraße 2 - 90431 Nürnberg, Germany (No.0197) a efectuat examinarea CE de tip în conformitate cu Directiva privind zgomotul exterior 2000/14/CE anexa VI. Nr. omologare CE de tip: JO 60182474 0001.

TÜV Rheinland LGA Products GmbH, Tillystraße 2 - 90431 Nürnberg, Germany (No.0197) realizó el examen CE de tipo de acuerdo con la Directiva de ruido exterior 2000/14/CE Anexo VI. No de homologación de tipo CE: JO 60182474 0001.

TÜV Rheinland LGA Products GmbH, Tillystraße 2 - 90431 Nürnberg, Germany (No.0197) realizou o Exame CE do Tipo de acordo com o Anexo VI da Diretiva 2000/14/CE relativa ao ruído exterior. Aprovação do tipo CE Não: JO 60182474 0001.

References to the relevant harmonised standards used or references to the other technical specifications in relation to which conformity is declared:

Références des normes harmonisées pertinentes appliquées, y compris la date de celles-ci, ou des autres spécifications techniques, y compris la date de celles-ci, par rapport auxquelles la conformité est déclarée:

Odwołania do odnośnych norm zharmonizowanych, które zastosowano, wraz z datą normy, lub do innych specyfikacji technicznych, wraz z datą specyfikacji, w odniesieniu do których deklarowana jest zgodność:

Trimiteri la standardele armonizate relevante folosite, inclusiv data standardului, sau trimiteri la celelalte specificații tehnice, inclusiv data specificațiilor, în legătură cu care se declară conformitatea:

Referencias a las normas armonizadas pertinentes utilizadas, incluidas las fechas de las normas, o referencias a las otras especificaciones técnicas, incluidas las fechas de las especificaciones, respecto a las cuales se declara la conformidad:

Referências às normas harmonizadas aplicáveis utilizadas, incluindo a data da norma, ou às outras especificações técnicas, incluindo a data da especificação, em relação às quais é declarada a conformidade:

EN 62841-1: 2015 + A11: 2022

EN IEC 62841-4-3: 2021 + A11: 2021

EN IEC 61000-3-2: 2019 + A1: 2021

EN 61000-3-3: 2013 + A1: 2019 + A2: 2021

EN IEC 55014-1: 2021

EN IEC 55014-2: 2021

EN IEC 63000: 2018

Authorised signatory and technical file holder / signataire et responsable de la documentation technique autorisé / podmiot uprawniony do wystawienia i adres prezechowywania dokumentacji technicznej / semnatar autorizat și deținător al dosarului tehnic / firmante autorizado y titular del expediente técnico / signatário autorizado e detentor da ficha técnica

Kingfisher International Products B.V.,
Rapenburgerstraat 175E,
1011 VM Amsterdam,
The Netherlands



David Awe
Group Quality Director
Directeur Qualité Groupe
Dyrektor ds. Jakości Grupy
Director Calitate Grup
Director de Calidad del Grupo
Diretor de Qualidade do Grupo

: [09/07/2025]

Fabricante:

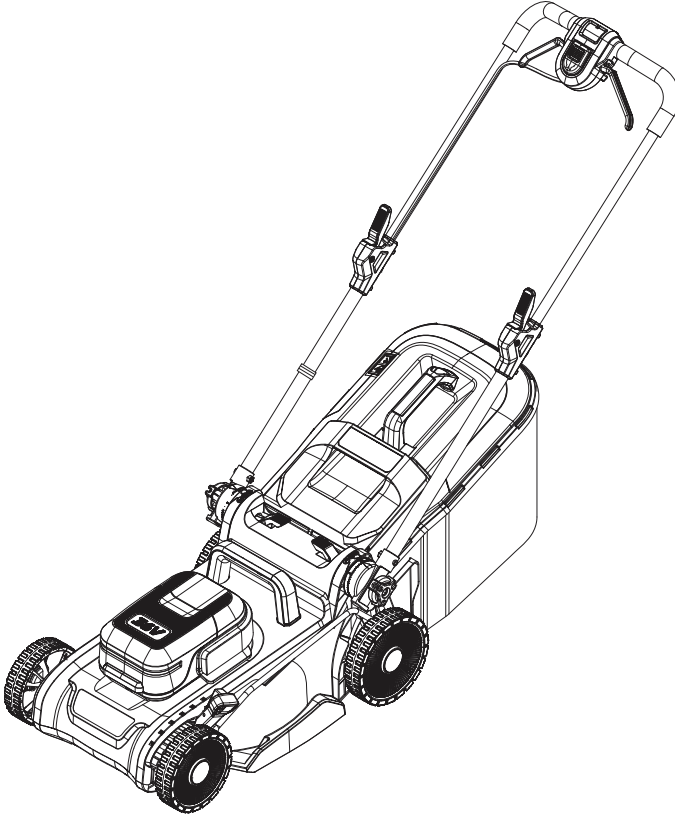
EU Manufacturer:

Kingfisher International Products B.V.,
Rapenburgerstraat 175E,
1011 VM Amsterdam,
The Netherlands

PT www.bricodepot.pt

**Para consultar manuais de instruções online,
visite www.kingfisher.com/products**

TR 36 V 38 cm Çim biçme makinesi



TR ORJİNAL TALİMATLAR

ÖNEMLİ - Bu talimatlar sizin güvenliğiniz içindir. Ürün üzerinde çalışmaya başlamadan önce lütfen bu talimatları dikkatlice okuyun ve ileride başvurmak üzere saklayın.



V10925_5063022637161_MAND4_2425_RP0506D

MCT1191LWM

5063022637161

5063022636959

5063022638076

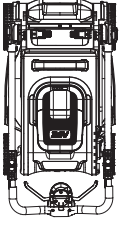
TTT1192LWM

5063022637727

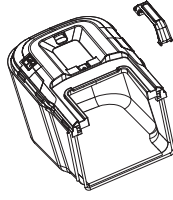
5063022637062

5063022637567

TR Parçalar



01. x1



02. x1



03. x1



04. x1

TR İhtiyaç duyacaklarınız



x1

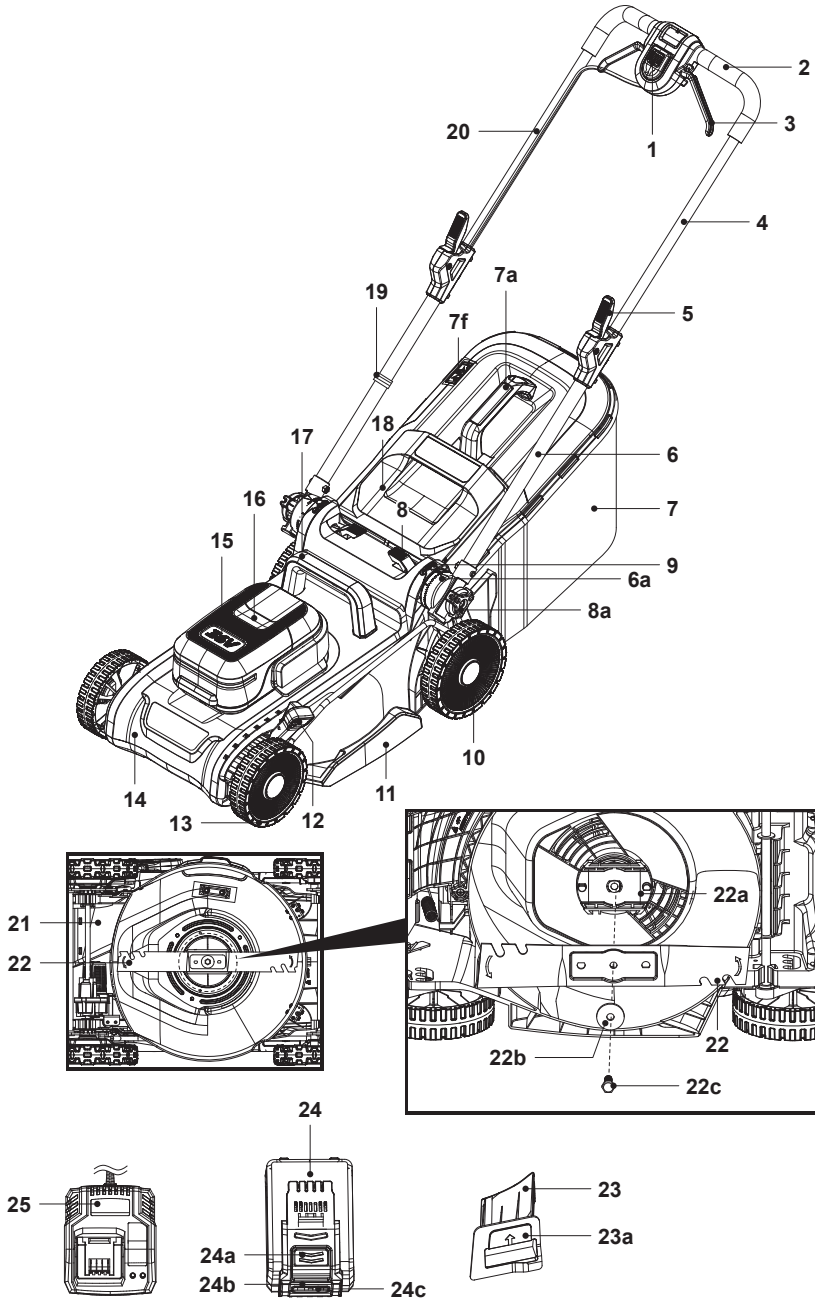
(tedarik edilmeyen öğeler)

- Uygun kişisel koruyucu ekipman
- Uygun anahtar
- Uygun yağlama yağı
- EAN 5063022638076 ve 5063022637567 için akü grubu (24)
- EAN 5063022638076 ve 5063022637567 için şarj cihazı (25)

TR İçindekiler

TR	
Ürün açıklaması	3
Güvenlik	5
Hazırlık	21
Montaj	22
İşlevler ve Ayarlar	26
Kullanım	30
Bakım ve muhafaza	34
Garanti	40
Uygunluk beyanı	42

TR Ürün açıklaması



1. Güvenlik anahtarı düğmesi
2. Tutma kolu
3. Çalıştırma kolu (x2)
4. Üst gidon
5. Kilitleme kolu (x2)
6. Alt gidon (x2)
 - a. Kadran
 - b. Gösterge üçgeni*
7. Çim toplama haznesi
 - a. Taşıma kolu
 - b. Kauçuk klips* (x3)
 - c. Destek çubuğu*
 - d. Toplama haznesi kancası* (x2)
 - e. Arka tutma yeri*
 - f. Kapak
8. Kelepçe kolu (x2)
 - a. Kilitleme topuzu
9. Tutma yeri desteği (x2)
 - a. Park göstergesi*
 - b. Yüksek tutma yeri yüksekliği göstergesi*
 - c. Düşük tutma yeri yüksekliği göstergesi*
10. Arka tekerlek (x2)
11. Kesme bıçağı bölmesi
12. Kesme yüksekliği ayar kolu
 - a. Kilitleme düğmesi*
13. Ön tekerlek (x2)
14. Ön taşıma sapı
15. Akü bölmesi kapağı
 - a. Elektrik kontakları*
 - b. Kayar yuvalar* (x2)
 - c. Manyetik kapak*
16. Motor kapağı
 - a. Akü ekranı*
 - b. Havalandırma delikleri*
17. Taşıma sapı
18. Arka deflektör koruması
19. Kablo klipsi (x2, x1 önceden monte edilmiş)
20. Kontrol kablosu
21. Arka tahliye kanalı
 - a. Yuva* (x2)
22. Kesme bıçağı
 - a. Bıçak tutucu
 - b. Düz rondela
 - c. Montaj civatası
23. Malçlama parçası
 - a. Girintili tutma yeri
24. Akü grubu
 - a. Serbest bırakma düğmesi
 - b. Akü kapasitesi düğmesi
 - c. Akü kapasitesi göstergeleri
25. Şarj cihazı



NOT: * ile işaretlenen parçalar bu genel bakışta gösterilmemektedir. Lütfen kullanım kılavuzunun ilgili kısmına başvurun.



NOT: EAN 5063022638076 ve 5063022637567 için akü grubu (24) ve şarj cihazları (25) tedarik kapsamına dahil değildir. Bunları ayrı olarak satın almanız gerekir.



Genel makine güvenlik uyarıları



UYARI! BU MAKİNEYLE BİRLİKTE VERİLEN TM GVENLİK UYARILARINI, TALİMATLARI, ÇİZİMLERİ VE TEKNİK ÖZELLİKLERİ OKUYUN. AŞAĞIDAKİ TM TALİMATLARIN DİKKATE ALINMAMASI ELEKTRİK ÇARPMASI, YANGIN VE/VEYA CİDDİ YARALANMALARA SEBEP OLABİLİR.

TM UYARILARI VE TALİMATLARI İLERİDE BAŞVURMAK ZERE SAKLAYIN.

UYARILARDAKİ "MAKİNE" İFADESİ İLE ŞEBEKEDEN BESLENEN (KABLOLU) VEYA AKYLE ÇALIŞAN (KABLOSUZ) MAKİNENİZ KASTEDİLMEKTEDİR.

Çalışma alanı güvenliđi

- **Çalışma alanının temiz ve aydınlık olmasını sağlayın.** Dađınık veya karanlık alanlar kazalara yol aar.
- **Makineleri yanıcı sıvı, gaz veya toz bulunan yerler gibi patlayıcı ortamlarda çalıştırmayın.** Makineler, tozların veya dumanların alev almasına sebep olabilecek kıvılcımlar oluşturur.
- **Makineyle çalışırken çocukları ve işi olmayan kişileri uzak tutun.** Dikkatinizin dađılması kontrol kaybetmenize sebep olabilir.

Elektrik güvenliđi

- **Makinelerin fişleri prize uygun olmalıdır. Fişte asla herhangi bir şekilde deđişiklik yapmayın. Herhangi bir adaptr fişini topraklanmış makinelerde kullanmayın.** zerinde deđişiklik yapılmamış fişler ve uygun prizler elektrik arpması riskini azaltır.

- **Borular, radyatörler, fırın ve ocaklar veya buzdolapları gibi topraklanmış yüzeylerle vücut temasından kaçınınız.** Vücudunuzun topraklanmış olması durumunda ciddi bir elektrik çarpması riski bulunur.
- **Elektrikli aletleri yağmura veya ıslak ortamlara maruz bırakmayınız.** Bir elektrikli alete su girmesi elektrik çarpması riskini artırır.
- **Kabloyu uygunsuz şekilde kullanmayınız. Kabloyu asla taşıma, çekme veya makineyi fişten çıkarma amacıyla kullanmayınız. Kabloyu sıcak, yağ, keskin uçlar veya hareketli parçalardan uzak tutunuz.** Hasar görmüş veya dolanmış kablolar elektrik çarpması riskini artırır.
- **Makineyi dış mekanlarda çalıştırırken dış mekan kullanımına uygun bir uzatma kablosu kullanınız.** Dış mekan kullanımına uygun bir kablonun kullanılması elektrik çarpması riskini azaltır.
- **Makinenin nemli alanda kullanılması kaçınılmazsa kaçak akım rölesi (RCD) korumalı bir güç kaynağı kullanınız.** Kaçak akım rölesi kullanmak elektrik çarpması riskini azaltır.

Kişisel güvenlik

- **Makine kullanırken dikkatli olun, ne yaptığınıza dikkat edin ve sağduyulu olun. Yorgunsanız veya uyuşturucu, alkol ya da ilaç etkisi altındaysanız makineyi kullanmayınız.** Makineleri çalıştırırken dikkatinizin bir an dahi dağılması ciddi kişisel yaralanmalara sebep olabilir.
- **Kişisel koruyucu ekipman kullanınız. Daima koruyucu gözlük takınız.** Uygun koşullar için kullanılan toz maskesi, kaymayan emniyet ayakkabıları, kask veya koruyucu kulaklık gibi koruyucu donanımlar fiziksel yaralanmaları azaltır.
- **Kazara çalışmaları önleyiniz. Makineyi güç kaynağına ve/veya akü grubuna bağlamadan, kaldırmadan veya taşımadan önce anahtarın kapalı konumda olduğundan emin olun.** Makinelerin parmağınız anahtarın üzerindeyken taşınması veya anahtarı açık konumdaki makinelere enerji verilmesi kazalara neden olabilir.
- **Makineyi çalıştırmadan önce tüm ayar anahtarlarını veya anahtarları çıkarınız.** Makinenin hareketli parçasına takılı kalan bir ayar anahtarı veya anahtar kişisel yaralanmalara neden olabilir.

- **Fazla uzanmaya çalışmayın. Zemine her zaman sağlam ve dengeli basın.** Bu, beklenmeyen durumlarda makinenin daha iyi kontrol edilmesini sağlar.
- **Uygun bir şekilde giyinin. Bol kıyafetler giymeyin ve takı takmayın. Saçlarınızı ve giysilerinizi hareketli parçalardan uzak tutun.** Bol kıyafetler, takılar veya uzun saçlar hareketli parçalara takılabilir.
- **Toz giderici ve toplayıcı ekipmanların bağlantısı için cihazlar temin edildiye bu cihazların bağlandığından ve uygun şekilde kullanıldığından emin olun.** Toz toplayıcının kullanılması tozla ilgili tehlikelerin azaltılmasını sağlar.
- **Makinelerin sık kullanılmasından elde edilen alışkanlığın, rahat olmanıza ve makine güvenlik ilkelerini yok saymanıza yol açmasına izin vermeyin.** Dikkatsiz bir eylem, bir saniyeden kısa bir süre içinde ciddi yaralanmalara neden olabilir.

Makinenin kullanımı ve bakımı

- **Makineyi zorlamayın. Uygulamanız için doğru makineyi kullanın.** Doğru makinenin kullanılması, aletin yapmak üzere tasarlandığı işin daha iyi ve güvenli şekilde yürütülmesini sağlar.
- **Anahtar makineyi açıp kapatmıyorsa makineyi kullanmayın.** Anahtarla kontrol edilemeyen makineler tehlikelidir ve onarılmalıdır.
- **Herhangi bir ayarlama yapmadan, aksesuarları değiştirmeden veya makineyi depolamadan önce fişin güç kaynağıyla bağlantısını kesin ve/veya akü grubunu makineden (ayrılabiliriyorsa) çıkarın.** Bu tür önleyici güvenlik önlemleri, makinenin kazara çalıştırılması riskini azaltır.
- **Kullanılmayan makineleri çocukların ulaşamayacağı bir yerde depolayın ve makineye veya bu talimatlara dair bilgi sahibi olmayan kişilerin makineyi çalıştırmasına izin vermeyin.** Makinelerin acemi kullanıcılar tarafından kullanılması tehlikelidir.

- **Makine ve aksesuarların bakımını yapın.** Hareketli parçaların yanlış hizalanma veya bağlantı durumunu, kırık parçaların olup olmadığını ve makinenin çalışmasını etkileyebilecek her türlü durumu kontrol edin. Zarar görmüşse makinenin kullanım öncesinde onarılmasını sağlayın. Yeterli bakım yapılmamış makineler çok sayıda kazaya sebep olmaktadır.
- **Kesme makinelerinin keskin ve temiz olmasını sağlayın.** Bakımı uygun şekilde yapılan, keskin kesici kenarları olan kesme makineleri daha az tutukluk yapar ve daha kolay kontrol edilir.
- **Makineyi, aksesuarları, alet uçlarını ve benzeri bileşenleri çalışma şartlarını ve yapılacak işi göz önünde bulundurarak bu talimatlara uygun şekilde kullanın.** Makinenin uygun olduğu işler dışında kullanılması tehlikeli durumlara yol açabilir.
- **Tutma yerlerini ve kavrama yüzeylerini kuru ve temiz tutun.** Bu kısımlarda yağ veya gres bulunmamasını sağlayın. Kaygan tutma yerleri ve kavrama yüzeyleri, beklenmeyen durumlarda makinenin güvenli şekilde taşınmasına ve kontrol edilmesine izin vermez.

Akülü makine kullanımı ve bakımı

- **Yalnızca üretici tarafından belirtilen şarj cihazıyla yeniden şarj edin.** Yalnızca tek bir türdeki akü grubuna uygun bir şarj cihazının başka akü grubuyla kullanılması yangın riski oluşturabilir.
- **Makineleri yalnızca özel olarak belirtilmiş akü gruplarıyla kullanın.** Farklı herhangi bir akü grubunun kullanılması yaralanma ve yangın riski oluşturabilir.
- **Akü grubu kullanılmadığında ataşlar, bozuk paralar, anahtarlar, çivi ve vidalar gibi başka metal nesnelere veya bir terminalden diğer terminale bağlantı yapabilecek diğer küçük metal nesnelere uzak tutun.** Akü terminallerinde kısa devre yapmak yangınlara veya yangına sebep olabilir.
- **Uygun olmayan koşullar altında aküden sıvı sızabilir; temas etmekten kaçınınız. Kazara bir temas meydana gelirse suyla durulayınız. Sıvı, gözlerle temas ederse derhal tıbbi yardım alın.** Aküden sızan sıvı, tahriş veya yangınlara sebep olabilir.

- **Hasarlı veya modifiye edilmiş akü grubunu veya makineyi kullanmayın.** Hasarlı veya modifiye edilmiş aküler yangın, patlama veya yaralanma riski ile sonuçlanabilecek öngörülemeyen davranışlar sergileyebilir.
- **Akü grubunu veya makineyi ateşe ya da aşırı sıcaklığa maruz bırakmayın.** Yangına veya 130 °C'nin üzerindeki sıcaklıklara maruz bırakmak patlamaya neden olabilir.
- **Tüm şarj etme talimatlarına uyun ve akü grubunu veya makineyi talimatlarda belirtilen sıcaklık aralığının dışında şarj etmeyin.** Uygun olmayan şekilde veya belirtilen aralığın dışındaki sıcaklıklarda şarj edilmesi aküye zarar verebilir ve yangın riskini artırabilir.

Servis

- **Makinenizin servis işlemlerinin yalnızca aynı yedek parçalar kullanılarak yetkili bir tamirci tarafından yapılmasını sağlayın.** Bu, makine güvenliğinin korunmasını sağlar.
- **Hasarlı akü gruplarını asla servise sokmayın.** Akü gruplarının servisi yalnızca üretici veya yetkili servis sağlayıcıları tarafından gerçekleştirilmelidir.

Çim biçme makinesi güvenlik uyarıları

- **Kötü hava koşullarında; özellikle de yıldırım düşme riski olduğunda çim biçme makinesi kullanmayın.** Bu, yıldırım çarpması riskini azaltır.
- **Çim biçme makinesinin kullanılacağı alanı vahşi yaşam açısından iyice inceleyin.** Çalışma sırasında çim biçme makinesi vahşi yaşama zarar verebilir.
- **Çim biçme makinesinin kullanılacağı alanı iyice kontrol edin ve tüm taşları, dalları, telleri, kemikleri ve diğer yabancı cisimleri çıkarın.** Fırlayan nesnelere kişisel yaralanmalara yol açabilir.
- **Çim biçme makinesini kullanmadan önce bıçak ve bıçak tertibatının yıpranmamış veya hasar görmemiş olduğunu her zaman gözünüzle kontrol edin.** Aşınmış veya hasarlı parçalar yaralanma riskini artırır.

- **Çim toplama haznesini yıpranma veya bozulma yönünden sıklıkla kontrol edin.** Yıpranmış veya hasar görmüş çim toplama haznesi, yaralanma riskini artırabilir.
- **Koruyucuları yerinde tutun. Koruyucular çalışır durumda olmalı ve düzgün şekilde monte edilmelidir.** Gevşek, hasarlı veya düzgün çalışmayan bir koruyucu, yaralanmalara neden olabilir.
- **Soğutma havası girişlerinde kalıntı bırakmayın.** Tıkalı hava girişleri ve kalıntılar, aşırı ısınmaya veya yangın riskine neden olabilir.
- **Çim biçme makinesini kullanırken her zaman kaymayan, koruyucu bir ayakkabı giyin. Çim biçme makinesini yalın ayak veya açık sandalet giyerken kullanmayın.** Bu, ayakların hareketli bıçakla temas etmesi nedeniyle yaralanma olasılığını azaltır.
- **Çim biçerken her zaman uzun pantolon giyin.** Açıkta kalan cilt, fırlayan nesnelerin neden olabileceği yaralanma olasılığını artırır.
- **Çim biçme makinesini ıslak çimde çalıştırmayın. Yürüyerek hareket edin, hiçbir zaman koşmayın.** Bu, kişisel yaralanmaya neden olabilecek kayma ve düşme riskini azaltır.
- **Çim biçme makinesini aşırı dik yokuşlarda kullanmayın.** Bu, kişisel yaralanmaya neden olabilecek kontrol kaybı, kayma ve düşme riskini azaltır.
- **Eğimli yerlerde çalışırken her zaman adımınıza dikkat edin; çimleri yatay olarak biçin, eğime paralel yönde çalışmayın ve yön değiştirirken çok dikkatli olun.** Bu, kişisel yaralanmaya neden olabilecek kontrol kaybı, kayma ve düşme riskini azaltır.
- **Çim biçme makinesini geriye veya kendinize doğru çekerken çok dikkatli olun. Her zaman çevrenize dikkat edin.** Bu, çalışma sırasında takılma riskini azaltır.
- **Hareket halindeyken bıçaklara ve diğer tehlikeli hareketli parçalara dokunmayın.** Bu, hareketli parçaların yaralama riskini azaltır.
- **Sıkışan malzemeyi veya çim biçme makinesini temizlerken tüm güç anahtarlarının kapalı olduğundan ve akü grubunun bağlantısının kesildiğinden emin olun.** Çim biçme makinesinin beklenmedik şekilde çalışması ciddi yaralanmalara neden olabilir.

Çim biçme makinesi için ek güvenlik talimatları

Eğitim

- Talimatları dikkatlice okuyun. Kontrollere ve ürünün doğru kullanımına yönelik bilgi sahibi olun.
- Çocukların, fiziksel, duygusal veya zihinsel becerileri kısıtlı kişilerin, yeterli deneyime ve birikime sahip olmayan kişilerin veya bu talimatlar hakkında bilgisi olmayan kişilerin ürünü kullanmasına kesinlikle izin vermeyin. Yerel yönetmelikler kullanıcı için yaş sınırlaması getirebilir.
- Çocuklar, ürünle oynamadıklarından emin olmak için gözetim altında tutulmalıdır.
- Cihazın temizliği ve bakımı, gözetim altında olmayan çocuklar tarafından yapılmamalıdır.
- İnsanların ve özellikle çocukların ya da evcil hayvanların yakınında asla çim biçmeyin.
- Diğer kişilere ya da onların mülklerine yönelik kazalar ve tehlikelerden operatörün ya da kullanıcının sorumlu olduğunu unutmayın.

Hazırlık

- Çim biçerken daima sağlam ayakkabı ve uzun pantolon giyin. Ürünü yalın ayak veya açık sandalet giyerken kullanmayın. Geniş kesim veya sallanan ip veya kumaşlara sahip elbiseler giymekten sakının.
- Ürünün kullanılacağı alanı iyice kontrol edin ve ürünün fırlatabileceği tüm nesnelere ortadan kaldırın.
- Kullanımdan önce kesme bıçağı, kesme bıçağı civataları ve kesme bıçağı tertibatının aşınmamış veya hasar görmemiş olduğunu her zaman gözle kontrol edin. Dengeyi korumak için yıpranmış veya hasar görmüş kesme bıçaklarını ve civataları set olarak değiştirin. Hasar görmüş veya okunamaz durumdaki etiketleri değiştirin.



**DİKKAT! DÖNEN KESME BIÇAĞINA
DOKUNMAYIN.**

Çalıştırma

- Ürünü sadece gün ışığında veya yeterli aydınlatma koşullarında çalıştırın.
- Makul olan durumlarda ürünü ıslak çim biçmek için kullanmaktan kaçının.
- Eğimli arazilerde yere sağlam bastığınızdan emin olun.
- Yürüyerek hareket edin, hiçbir zaman koşmayın.
- Eğimli yerlerde çimleri yatay olarak biçin, eğime paralel yönde çalışmayın.
- Eğimli yerlerde yön değiştirirken çok dikkatli davranın.
- Aşırı dik eğimlerde çim biçmeyin.
- Ürün ile geriye hareket ederken veya ürünü kendinize doğru çekerken çok dikkatli olun.
- Çim olmayan zeminlerden geçerken ve ürünü çim biçilen alana taşırken veya geri götürürken ürünün eğilmesi gereken durumlarda kesme bıçaklarını durdurun.
- Ürünü kusurlu koruyucularla veya siperliklerle ya da deflektörler ve/veya çim toplama hazneleri gibi emniyet cihazları olmadan asla çalıştırmayın.
- Ürünü talimatlara göre ve ayaklarınız kesme bıçaklarından yeterince uzaktayken dikkatlice başlatın veya çalıştırın.
- Çalıştırılmak için eğilmesi gereken ürünler dışında motoru çalıştırırken ürünü eğmeyin. Ürün eğilecekse ürünü sadece gerekli olduğu kadar eğin ve sadece kullanıcıdan uzakta olan parçayı kaldırın.
- Tahliye kanalının önünde dururken ürünü başlatmayın.
- Ellerinizi veya ayaklarınızı dönen parçaların yakınına veya altına koymayın. Tahliye açıklığından daima uzak durun.
- Akü grubu takılıyken ürünü taşımayın.
- Ürünü durdurun ve akü grubunu çıkarın. Aşağıdaki durumlarda hareketli tüm parçaların tamamen durduğundan emin olun:
 - ürünün yanından ayrıldığınızda,
 - tıkanıklıkları temizlemeden önce veya kanalın tıkanıklığını gidermeden önce,
 - ürünü kontrol etmeden, temizlemeden veya ürün üzerinde çalışmadan önce,

- yabancı bir cisme çarptıktan sonra. Üründe hasar olup olmadığını inceleyin ve ürünü yeniden çalıştırmadan ve kullanmadan önce gerekli onarımları gerçekleştirin.
- Ürün anormal şekilde sarsılmaya başlarsa (derhal kontrol edin)
 - herhangi bir hasar olup olmadığını kontrol edin,
 - hasar gören tüm parçaları değiştirin veya onarın,
 - gevşek parça olup olmadığını kontrol edin; varsa sıkın.

Bakım ve depolama

- Ürünü kontrol etmeden, temizlemeden veya ürün üzerinde çalışma yapmadan önce ve kullanılmadığı zamanlarda akü grubunu çıkarın.
- Bakım veya temizlik çalışması yapmadan önce akü grubunu çıkarın.
- Düzgün yapılmayan bakımlar ürünün arızalanmasına / düzgün çalışmamasına yol açacaktır.
- Ürünü düzenli olarak kontrol edin ve bakımını yapın. Ürünün güvenli çalışma durumunda olması için tüm somunları, civataları ve vidaları sıkın.
- Çim toplama haznesini yıpranma veya bozulma yönünden sıklıkla kontrol edin.
- Parmaklarınızın dönen bıçaklara veya ürünün sabit parçalarına sıkışmasını önlemek için üründe ayar yaparken dikkatli olun.
- Herhangi bir kapalı alanda depolamadan önce mutlaka ürünün soğumasını bekleyin.
- Bıçaklara bakım yaparken, bıçakların güç kaynağı kapatılmış olsa bile hareket edebileceğini unutmayın.
- Yıpranmış veya hasar görmüş parçaları güvenlik açısından değiştirin. Yalnızca orijinal yedek parçalar ve aksesuarlar kullanın.
- Kesme bıçağını sökerken veya yeniden monte ederken dayanıklı iş eldivenleri giyin.
- Ürünün yalnızca yetkili servis merkezi veya benzer nitelikte bir uzman tarafından onarılmasını sağlayın.
- Ürünü kullanmadığınızda çocukların erişemeyeceği bir yerde saklayın.

Akü grubu için ek güvenlik uyarıları

- **Akü grubu kullanılmadan önce şarj edilmelidir.** Her zaman şarj cihazının talimatlarına bakın ve uygun şekilde şarj edin.
- **Kullanılmadığında akü grubunu üründen çıkarın.**
- **Kullanılmadığında akü grubunu şarj cihazında bırakmayın.**
- **Uzun süreli depolamanın ardından maksimum performansın elde edilebilmesi için akü grubunun birkaç defa şarj edilmesi ve ardından şarjının boşaltılması gerekebilir.**
- **Akünün, hava sıcaklığı 18 °C ve 24 °C aralığındayken şarj edilmesi durumunda daha uzun kullanım ömrü ve daha iyi performans elde edilebilir.** Aküyü 5 °C'nin altında ya da 40 °C'nin üzerindeki sıcaklıklarda şarj etmeyin. Akünün ciddi şekilde hasar görmesine yol açabileceğinden bu konuya dikkat edilmesi önemlidir.
- **Aküyü nemli veya ıslak bir yerde şarj etmeyin.** Bu kurala uyulması elektrik çarpması riskini azaltır.
- **Aküyü sökmeyin ve akünün mekanik hasar görmesini önleyin. Kısa devre ve duman yayılması riski.** Temiz hava sağlayın ve rahatsızlık durumunda tıbbi yardım alın.
- **Akü grubunu imha ederken, farklı elektrokimyasal sistemlere sahip olan akü gruplarını birbirlerinden ayrı tutun.**
- Akünün pozitif terminalini ve negatif terminalini metal bir nesne ile (tel gibi) birbirine temas ettirmeyin.
- Aküyü kolye, saç tokası veya diğer metal nesnelere birlikte taşımayın veya depolamayın.
- Aküyü çiviyle delmeyin, aküye çekiçle vurmeyin, akünün üzerine basmayın veya diğer türlü güçlü darbe ve sarsılmalara maruz bırakmayın.
- Doğrudan akünün üzerinde lehimleme yapmayın.
- Aküyü suya veya tuzlu suya maruz bırakmayın veya ıslatmayın.
- Aküyü parçalarına ayırmayın veya aküde değişiklik yapmayın.
- Aküyü ateşe veya ateş yakınına, ocağa veya diğer yüksek sıcaklıklı konumların üzerine koymayın. Aküyü doğrudan güneş ışığı altına koymayın veya sıcak havalarda araç içerisinde kullanmayın ya da depolamayın.

- Aküyü mikrodalga fırın, yüksek basınçlı kaplar veya indüklemeli pişirme kaplarına koymayın.
- Bir süre kullanmayacağınız aküyü depolamak istiyorsanız oda sıcaklığında (19 °C ila 25 °C), şarj gösterge ışıklarında 3 çubuğa kadar şarj edilmiş halde depolayın. Aküyü çok uzun süre depolayacaksanız aşırı deşarjı engellemek için yılda bir defa hızlı şarj edin.

Sağlık gözetimi

Tüm çalışanlar, titreşime bağlı hastalıkların erken bir aşamada teşhis edilmesine, hastalığın ilerlemesinin önlenmesine ve çalışanların çalışmaya devam etmesine yardımcı olmak için işverenin sağlık gözetimi planının bir parçası olmalıdır.

Titreşim ve gürültünün azaltılması

Gürültü ve titreşim yayılımının etkisini azaltmak için çalışma süresini sınırlayın, düşük titreşimli ve alçak sesli çalışma modlarını seçin ve kişisel koruyucu donanım kullanın.

Titreşim ve gürültüye maruz kalma risklerini en düşük seviyeye indirmek için aşağıdaki konuları göz önünde bulundurun:

- Ürünü bu talimatlara uyararak yalnızca tasarım amacına uygun olarak kullanın.
- Ürünün iyi durumda olduğundan ve bakımının düzgün şekilde yapıldığından emin olun.
- Ürün için doğru eklentileri kullanın ve iyi durumda olduklarından emin olun.
- Tutma yerlerini / kavrama yüzeylerini sıkıca tutun.
- Ürünün bakımını bu talimatlara uygun şekilde yapın ve (gerekli yerlerde) iyi yağlanmış olmasını sağlayın.
- İş programınızı yüksek titreşimli herhangi bir makine kullanımını uzun bir süreye yayacak şekilde planlayın.

- Ürünün uzun süreler boyunca kullanılması, kullanıcıyı el-kol titreşim sendromu (HAVS) olarak adlandırılan, örneğin parmakların beyazlaması gibi bir dizi duruma ve ayrıca karpal tünel sendromu gibi belirli bazı hastalıklara neden olabilecek titreşimlere maruz bırakır. Ürünü kullanırken maruz kalınan riski azaltmak için daima koruyucu eldiven giyin ve ellerinizi sıcak tutun.

Acil durumlar

Bu kullanım kılavuzuyla ürün kullanımı hakkında bilgi edinin. Güvenlik talimatlarını aklınızda tutun ve bu talimatlara harfi harfine uyun. Bu, riskleri ve tehlikeleri önlemeye yardımcı olur.

- **Riskleri erkenden tespit edip giderebilmek için bu makineyi kullanırken her zaman dikkatli olun.** Hızlı müdahale, ciddi yaralanmaları ve mülk hasarlarını önleyebilir.
- **Arıza olması halinde makineyi kapatın ve akü grubunu çıkarın.** Ürünün yeniden çalıştırılmadan önce yetkili bir uzman tarafından kontrol edilmesini ve gerekirse onarılmasını sağlayın.

Kalan riskler

Bu ürünü tüm güvenlik gereklilikleriyle uyumlu şekilde çalıştırsanız dahi olası yaralanma ve hasar riski mevcuttur. Bu ürünün yapısı ve tasarımıyla bağlantılı olarak aşağıdaki tehlikeler meydana gelebilir:

- Ürün uzun süreli kullanıldığında veya layıkıyla kullanılmadığında ve bakımı uygun şekilde yapılmadığında meydana gelen titreşim yayılımından kaynaklı sağlık sorunları.
- Arızalı eklentiler veya kullanım sırasında gizli nesnelerin ani darbelerinden kaynaklı yaralanmalar ve maddi hasarlar.
- Uçan nesnelerin veya kötü makine aksesuarlarının yol açtığı yaralanma ve mülk hasarı tehlikesi.



UYARI! BU ÜRÜN, ÇALIŞMA SIRASINDA ELEKTROMANYETİK BİR ALAN YARATIR! BU ALAN BAZI KOŞULLAR ALTINDA AKTİF VEYA PASİF TIBBİ İMPLANTLARDA PARAZİTE NEDEN OLABİLİR! CİDDİ VEYA ÖLÜMCÜL YARALANMA RİSKİNİ AZALTMAK İÇİN TIBBİ İMPLANTI BULUNAN KİŞİLERİN BU ÜRÜNÜ ÇALIŞTIRMADAN ÖNCE DOKTORLARINA VE TIBBİ İMPLANT ÜRETİCİLERİNE DANIŞMALARINI ÖNERİRİZ!

Semboller

Ürün üzerinde, derecelendirme etiketinde ve bu talimatlar içerisinde diğerlerinin yanı sıra aşağıdaki semboller ve kısaltmalar yer alır. Bunlar hakkında bilgi sahibi olarak kişisel yaralanmalar ve maddi hasar gibi tehlikeleri azaltın.

V	Volt, (doğru akım gerilimi)	mAh	Miliamper / saat
/dk veya dk ⁻¹	Dakikada	°C	Santigrat derece
n ₀	Boşta çalışma hızı	L	Litre
g	Gram	kg	Kilogram
mm	Milimetre	cm	Santimetre
m	Metre	A	Amper
dB(A)	Desibel (A derecelendirmeli)	m/s ²	Metre bölü saniye kare
	Kilit / sıkamak veya sabitlemek için.		Kilit açık / gevşetmek için.
	Kullanım kılavuzunu okuyun.		Not / Açıklama.
			Dikkat / Uyarı.
yyWxx	Üretim tarihi kodu; üretim yılı (20yy) ve üretim haftası (Wxx).		
IPX1	Dikey olarak düşen su damllarına karşı korumalıdır.		



Daima koruyucu kulaklık takın.



Daima koruyucu gözlük takın.



Toz maskesi takın.



Koruyucu eldiven takın.



Koruyucu ve kaymayan ayakkabı giyin.



Dar koruyucu giysiler giyin.



UYARI - Bakımdan önce devre dışı bırakma cihazını çıkarın!

Montaj, temizlik, ayarlama, bakım, depolama ve taşıma işleminden önce makineyi kapatın ve akü grubunu çıkarın.



UYARI - Bakımdan önce akü bağlantısını kesin!



Bu makine, koruma sınıfı III özelliklerine sahiptir.



Ürünü yağmura veya ıslak ortamlara (neme) maruz bırakmayın.



Eğimli yerlerde çimleri yatay olarak biçin, eğime paralel yönde çalışmayın.



Ürünün kullanılacağı alanı kontrol edin ve ürünün fırlatabileceği tüm nesnelere ortadan kaldırın. Çalışırken nesnelere gizlenirse motoru durdurun ve nesnelere çıkarın.



UYARI - Fırlayan nesnelere dikkat edin; etraftaki kişileri uzak tutun!

Üründen sağa sola sıçrayan nesnelere kullanıcıya ya da etrafta bulunan diğer kişilere çarpabilir. Ürün çalışırken etrafınızdaki diğer kişilerin ve evcil hayvanların daima emniyetli bir mesafede durmalarını sağlayın. Genel olarak çocuklar ürünün çalıştığı alanın yanına yaklaşmamalıdır.



UYARI - Ellerinizi ve ayaklarınızı bıçaklardan uzak tutun!

Yaralanma tehlikesi! Temizlerken, onarım yaparken veya kontrol ederken kesme bıçağının ve tüm biçme parçalarının durduğuna emin olun.



TEHLİKE - Ellerinizi ve ayaklarınızı uzak tutun!



Kesme bıçağı, ürün kapatıldıktan sonra dönmeye devam eder. Ürüne dokunmadan önce tüm makine bileşenleri tamamen durana kadar bekleyin.



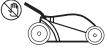
Kesme bıçağı üzerinde çalışırken özellikle dikkatli olun!



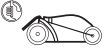
Çim toplama haznesi, çim toplama için hazırdır.



Çim toplama haznesi dolu, boşaltın.



Motor çalışırken arka deflektör korumasını açmayın.



Motor çalışırken arka deflektör korumasını her zaman kapalı tutun.



Garanti edilen ses gücü seviyesi değeri 88 dB(A)'dir.



WEEE sembolü. Elektrikli ürün atıkları, evsel atıklarla bir arada atılmamalıdır. Bulduğunuz yerde tesis varsa lütfen bu atıkları geri dönüştürün. Geri dönüşüm tavsiyesi için Yerel Yönetiminize veya yerel mağazanıza danışın.



Çarpı ile işaretli çöp kutusu. Aküler ve akü grupları, evsel atıklarla bir arada atılmamalıdır. Bulduğunuz yerde tesis varsa lütfen bu atıkları geri dönüştürün. Geri dönüşüm tavsiyesi için Yerel Yönetiminize veya yerel mağazanıza danışın.



Akü gruplarını nehirlere atmayın veya suya batırmayın.



Akü gruplarını ateşe atmayın. Patlayarak yaralanmaya sebep olurlar.



Akü gruplarını 40 °C üzerinde ısıya maruz bırakmayın.

Akü grubunu 5 °C (41 °F) altındaki ve 40 °C (104 °F) üzerindeki sıcaklıklarda şarj etmeyin veya saklamayın.



Ürün, geçerli Avrupa direktifleri ile uyumludur ve bu direktiflere ilişkin bir uygunluk değerlendirme yöntemi uygulanmıştır.

Teknik özellikler

Genel

- > Nominal gerilim : 36 V ---
- > Nominal yüksüz hız n_0 : 3200 dk⁻¹
- > Kesme genişliği : 38 cm
- > Kesme yüksekliği aralığı : 25-75 mm, 6 kademe
- > Çim toplama haznesinin hacmi : 45 L
- > Koruma sınıfı : Aküyle çalışır
- > Koruma derecesi : IPX1
- > Tekerlek boyutu : Ø 160 x 40 mm (Ön tekerlek)
Ø 180 x 40 mm (Arka tekerlek)
- > Ağırlık : yaklaşık 16,85 kg
- > Boyutlar : yaklaşık 134 x 44 x 100 cm

Akü grubu

- > Model no. : MDVB36-4 / TTB812BAT / MCT1239BAT /
TTT1240BAT
- > Tip : Lityum İyon, 10 INR 21700 hücre
- > Kapasite : 4 / 8 Ah
- > Gerilim : 36 / 18 V ---
- > Ağırlık : yaklaşık 1,05 kg

Akü grubu için şarj cihazı

- > Model no. : MFC36 / TTB815CHR / MCB1241CHR /
TTB1242CHR
- > Nominal çıkış : 21 V --- , 8 A



NOT: Bu 36 V çim biçme makinesi, yukarıdaki modeller gibi 36 / 18 V çift gerilimli aküyle birlikte kullanılır.

Aletlerin ve akülerin kullanımı ve saklanması için ortam sıcaklığı aralığı: 5-40 °C
Şarj sırasında şarj sistemi için ortam sıcaklığı aralığı: 5-40 °C

Ses değerleri

- > Ses basıncı seviyesi L_{pA} : 78,77 dB(A)
- > Belirsizlik K_{pA} : 3 dB(A)
- > Ölçülen ses gücü seviyesi L_{WA} : 86,92 dB(A)
- > Belirsizlik K_{WA} : 0,63 dB(A)
- > Garanti edilen ses gücü seviyesi L_{WA}
(2005/88/EC ile değiştirilen
2000/14/EC uyarınca) : 88 dB(A)

Titreşim değerleri

- > El kol titreşimi $a_{h,w}$: 0,346 m/s²
- > Belirsizlik K : 1,5 m/s²

Ses deęerleri, EN 62841-1 ve EN IEC 62841-4-3'te belirtilen ses testi kodu uyarınca EN ISO 3744 temel standartları kullanılarak belirlenmiştir.

Kullanıcının maruz kaldığı ses yoğunluğu seviyesi 80 dB(A) deęerini aşabilir ve kulakları korumaya yönelik önlemler alınmalıdır. Belirtilen toplam titreşim deęerleri ve belirtilen gürültü emisyonu deęerleri, standart bir test yöntemi (EN 62841-1, EN IEC 62841-4-3) ile uyumlu olarak ölçülmüştür ve bir makineyi başka bir makineyle karşılaştırmak için kullanılabilir; ayrıca maruziyetin ön deęerlendirmesinde de kullanılabilir.



UYARI! MAKİNEİNİN GERÇEK KULLANIMI SIRASINDA TİTREŞİM VE GÜRÜLTÜ EMİSYONU, MAKİNEİNİN KULLANIM YÖNTEMLERİNE (ÖZELLİKLE HANGİ TÜR İŞ PARÇASININ İŞLENDİĞİ) BAĞLI OLARAK BEYAN EDİLEN TOPLAM DEĞERDEN FARKLI OLABİLİR.

GERÇEK KULLANIM KOŞULLARINDA MARUZ KALMA TAHMİNİNDE BULUNARAK OPERATÖRÜ KORUMAYA YÖNELİK GÜVENLİK ÖNLEMLERİNİN TANIMLANMASI GEREKİR (TETİKLEME ZAMANINA EK OLARAK MAKİNEİNİN KAPALI OLDUĞU VE RÖLANTİDE ÇALIŞTIĞI ZAMANLAR GİBİ ÇALIŞMA DÖNGÜSÜNÜN TÜM BÖLÜMLERİNİ DİKKATE ALIN).

Derecelendirme etiketi açıklaması

Çim Biçme Makinesi: MCT1191LWM

MCT = MAC Allister (marka adı)

1191 = Sıralı kod

LWM = Çim biçme makinesi

Çim Biçme Makinesi: TTT1192LWM

TTT = TITAN (marka adı)

1192 = Sıralı kod

LWM = Çim biçme makinesi

TR Hazırlık

Ambalajdan çıkarma



NOT: Makine ağırdır; gerekirse başka birinden yardım isteyin.

1. Tüm parçaları ambalajdan çıkarıp düz ve sabit bir zemine koyun.
2. Tüm ambalaj malzemelerini ve varsa sevkiyat araçlarını kaldırın.
3. Teslim edilen içeriğin eksiksiz ve hasarsız olduğundan emin olun. Parçaların eksik veya hasarlı olduğunu tespit ederseniz makineyi kullanmayın ve bayinizle iletişime geçin. Eksik veya hasarlı bir ürünün kullanılması insanlara ve mülke zarar verebilir.
4. Montaj ve kullanım için gerekli tüm aksesuarlara ve araçlara sahip olduğunuzdan emin olun. Buna, uygun kişisel koruyucu ekipman dahildir.



UYARI! BU MAKİNE VE AMBALAJI ÇOCUK OYUNCAĞI DEĞİLDİR! ÇOCUKLAR PLASTİK TORBALAR, LEVHALAR VE KÜÇÜK PARÇALARLA OYNAMAMALIDIR! ÖLÜMLE SONUÇLANABİLECEK BOĞULMA TEHLİKESİ VARDIR!

İhtiyaç duyacaklarınız

(birlikte verilmeyen öğeler)

Uygun kişisel koruyucu ekipman
Uygun anahtar
Uygun yağlama yağı
EAN 5063022638076 ve 5063022637567 için akü grubu (24)
EAN 5063022638076 ve 5063022637567 için şarj cihazı (25)

(birlikte verilen öğeler)

Çim toplama haznesi (7)
Kesme bıçağı (22)
Malçlama parçası (23)



NOT: Gerekli aksesuarlar, planlanan uygulamaya bağlıdır. Öneri için bayinize danışın.

TR Montaj



UYARI! MAKİNE, KULLANIM ÖNCESİNDE TAMAMEN MONTE EDİLMELİDİR!



YALNIZCA KISMİ OLARAK MONTE EDİLMİŞ VEYA HASARLI PARÇALARLA MONTE EDİLMİŞ BİR MAKİNEYİ KULLANMAYIN!



BU MONTAJ İŞİ İÇİN KORUYUCU ELDİVEN GİYİN VE MAKİNEYİ MONTE EDERKEN HER ZAMAN DÜZ VE SABİT BİR YÜZEYE KOYUN.

MONTAJ TALİMATLARINI ADIM ADIM İZLEYİN VE ÜRÜNÜ KOLAYCA MONTE ETMEK İÇİN SUNULAN RESİMLERİ GÖRSEL KILAVUZ OLARAK KULLANIN!

MAKİNEYİ KULLANMADAN ÖNCE ÇALIŞTIRMA ÖZELLİKLERİ HAKKINDA BİLGİ SAHİBİ OLUN, KULLANIM KILAVUZUNUN TAMAMINI OKUYUN VE EMNİYET KURALLARI İLE ÇALIŞTIRMA PROSEDÜRLERİ BÖLÜMLERİNE ÖZEL DİKKAT GÖSTERİN.

MAKİNEYİ, TAMAMEN MONTE ETMEDEN ÖNCE AKÜ GRUBUNA (24) BAĞLAMAYIN!

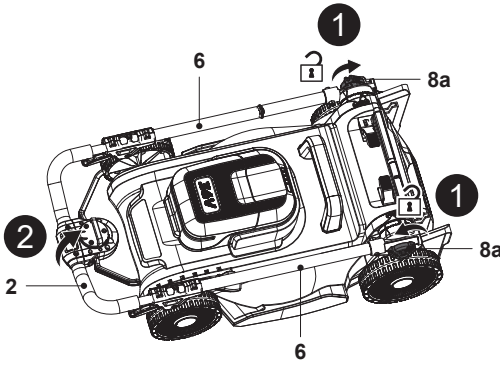


NOT: Montaj sırasında ya da ayar yaparken çıkarılan küçük parçalara dikkat edin. Kaybolmalarını önlemek için güvenli bir yerde tutun.

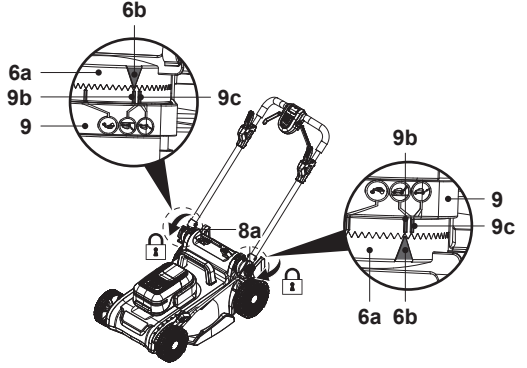
Gerekirse makineyi monte ederken başka bir kişiden yardım isteyin.

Tutma yeri montajı

1. Makineyi düz ve dengeli bir zemine yerleştirin.
2. Alt gidonların (6) üzerindeki iki kilitleme topuzunu (8a) saat yönünün tersine gevşetin ancak çıkarmayın (Şek. 1, adım 1).
3. Tutma kolunu (2) bir elinizle tutun ve tutma yeri tertibatını (4, 6) açın (Şek. 1, adım 2).
4. Kadran (6a) üzerindeki göstergesi (6b) tutma yeri desteği (9) üzerindeki tutma yeri yüksekliği göstergelerinden biriyle (9b/9c) hizalayın, ardından kilitleme topuzlarını (8a) sıkarak tutma yeri tertibatını (4, 6) sabitleyin (Şek. 2).
5. İki alt gidonun (6) her iki tarafta da aynı yüksekliğe monte edilmesini sağlayın.
6. Kontrol kablosunun (20) alt gidonun (6) üzerinden geçtiğinden emin olun.



Şek. 1



Şek. 2

7. İki kilitleme kolunu (5) açın, ardından tutma kolunu (2) tutun ve üst gidonu (4) kademeli olarak sonuna kadar çekin (Şek. 3, adım 1, 2).

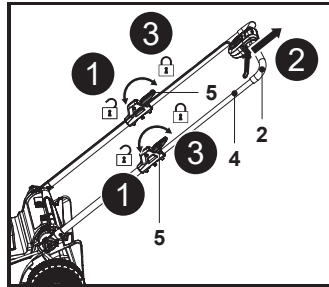


UYARI! ÜST GİDONU (4) HAFİFÇE İTİN VEYA ÇEKİN. ANİ KUVVET KULLANMAYIN!



NOT: Çim biçme makinesini yalnızca üst gidon (4) tamamen sonuna kadar çekilmiş halde kullanın! Üst gidon (4) orta konuma sabitlenmiş halde çalıştırmayın.

8. İki kilitleme kolunu (5) kapatın ve üst gidonun (5) sabitlenip sabitlenmediğini kontrol edin (Şek. 3, adım 3).

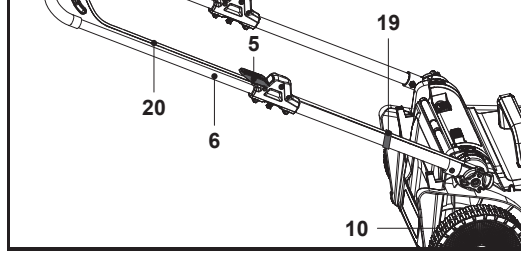


Şek. 3



UYARI! MAKİNEYİ KULLANMADAN ÖNCE İKİ KİLİTLEME KOLUNUN (5) DÜZGÜN ŞEKİLDE SABİTLENDİĞİNDEN EMİN OLUN.

9. Kontrol kablosunu (20) alt gidona (6) önceden takılmış olabilen kablo klipslerine (19) takın (Şek. 4).

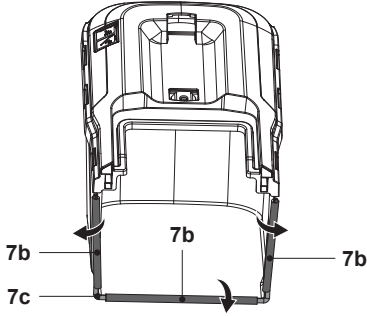


Şek. 4

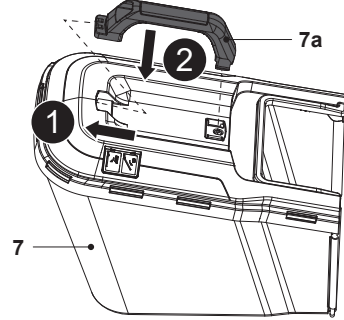
10. Kontrol kablosunun (20) durumunu kontrol edin ve kabloyu arka tekerlekten (10) uzak tutun.

Çim toplama haznesi

1. Üç kauçuk klipsi (7b) çim toplama haznesinin (7) destek çubuğuna (7c) takın (Şek. 5).
2. Taşıma kolunu (7a) çim toplama haznesinin (7) üst çerçevesindeki iki montaj yuvasına doğru yöne dikkat ederek takın (Şek. 6).
3. Kullanmadan önce taşıma kolunun (7a) sıkıca yerine oturduğundan emin olun.
4. Arka deflektör korumasını (18) açın ve açık konumda tutun (Şek. 7, adım 1).
5. Çim toplama haznesini (7) taşıma kolundan (7a) taşıyın.

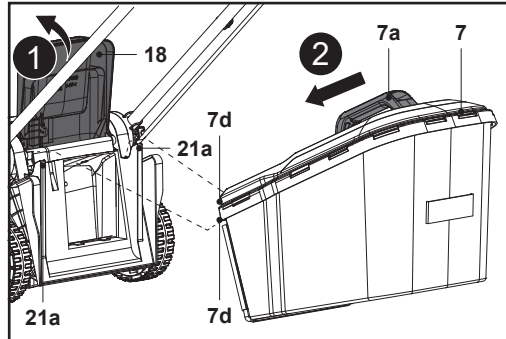


Şek. 5



Şek. 6

6. İki toplama haznesi kancasını (7d) yuvalarla (21a) hizalayın ve çim toplama haznesini (7) üzerine asın (Şek. 7, adım 2).
7. Daha sonra arka deflektör korumasını (18) dikkatlice serbest bırakın.



Şek. 7



NOT: Çim toplama haznesini (7) daima taşıma kolundan (7a) tutarak taşıyın. Çim toplama haznesini (7) asmadan önce, malçlama parçasının (23) arka tahliye kanalında (21) olup olmadığını kontrol edin. Çim toplama haznesini (7) asmadan önce malçlama parçasını (23) çıkarın.

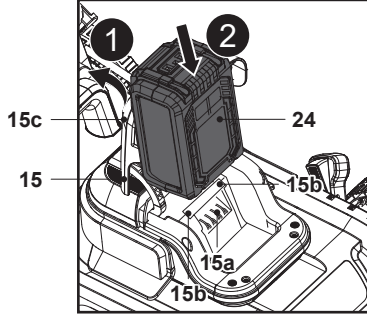


NOT: Çim toplama haznesi (7) kullanılıyorsa malçlama parçası (23) çıkarılmalıdır.

Akü grubu

Akü grubunu takma

1. Manyetik kapağı (15c) kaldırın ve akü bölmesi kapağını (15) açın (Şek. 8, adım 1).
2. Akü grubunu (24) iki kayar yuvayla (15b) hizalayın ve akü grubunu (24) kaydırarak yerine takın (Şek. 8, adım 2).
3. Elektrik kontaklarının (15a) akü grubuna (24) tamamen takıldığından ve tık sesi ile yerine tam oturduğundan emin olun.
4. Akü grubu (24) sadece bir yönde takılabilir.
5. Akü bölmesi kapağını (15) dikkatlice kapatın.

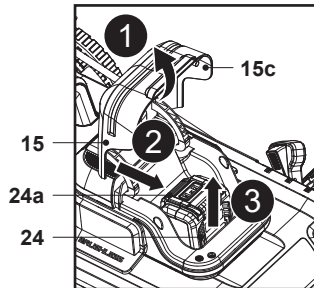


Şek. 8

Akü grubunu çıkarma

Akü grubu (24) çim biçme makinesindeyken şarj edilemez. Şarj etmek için akü grubunu (24) akü bölgesinden çıkarın.

1. Manyetik kapağı (15c) kaldırın ve akü bölmesi kapağını (15) açın (Şek. 9, adım 1).
2. Akü grubunun (24) mandalını açmak için serbest bırakma düğmesine (24a) basın (Şek. 9, adım 2).
3. Akü grubunu (24) akü bölgesinden dışarı kaydırın (Şek. 9, adım 3).
4. Akü bölmesi kapağını (15) dikkatlice kapatın.



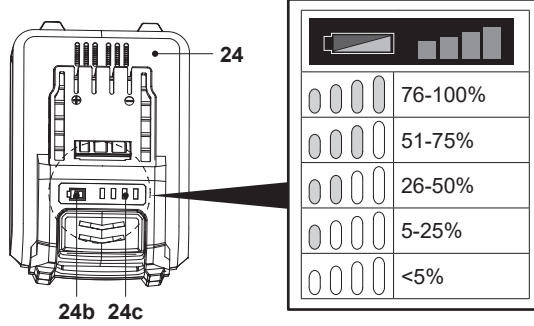
Şek. 9

Akü grubunu şarj etme

Akü grubu (24) düşük şarjlı olarak teslim edilmiştir. İlk kullanım öncesinde tamamen şarj edin. Ayrıntılar için şarj cihazı kullanım kılavuzuna bakın.

Akü kapasitesi göstergeleri

Akü grubunda (24), akü grubunun kalan kapasitesini göstermek için kullanılan akü kapasitesi göstergeleri (24c) bulunur. Akü kapasitesini kontrol etmek için akü kapasitesi düğmesine (24b) basın (Şek. 10). LED'ler yaklaşık 3 saniye boyunca yanar.



Şek. 10

TR İşlevler ve Ayarlar

Kullanım amacı

Kablosuz çim biçme makinesi 36 V nominal gerilim ile tasarlanmıştır. Yalnızca "Teknik özellikler" bölümünde listelenen akü grubuyla kullanılmak üzere tasarlanmıştır.

Makine sadece ev tipi bahçelerdeki çimleri biçmek için tasarlanmıştır. Otlak çimenleri gibi çok uzun, kuru veya ıslak çimleri biçmek ya da yaprak parçalamak için kullanılmamalıdır.

Bu makinenin yağmur ya da nemli koşullar altında kullanılması yasaktır.

Güvenlik amacıyla ilk kullanım öncesinde kullanım kılavuzunun tamamının okunması ve içerisinde yer alan tüm talimatlara uyulması önemlidir.

Bu makine yalnızca özel ev kullanımı içindir ve herhangi bir ticari kullanıma uygun değildir. Açıklananlardan başka amaçlar doğrultusunda kullanılmamalıdır.

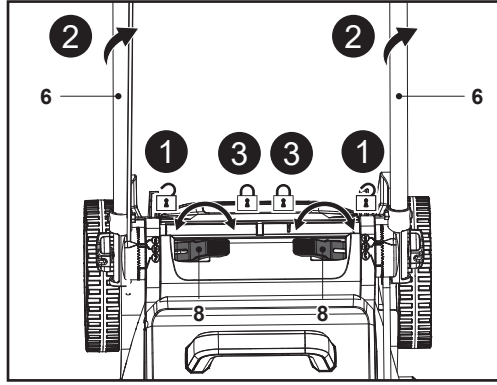
Tutma yeri yükseklik ayarı



UYARI! MAKİNEYİ KAPATIN VE AKÜ GRUBUNU (24) ÇIKARIN. TUTMA YERİ YÜKSEKLİĞİNİ AYARLAMADAN ÖNCE KESME BIÇAĞININ (22) TAMAMEN DURMASINI BEKLEYİN!

Tutma yeri tertibatını ihtiyaçlarınıza göre uygun yüksekliğe ayarlayın. Seçilebilecek iki tutma yeri yüksekliği vardır.

1. Tutma yeri tertibatını (4, 6) tek elinizle tutun.
2. Diğer elinizle iki kelepçe kolunu (8) açın ve ardından tutma yeri tertibatını (4, 6) diğer tutma yeri yüksekliği konumuna döndürün (Şek. 11, adım 1, 2).
3. Gösterge üçgeninin (6b) tutma yeri yüksekliği göstergesi (9b/9c) ile hizalandığından emin olun, ardından tutma yeri tertibatını (4, 6) sabitlemek için iki kelepçe kolunu (8) katlayın (Şek. 11, adım 3).
4. Tutma yeri tertibatının (4, 6) her iki tarafta da aynı yüksekliğe monte edildiğinden emin olun.



Şek. 11

Kesme yüksekliğini ayarlama



UYARI! MAKİNEYİ KAPATIN VE AKÜ GRUBUNU (24) ÇIKARIN. KESME YÜKSEKLİĞİNİ AYARLAMADAN ÖNCE KESME BIÇAĞININ (22) TAMAMEN DURMASINI BEKLEYİN!

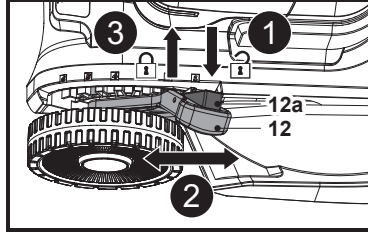
KOLUN İKİ DIŞ ARASINA GEÇMESİNİ SAĞLAYIN!

SEZONUN İLK ÇİM BİÇME İŞLEMİNDE UYGUN BİR KESME YÜKSEKLİĞİ SEÇİLMELİDİR. ÇİMLERİNİZ UZUN VE YAĞLIYSA DÜŞÜK BİR KESME YÜKSEKLİĞİ SEÇMEYİN, MOTOR DÜZGÜN ÇALIŞMAYABİLİR.

ÇİM BİÇME MAKİNESİNİ ÇALIŞTIRIRKEN ÇİMLERİN YÜKSEKLİĞİNİ KONTROL EDİN. ÇİM ÇOK UZUNSA ÇİM BİÇME MAKİNESİ ÇALIŞMAYA BAŞLAMAYACAKTIR. BU DURUMDA KESME YÜKSEKLİĞİ ARTIRILIR. BU ÖZELLİK MOTORU KORUR VE AKÜLERİN KULLANIM ÖMRÜNÜN ARTMASINI SAĞLAR.

Kesme yüksekliğini ihtiyacınıza göre ayarlayın. Kesme yüksekliği, çimenliğin türüne ve asıl yüksekliğine bağlıdır. Uzun çimleri biçerken maksimum kesme yüksekliği ile başlayın ve daha düşük kesme yüksekliğiyle ikinci kez kesin.

1. Kilitleme düğmesine (12a) basın ve yerinde tutun (Şek. 12, adım 1).
2. Kesme yüksekliğini ayarlamak için kolu (12) ileriye veya geriye hareket ettirin (Şek. 12, adım 2).
3. Kilitleme düğmesini (12a) serbest bırakın ve kolun (12) yuvaya düzgün şekilde oturduğundan emin olun (Şek. 12, adım 3).



Şek. 12



UYARI! HER AYARLAMADAN SONRA KOLUN (12) YUVAYA OTURDUĞUNDAN EMİN OLUN.



NOT: Biçme yüksekliği 25 mm ile 75 mm arasında 6 kademeye ayarlanabilir.

Çim biçme yüksekliği rakamları sadece kılavuz olarak kullanılmalıdır. Çimenlik alanın veya zeminin koşullarına bağlı olarak gerçek çim yüksekliği, ayarlanan yükseklikten biraz farklı olabilir.

Çim toplama haznesi



UYARI! ÇİM TOPLARKEN ÇİM TOPLAMA HAZNESİ (7) TAKILI OLMADAN MAKİNEYİ KULLANMAYA ÇALIŞMAYIN. UÇUŞAN NESNELER TEHLİKELİ OLABİLİR!

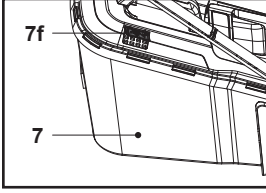
MAKİNEYİ KAPATIN VE AKÜ GRUBUNU (24) ÇIKARIN. ÇİM TOPLAMA HAZNESİNİ (7) ÇIKARMADAN ÖNCE KESME BIÇAĞININ (22) TAMAMEN DURMASINI BEKLEYİN!

1. Makineyi çim toplama için kullanırken "Montaj - çim toplama haznesi" bölümünde açıklandığı gibi çim toplama haznesini (7) her zaman takın.
2. Çim toplama haznesini (7) daima tutma yerinden (7a) tutarak taşıyın.

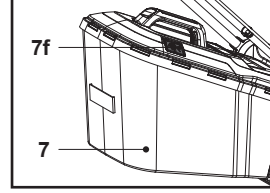
Gösterge

Çim toplama haznesinde (7) çalışma sırasında dolma durumunu gösteren bir kapak (7f) bulunur.

1. Kapak (7f) açıldığında çim toplama haznesi (7) çim toplamak için yeterli alana sahip demektir (Şek. 13).
2. Kapak (7f) kapatıldığında çim toplama haznesi (7) dolu ve boşaltılması gerekli demektir (Şek. 14).



Şek. 13



Şek. 14

Boşaltma



UYARI! MAKİNEYİ KAPATIP AKÜ GRUBUNU (24) ÇIKARIN VE ÇİM TOPLAMA HAZNESİNİ (7) ÇIKARMADAN ÖNCE KESME BIÇAĞININ (22) TAMAMEN DURMASINI BEKLEYİN!

Kullanım sırasında çim toplama haznesini (7) sık sık boşaltın. Tamamen dolmasını beklemeyin. %90 oranında dolduğunda veya çimenlikle çim döküntüsü izi olduğunda boşaltmanızı öneririz.



NOT: Tamamen dolan çim toplama haznesi (7), bu makinenin performansını düşürecektir.

1. Arka deflektör korumasını (18) yukarı kaldırın ve bu konumda tutun.
2. Çim toplama haznesi kancalarını (7d) yuvalardan (21a) kaldırın ve çim toplama haznesini (7) çıkarın.
3. Çim kırıntılarını arka tahliye kanalından (21) çim toplama haznesinin (7) içine alın. Fırça gibi uygun bir alet kullanın.
4. Çim toplama haznesini (7) taşıma koluyla (7a) çıkarın.
5. Kesilen çimleri tutma yerlerinden (7a, 7e) tutarak bir kompost yığınınına boşaltın.
6. Çim toplama haznesini (7) tekrar makineye takın ve çim toplama haznesinin kancalarının (7d) "Montaj - çim toplama haznesi" bölümünde açıklandığı gibi yuvaların (21a) üzerinde doğru şekilde durduğundan emin olun.



UYARI! ARKA TAHLİYE KANALINDAN (21) ÇİM KIRPINTILARINI ÇIKARMAK İÇİN ASLA ELLERİNİZİ VEYA AYAKLARINIZI KULLANMAYIN!

Malçlama parçası

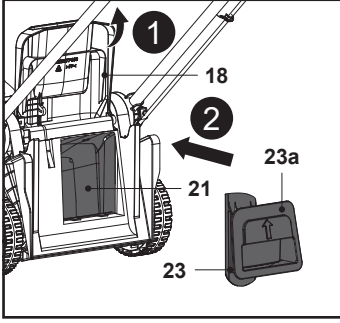
Malçlama parçası (23), çimlerin toplanarak arka tahliye kanalını (21) tıkamasını engeller. Böylece kesilen çimler, kesim işlemi sırasında çimenlik alanda geri biriktirilir.



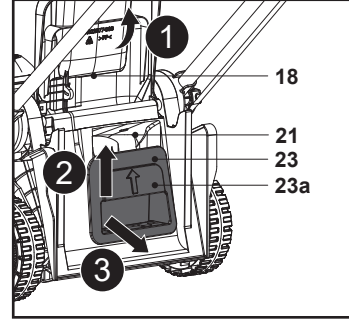
NOT: Malçlama, çim kırıntılarının tek adımda kesilip çimenliğe geri bırakılması demektir: Çim kırıntıları çok ince biçimde kesilir ve çimenliğe eşit biçimde dağıtılır. Normal şartlarda malçlanan çim biyolojik olarak hızla çözünecek ve besin maddelerini çimenliğe bırakacaktır.

Çim toplama haznesi (7) ile malçlama parçasını (23) aynı anda takmayın.

1. Arka deflektör korumasını (18) açın, girintili tutma yerini (23a) bulunduğu noktada tutun ve malçlama parçasını (23) arka tahliye kanalının sonuna kadar takın (21) (Şek. 15).
2. Girintili tutma yerini (23a) kaldırın ve ardından malçlama parçasını (23) arka tahliye kanalından (21) çekip çıkarın, ardından malçlama parçasını (23) çıkarın (Şek. 16).



Şek. 15



Şek. 16

Makine / akü koruma sistemi

Çim biçme makinesinde dahili bir koruma sistemi bulunur. Bu sistem, alet ve akü ömrünü uzatmak için motora giden gücü otomatik olarak keser. Çim biçme makinesi çalışma sırasında aşağıdaki koşullara maruz kaldığında otomatik olarak durur.

Aşırı yük koruması

Makine, anormal derecede yüksek bir akım çekmesine neden olacak şekilde çalıştırıldığında herhangi bir gösterge olmaksızın otomatik olarak durur. Bu durumda makineyi kapatın ve makinenin aşırı yüklenmesine neden olan uygulamayı durdurun. Daha sonra yeniden başlatmak için makineyi açın.

Aşırı ısınma koruması

Akü, aşırı ısındığında otomatik olarak durur. Makineyi tekrar çalıştırmadan önce makinenin soğumasını bekleyin.

Aşırı boşalma koruması

Akü kapasitesi azaldığında makine otomatik olarak durur. Ürün, anahtarlar çalışır durumda olduğu halde çalışmazsa aküleri makineden çıkarın ve şarj edin.

TR Kullanım

Genel çalıştırma

1. Her kullanım öncesinde makinede, akü grubunda, şarj cihazında ve aksesuarlarda hasar olup olmadığını kontrol edin. Hasarlıysa veya aşınma belirtileri varsa makineyi kullanmayın. Bulduğunuz herhangi bir sorunu giderin veya makinenin yetkili bir uzman tarafından kontrol edilmesini sağlayın.
2. Aksesuar ve eklentilerin uygun şekilde sabitlenip sabitlenmediğini iki kez kontrol edin.
3. Makineyi her zaman tutma kolunu (2) kullanarak itin. Güvenli destek sağlaması için tutma yerlerinin kuru olduğundan emin olun.
4. Havalandırma deliklerinin (16b) daima tıkanmamış ve temiz olmasını sağlayın. Gerekirse yumuşak bir fırçayla temizleyin. Tıkanmış hava delikleri aşırı ısınmaya sebep olabilir ve makineye zarar verir.

5. Çalışma sırasında çalışma alanına giren başka kişiler sizi rahatsız ederse makineyi derhal kapatın ve akü grubunu (24) çıkarın. Makineyi gözetimsiz halde bırakmadan önce ürünün tamamen durmasını bekleyin.
6. Kendinizi fazla yormayın. İşe odaklanabilmeniz ve makine üzerinde tam kontrol sağlamanız için çalışmaya düzenli olarak ara verin.

Çalıştırma / Durdurma



UYARI! BAŞLAMADAN ÖNCE MAKİNEYİ UZUN ÇİMLERİN OLMADIĞI DÜZ BİR ZEMİNE KOYUN!



TABLANIN ALTINI TEMİZLEYİN!

MOTORU DİKKATLİCE VE TALİMATLARA UYGUN ŞEKİLDE BAŞLATIN. AYAKLARINIZI KESME BIÇAĞINDAN (22) UZAK TUTUN!

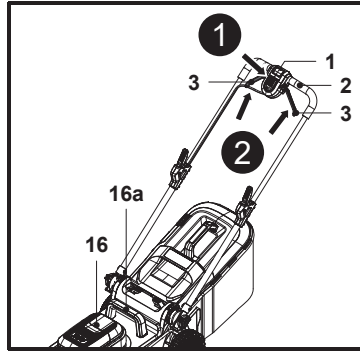
MOTORU BAŞLATIRKEN MAKİNEYİ EĞMEYİN.

Başlatma



NOT: Makine yalnızca güvenlik anahtarı düğmesine (1) basılarak ve ardından çalıştırma kolları (3) sıkılarak çalıştırılabilir. İşlem tersten uygulandığında makine çalışmayacaktır.

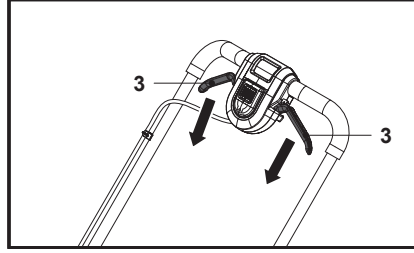
1. Manyetik kapağı (15c) kaldırın ve akü bölmesi kapağını (15) açın, ardından akü grubunu (24) tamamen yerleştirin.
2. Akü bölmesi kapağını (15) dikkatlice kapatın.
3. Tutma kolunun (2) arkasında durun.
4. Güvenlik anahtarı düğmesini (1) basılı tutarken çalıştırma kollarını (3) tutma koluna (2) doğru çekin ve bu konumda tutun (Şek. 17, adım 1, 2).
5. Çim biçme makinesi çalışmaya başladıktan sonra güvenlik anahtarı düğmesini (1) bırakın.
6. Gerçek akü kapasitesi, motor kapağının (16) arkasındaki akü ekranında (16a) görüntülenir.
7. Makineyi ileri doğru itin ve biçmeye başlayın.



Şek. 17

Durdurma

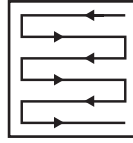
Motoru ve kesme bıçağını (22) durdurmak için çalıştırma kollarını (3) serbest bırakın (Şek. 18).



Şek. 18

Çim biçme

1. Çimenlikte taş, çırpı, tel veya makineye ya da bıçağına zarar verebilecek diğer nesnelerin bulunmadığına emin olun.
2. Islak çimleri kesmeyin. Aksi halde makinenin gövde altına yapışarak kesilen çimlerin doğru boşaltılmasını engelleyebilir ve sizin de kayıp düşmenize neden olabilir.
3. Sağlıklı bir çimenlik için çimin toplam uzunluğunun üçte birinden fazlasını asla kesmeyin. Sonbahar mevsiminde çimler sadece uzadıklarında kesilmelidir.
4. Makineyi yavaşça ileri doğru itin.
5. Çim biçme işlemini çok az kesişen sıralar halinde gerçekleştirin. En etkili çim biçme düzeni, kenarlardan biri boyunca düz çizgiler halinde kesmektir. Böylece sıralar eşit kalacak ve tüm çimlerin hiçbir nokta kaçırılmadan kesilmesi sağlanacaktır (Şek. 19).



Şek. 19

6. Çiçekliklerin etrafından dolaşın. Çimenlik alanın ortasında bir çiçekliğe geldiğinizde çiçekliğin çevresinde bir veya iki sıra kesin.
7. Yön değiştirirken çok dikkatli olun.
8. Çim toplama haznesini (7) düzenli olarak boşaltın.



UYARI! MAKİNE BİR YABANCI NESNEYE ÇARPARSA MOTORU DERHAL DURDURUN! MAKİNENİN SOĞUMASINI BEKLEYİN VE HASAR OLUP OLMADIĞINI KONTROL EDİN! ÜRÜNÜ YENİDEN ÇALIŞTIRMADAN ÖNCE TÜM HASARLARI ONARIN!



KULLANIM SIRASINDA MAKİNENİN AŞIRI DERECEDE TİTREMESİ BİR HASAR BELİRTİSİDİR! MAKİNE DERHAL KONTROL EDİLMELİ VE ONARILMALIDIR!

9. Makineyi gerekli uygulamaya göre hazırlayın.

İşlev	Çim toplama haznesi	Malçlama parçası
Çim toplama	takılı	sökülü
Malçlama	sökülü	takılı

Çim toplama

1. Malçlama parçasını (23) çıkarın ve çim toplama haznesini (7) takın.
2. Çim toplama haznesini (7) düzenli olarak boşaltın.

Malçlama



NOT: Malçlama, çim kırıntılarının tek adımda kesilip çimenliğe geri bırakılması demektir. Çim kırıntıları çok ince biçimde kesilir ve çimenliğe eşit biçimde dağıtılır. Normal şartlarda malçlanan çim biyolojik olarak hızla çözünecek ve besin maddelerini çimenliğe bırakacaktır.

1. Malçlama parçasını (23) arka tahliye kanalına (21) takın, çim toplama haznesinin (7) makineye takılı olmadığından emin olun.
2. Yağmur veya çiy düşmesi nedeniyle ıslanmış çimleri biçmekten kaçının. Islak çim, yığın oluşturarak malçlama işlemini kesintiye uğratabilir ve çalışma süresini kısaltabilir. Çim biçmek için en uygun saat, çimlerin kuru olduğu ve yeni kesilen alanın doğrudan güneş ışığına maruz kalmayacağı akşamüzeri saatleridir.
3. En iyi malçlama performansı için kesme yüksekliğini bir seferde en fazla 35 mm olmasına özen göstererek çim bıçağı uzunluğunun yaklaşık üçte birine ayarlayın. Çimler fazla uzamışsa itme için gerekli gücü azaltmak ve motorun aşırı yüklenmesini önlemek için kesme yüksekliğini artırmak gerekebilir. Aşırı yoğun malçlama için önce yüksek bir kesme yüksekliğinde kesim yapılması ve ardından kesme yüksekliğinin düşürülmesi tavsiye edilir. Aksi takdirde daha dar kesimler yapın ve çimleri yavaşça biçin.
4. En iyi performans için muhafazada çim birikmesini engelleyin. Ürünü zaman zaman kapatın ve bıçağın tamamen durmasını bekleyin. Daha sonra ürünü yan yatırın. Tahta çubuk gibi bir cisimle bıçak bölgesinde biriken çimleri çıkarın. Bıçağın keskin kenarlarına dikkat edin. Yeni çim kestikten sonra ve her kullanımın ardından sıklıkla temizleyin.
5. Bazı çim türleri veya çim koşulları, çimi çimenlik alana tamamen dağıtmak için alanın ikinci kez malçlanmasını gerektirebilir. İkinci kez kesim sırasında, ilk kesim düzenine dik (çapraz) kesim yapmanız tavsiye edilir. Kesme düzenini yokuş aşağı çim biçmenize neden olacak şekilde değiştirmeyin.
6. Kesme düzeninizi haftalık olarak değiştirin. Bu, çimenlik alanın keçeleşmesini ve damarlanmasını önleyecektir.

Kullanım sonrası

1. Makineyi kapatın, akü grubunu (24) çıkarın ve soğumaya bırakın.
2. Makineyi aşağıda açıklandığı şekilde kontrol edin, temizleyin ve depolayın.

Bakıma yönelik altın kurallar



UYARI! KONTROL, BAKIM VE TEMİZLEME İŞLEMLERİNDEN ÖNCE DAİMA MAKİNEYİ KAPATIN; AKÜ GRUBUNU (24) ÇIKARIN VE MAKİNEYİ SOĞUMAYA BIRAKIN!



YALNIZCA BU TALİMATLARA UYGUN BİR ŞEKİLDE BAKIM VE MUHAFAZA ÇALIŞMASI YAPIN! DİĞER TÜM İŞLEMLER YETKİLİ BİR UZMAN TARAFINDAN YAPILMALIDIR!

1. Makineyi temiz tutun. Her kullanım sonrasında ve saklama öncesinde üründeki kalıntıları temizleyin.
2. Düzenli olarak ve uygun şekilde yapılan temizlik, güvenli kullanım sağlanmasına yardımcı olur ve cihazın kullanım ömrünü uzatır.
3. Her kullanım öncesinde makinede aşınmış veya hasar görmüş parçalar olup olmadığını kontrol edin. Kırılmış veya yıpranmış parçaların olduğunu tespit ederseniz ürünü çalıştırmayın.



UYARI! YALNIZCA BU TALİMATLAR UYARINCA ONARIM VE BAKIM YAPIN! DİĞER TÜM İŞLEMLER YETKİLİ BİR UZMAN TARAFINDAN YAPILMALIDIR!

Genel temizlik

1. Makineyi nemli bir bezle ve pH açısından nötr bir sabunla temizleyin. Ulaşılmaması zor alanları fırça kullanarak temizleyin.
2. Özellikle anahtarları ve havalandırma deliklerini her kullanım sonrasında bir bez ve fırçayla temizleyin.
3. İnatçı kirleri yüksek basınçlı havayla temizleyin (maks. 3 bar).



NOT: Bu ürünü temizlerken ürünün yüzeylerine zarar verebilecekleri için kimyasal, alkalın, aşındırıcı veya diğer agresif deterjanları ya da dezenfektanları kullanmayın.

4. Herhangi hasar ya da aşınma olup olmadığını kontrol edin. Hasarların kullanım kılavuzunda belirtildiği şekilde onarılmasını sağlayın ya da makineyi tekrar kullanmadan önce yetkili bir servis merkezine götürün.

Yedek parçalar

Ürünün aşağıdaki belirtilen parçaları tüketici tarafından değiştirilebilir. Yedek parçalar yetkili bayiden veya müşteri hizmetlerimizden temin edilebilir.

Açıklama	Parça kodu
Çim toplama haznesi (7)	199011000059 / 199011000065
Kesme bıçağı (22)	201045000459
Akü grubu (24)	MDVB36-4 / TTB812BAT / MCT1239BAT / TTT1240BAT
Şarj cihazı (25)	MFC36 / TTB815CHR / MCB1241CHR / TTB1242CHR

Bakım

Her kullanım öncesinde ve sonrasında, makinede ve aksesuarlarında (veya eklentilerinde) yıpranma ve hasar olup olmadığını kontrol edin. Gerekirse bu kullanım kılavuzunda belirtildiği şekilde yenileriyle değiştirin. Teknik gereklilikleri göz önünde bulundurun.

Gövde altı ve kesme bıçağı



UYARI! KESME BIÇAĞI (22) ÜZERİNDE ÇALIŞIRKEN KORUYUCU ELDİVEN TAKIN! KALINTILARI ÇIKARMAK İÇİN AHŞAP ÇUBUK VEYA EL FIRÇASI GİBİ UYGUN ALETLERİ KULLANIN. HİÇBİR ZAMAN ÇIPLAK ELLERİNİZLE MÜDAHALEDE BULUNMAYIN!

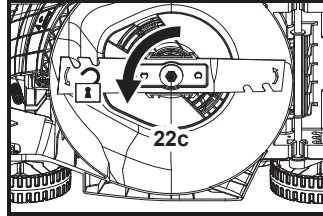


PARÇA DEĞİŞİMİNDE DAİMA ORJİNAL YEDEK PARÇALAR KULLANIN. KESME BIÇAĞI, A022050-025 TANIMLAMA KODLU BIÇAK İLE DEĞİŞTİRİLMELİDİR. FARKLI TİPTE BİR KESME BIÇAĞI TAKMAYIN!



KESME BIÇAĞINI DEĞİŞTİRME İŞLEMİ KALİFİYE BİR UZMAN TARAFINDAN GERÇEKLEŞTİRİLMELİDİR! ONARIM MERKEZİ VEYA BENZERİ BİR YETKİLİ UZMAN TARAFINDAN YAPILMADIĞI SÜRECE BIÇAKLARIN BAKIMININ YAPILMASI VEYA BİLENMESİ TAVSİYE EDİLMEZ!

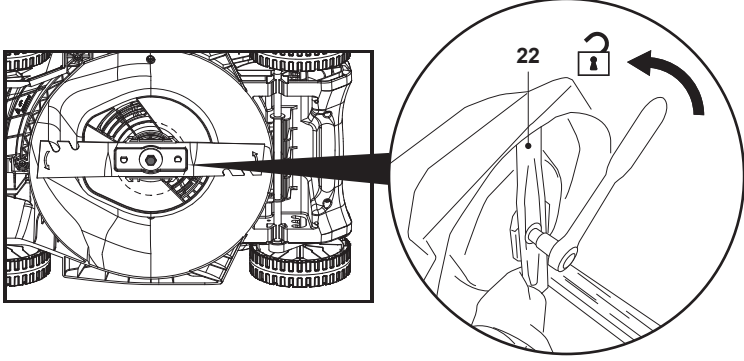
1. Gövde altını ve kesme bıçağını (22) temiz tutun ve kalıntıları giderin. Çim kırıntılarını arka tahliye kanalından (21) çıkarın.
2. Kullanımdan önce somunlar ve civatalar gibi tüm sabitleme elemanlarının sıkı olduğunu periyodik olarak kontrol edin. Uzun süreli kullanımdan sonra özellikle kumlu toprak koşullarında kesme bıçağı yıpranacak ve orijinal şeklini kısmen kaybedecektir. Kesme verimliliği azalacak ve kesme bıçağının bu durumda değiştirilmesi gerekecektir.
3. Uygun kesme performansı için kesme bıçağını (22) keskin vaziyette tutun. Yıpranmış veya hasar görmüş kesme bıçağını aynı tipte yenisiyle değiştirin veya keskinleştirmek üzere yetkili bir uzmanla iletişime geçin.
4. Uygun bir elektrikli darbeli anahtar (soket boyutu 13 mm) kullanarak montaj civatasını (22c) saat yönünün tersine gevşetin (Şek. 20), düz rondela (22b) ve kesme bıçağıyla (22) birlikte çıkarın.



Şek. 20

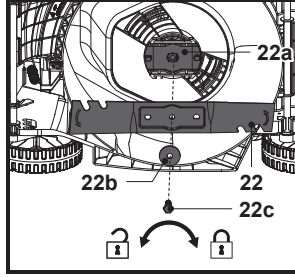


NOT: Elektrikli darbeli anahtar yerine el aleti anahtarı veya somun anahtarı kullanılırsa civata gevşetilirken kesme bıçağının (22) dönmesi önlenmelidir. Ağır hizmet tipi eldiven giyin ve bıçağı sıkıca tutun. Gerekirse bıçağın dönmesini engellemek için uygun boyutta bir tahta parçası kullanın (Şek. 21).



Şek. 21

5. Kesme bıçağını (22) aynı tipte yenisiyle değiştirin. Öncelikle bıçak tutucunun (22a) mildeki durumunu kontrol edin, ardından bıçak tutucudaki (22a) desenlerle hizalayarak kesme bıçağını (22) bıçak tutucuya (22a) takın, tertibatı düz rondela (22b) ve montaj civatasıyla (22c) sabitleyin ve elinizle sıkın.
6. Makinenizin güvenli bir şekilde çalışmasını sağlamak için kesme bıçağını (22) ağır hizmet tipi eldiveni kullanarak elinizle / veya ahşap bir çubukla sıkıca tutun, montaj civatasını (22c) en az 25 Nm, en fazla 30 Nm ile saat yönünde sıkın (Şek. 22).



Şek. 22



UYARI! HER KULLANIMDAN ÖNCE KESME BIÇAĞININ (22) VE TÜM SABİTLEME PARÇALARININ DOĞRU ŞEKİLDE TAKILDIĞINDAN VE İYİCE SIKILDIĞINDAN EMİN OLUN.

DEĞİŞTİRME İÇİN YALNIZCA ORJİNAL YEDEK MONTAJ CIVATASI (22C) KULLANIN.

7. Bu kesme bıçağını (22), başka hiçbir koşula bakmaksızın 50 saat çim biçtikten sonra veya 2 yıl sonra (hangisi daha önceyse) değiştirin. Kesme bıçağı (22) çatlak veya hasar görürse derhal yenisiyle değiştirmeniz gerekir.
8. Kesme bıçağının (22) ve makinenin kullanım ömrünü uzatmak için her kullanımdan sonra kesme bıçağını (22) yağlayın. Kesme bıçağının (22) kenarı boyunca hafif makine yağı uygulayın.

Çim toplama haznesi

1. Her kullanımdan önce çim toplama haznesini (7) kontrol edin. Hasar tespit ederseniz ürünü kullanmayın.
2. Çim toplama haznesini (7) kullandıktan sonra su ve hafif sabunla temizleyin.
3. Küf oluşumunu engellemek için saklamadan önce çim toplama haznesinin (7) iyice kurumasını bekleyin.

Kontrol kablosu

Her kullanımdan önce kontrol kablosunu (20) kontrol edin.



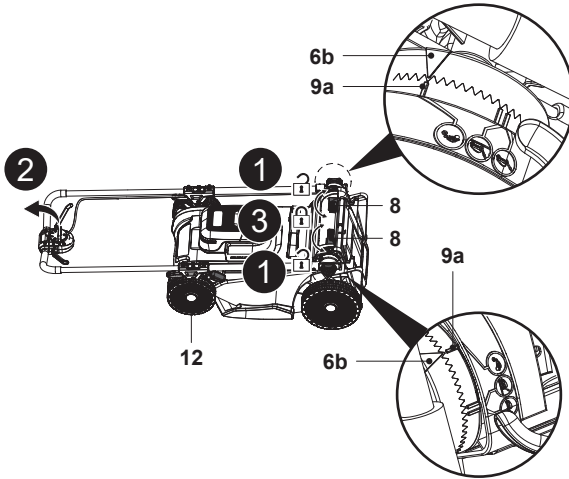
UYARI! MAKİNEYİ KUSURLU VEYA GEVŞEMİŞ KONTROL KABLOSUYLA (20) KULLANMAYIN!

Onarım

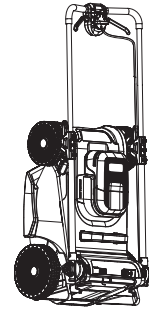
Bu makine tüketicisi tarafından tamir edilebilecek herhangi bir parça içermez. Kontrol ve onarım için bir yetkili servis merkezi veya benzer niteliklere sahip bir kişiyle iletişime geçin.

Depolama

1. Saklamadan önce makineyi kapatın ve akü grubunu (24) çıkarın.
2. Makineyi yukarıda açıklandığı şekilde temizleyin.
3. Makineyi ve aksesuarlarını karanlık, kuru, donma yapmayan ve havalandırması iyi olan bir yerde saklayın.
4. Makineyi daima çocukların ulaşamayacağı bir yerde depolayın. İdeal depolama sıcaklığı aralığı 10 °C ila 30 °C'dir.
5. Çim biçme makinesinin (akü grubu olmadan) depolanması veya örtülmesi için orijinal ambalajının kullanılmasını veya tozdan korumak için uygun bir bez veya kılıf ile örtülmesini tavsiye ederiz.
6. Depolamadan önce akü grubunu ışık göstergesinde 3 çubuğa ulaşana kadar şarj edin.
7. Tutma kolları, saklama için tamamen katlanabilir:
 - Çim toplama haznesini (7) / malçlama parçasını (23) çıkarın.
 - Kesme yüksekliği ayar kolunu (12) en alt konuma getirin.
 - İki kelepçe kolunu (8) gevşetin ve ardından tutma yeri tertibatını tamamen katlayın (Şek. 23, adım 1, 2).
 - İki kelepçe kolunu (8) kilitleyerek bağlantıları sabitleyin ve saçılmayı önlemek için gösterge üçgeninin (6b) park göstergesiyle (9a) hizalandığından emin olun (Şek. 23, adım 3).
 - Çim biçme makinesini düz veya dik bir şekilde saklayın (Şek. 24).

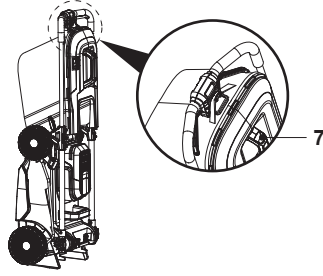


Şek. 23



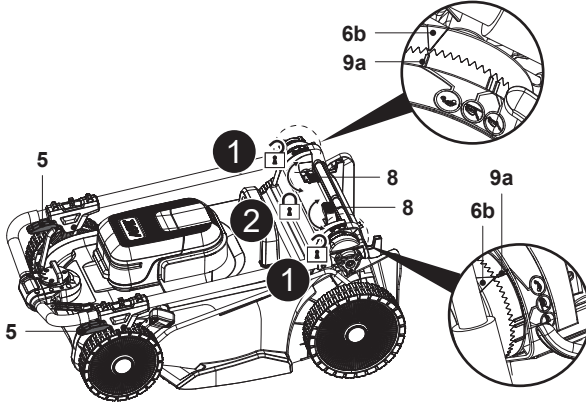
Şek. 24

8. Çim biçme makinesinin, çim toplama haznesi (7) ve malçlama parçası (23) makinede takılı halde saklanması önerilir (Şek. 25).

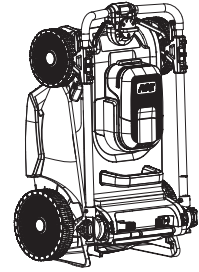


Şek. 25

9. Yer kazanmak için iki üst kilitleme kolunu (5) açabilir ve üst tutma yerini durana kadar tamamen yerleştirip saçılmayı önlemek için bağlantıları sabitleyebilir (5, 8) ve gösterge üçgenini (6b) park göstergesiyle (9a) hizalayabilirsiniz (Şek. 26).
10. Çim biçme makinesini düz veya dik bir şekilde saklayın (Şek. 27).



Şek. 26



Şek. 27

Taşıma

1. Herhangi bir yere taşımadan önce makineyi kapatın ve akü grubunu (24) çıkarın.
2. Varsa taşıma koruyucularını takın.
3. Makineyi daima taşıma saplarından (14, 17) tutarak taşıyın.
4. Makineyi, araçla taşıma sırasında meydana gelebilecek ağır darbelerden veya güçlü titreşimlerden koruyun.
5. Makineyi kaymaya veya düşmeye, hasara ve yaralanmaya karşı emniyet altına alın.

Sorun Giderme

Şüpheli arızalar genellikle kullanıcının giderebileceği sebeplerden meydana gelir. Bu yüzden ürünü bu bölüme göre kontrol edin. Çoğu durumda sorun hızlı bir şekilde çözülebilir.



UYARI! YALNIZCA BU TALİMATLARDA BELİRTİLEN ADIMLARI İZLEYİN! SORUNU KENDİ BAŞINIZA ÇÖZEMEDİĞİNİZDE DİĞER TÜM KONTROL, BAKIM VE ONARIM İŞLERİ BİR YETKİLİ SERVİS MERKEZİ VEYA BENZER ŞEKİLDE YETKİLİ BİR UZMAN TARAFINDAN GERÇEKLEŞTİRİLMELİDİR!

Sorun	Olası neden	Çözüm
1. Ürün çalışmıyor	1.1. Akü grubu uygun şekilde takılmamıştır	1.1. Doğru şekilde takın
	1.2. Akü grubunun şarjı bitmiştir	1.2. Akü grubunu çıkarın ve şarj edin
	1.3. Akü grubu sıcaktır	1.3. Çıkarın ve soğumaya bırakın
	1.4. Akü grubu hasarlıdır	1.4. Uzman bir elektrik tesisatçısına kontrol ettirin
	1.5. Ürünü başlatmak için hatalı yöntemler kullanılmıştır	1.5. Güvenlik anahtarı düğmesine basın ve bu konumda tutun, ardından ürünü çalıştırmak için çalıştırma kolunu çekin
	1.6. Üründe farklı bir elektrik arızası vardır	1.6. Uzman bir elektrik tesisatçısına kontrol ettirin
2. Ürün tam güce erişmiyor	2.1. Akü grubunun kapasitesi çok düşüktür	2.1. Akü grubunu şarj edin
	2.2. Havalandırma delikleri tıkalıdır	2.2. Havalandırma deliklerini temizleyin
3. Yetersiz kesme sonucu	3.1. Kesme bıçağı körelmiştir / hasarlıdır	3.1. Yenisiyle değiştirin
	3.2. Kesilen malzeme kapasiteyi aşıyordur	3.2. Yalnızca ürün kapasitesine uygun malzemeleri kesin.
	3.3. Kesme yüksekliği hatalıdır	3.3. Kesme yüksekliğini ayarlayın
4. Ürün aniden duruyor	4.1. Akü grubunun şarjı bitmiştir	4.1. Akü grubunu çıkarın ve şarj edin
	4.2. Akü grubu çok sıcaktır	4.2. Akü grubunu çıkarın ve soğumaya bırakın
	4.3. Kesme bıçağı tıkanmıştır	4.3. Tıkanıklığı giderin
5. Aşırı titreşim veya gürültü	5.1. Kesme bıçağı körelmiştir / hasarlıdır	5.1. Yenisiyle değiştirin
	5.2. Kesilen malzeme kapasiteyi aşıyordur	5.2. Yalnızca ürün kapasitesine uygun malzemeleri kesin
	5.3. Kesme yüksekliği hatalıdır	5.3. Kesme yüksekliğini ayarlayın
	5.4. Cıvatalar / somunlar gevşemiştir	5.4. Cıvataları / somunları sıkın

Geri dönüşüm ve imha etme



Bu sembol "Çarpı ile İşaretli Tekerlekli Çöp Kutusu Sembölü" olarak bilinir.

Bu sembol bir ürün veya pil üzerinde bulunduğu anda o ürün veya pilin, genel ev atıklarıyla birlikte atılmaması gerektiği anlamına gelir.

Elektrikli/elektronik ürünlerde veya pillerde bulunan bazı kimyasallar sağlık ve çevre için zararlı olabilir.

Elektrikli/elektronik/pilli ürünleri yalnızca içerdikleri materyalleri yeniden kullanma ve geri dönüştürme için oluşturulmuş ayrı toplama planları çerçevesinde atın.

Bu geri dönüşüm planlarının başarıyla uygulanması ve çevrenin korunması için iş birliğiniz çok büyük önem taşımaktadır.

Ürün, sevkiyat sırasında karşılaşılması olası hasarlara karşı koruma sağlayacak bir ambalaj içerisinde tedarik edilir. Tüm parçaların teslim edildiğinden ve ürünün düzgün şekilde çalıştığından emin olana kadar ürün ambalajını saklayın. Ambalajı daha sonra geri dönüştürün.

Boş akü grubunun imha edilmesi



Akü, Lityum iyon tip aküdür. Doğal kaynakları korumak için lütfen akü grubunun geri dönüştürülmesini veya uygun şekilde imha edilmesini sağlayın. Mevcut geri dönüşüm ve/veya imha seçenekleriyle ilgili bilgi almak için yerel atık yönetiminize danışın.

Makinenizi çalıştırarak akü grubunuzun şarjını boşaltın, akü grubunu makineden çıkarın ve kısa devre ve enerji boşaltımını önlemek için akü grubu bağlantılarını ağır hizmet tipi yapıştırıcı bantlarıyla kaplayın.

Bileşenlerden herhangi birini açmayı veya çıkarmayı denemeyin.

Garanti

Yüksek kaliteli malzemeler seçmeye ve tasarım ile dayanıklılığı bir arada sunan ürünler ortaya çıkarmamızı sağlayan üretim tekniklerini kullanmaya özen gösteririz. Bu ürün üretim hatalarına karşı, (mağazadan alındıysa) satın alma tarihinden veya (internet üzerinden alındıysa) teslimat tarihinden itibaren normal ev kullanımı için (profesyonel veya ticari olmayan)ek bir maliyet olmadan üreticinin sağladığı bir garanti süresine 2 yıllık sahiptir.

Bu garanti süresi kapsamında talepte bulunmak için ürünü satın aldığınıza dair bir kanıt sunmalısınız (satış makbuzu, fatura veya yürürlükteki kanun kapsamında kabul edilebilecek başka bir kanıt), lütfen satın alma kanıtınızı güvenli bir yerde muhafaza edin. Bu garantinin geçerli olması için satın aldığınız ürünün yeni olması gerekir, ikinci el veya teşhir ürünleri bu kapsamda değildir. Yürürlükteki kanunda aksi belirtilmedikçe bu garanti kapsamında verilen herhangi bir ikame ürüne yalnızca orijinal ürünün garanti süresi bitimine kadar garanti verilir.

Bu garanti; ürünün amacına uygun kullanılmış olması ve montajı, temizliği, bakımı ve muhafazasının bu hüküm ve koşullarda, kullanıcı kılavuzunda yer alan bilgiler ve kullanıcı kılavuzuyla çalışmaması kaydıyla standart uygulama uyarınca yapılmış olması şartıyla ürün arızalarını ve kusurlarını kapsar.

Bu garanti; normal aşınma ve eskime nedeniyle oluşan kusurlar ile hasarları veya yanlış kullanım, yanlış kurulum veya montaj, ihmal, kaza, kötü kullanım ve ürünün hatalı şekilde değiştirilmesinden doğan hasarları kapsamaz. Yürürlükteki kanunda aksi belirtilmedikçe bu garanti hiçbir koşulda ek maliyetleri (sevkiyat, taşıma, sökme ve yeniden montaj, işçilik vs.) veya doğrudan ve dolaylı hasarları kapsamaz.

Bu garanti ařařıdakiler nedeniyle veya bunlardan kaynaklanan kusurları ve hasarı kapsamaz:

- Aksesuar ařınması dahil olmak üzere normal ařınma ve yıpranma
- Ařırı yük, yanlış kullanım veya ihmal
- Ticari, profesyonel kullanım veya kiralama
- Yetkili temsilci dıřındaki kimseler tarafından onarıma teřebbüs
- Kozmetik hasar
- Yabancı nesnelere, maddelere veya kazalara nedeniyle hasar
- Kaza sonucu hasar veya deęişiklik
- Üreticinin kurallarına uyulmaması
- Malların kullanımının kaybı

Ürün kusurluysa makul bir süre içinde onarım, deęişim, para iadesi, servis veya yedek parça hizmeti aęılayacaęız.

Bu garanti kapsamındaki haklar, ürünün satın alındıęı ülke için geçerlidir. Garantiye iliřkin sorular, bu ürünü satın aldıęınız maęazaya yönlendirilmelidir.

Garanti, temel haklarınıza ilave olarak verilir ve temel haklarınızı etkilemez.

Bu ürünü Türkiye'den veya Romanya'dan satın aldıysanız tarafınıza bir garanti belgesi sunulacaktır.

**ÖNEMLİ – BU BİLGİLERİ DAHA SONRA
KULLANMAK ÜZERE SAK LAYIN:
DİKKATLE OKUYUN**



(TR) AB UYGUNLUK BEYANI

Ürün

- Ürün adı – 36 V 38 cm Çim biçme makinesi
- Ürün modeli – MCI1191LWM, 38 cm
- 000001 to 999999

İmalatçının veya yetkili temsilcisinin adı ve adresi:

Kingfisher International Products B.V.,
Rapenburgerstraat 175E,
1011 VM Amsterdam,
The Netherlands

Bu uygunluk beyanı yalnızca imalatçının sorumluluğu altında düzenlenir:

Beyan konusu

Ürün	Model	EAN
36 V 38 cm Çim biçme makinesi	MCI1191LWM	5063022637161 / 5063022636959 / 5063022638076

Yukarıda tanımlanan beyan konusu ilgili uyumlaştırılmış Birlik mevzuatı ile uyumludur

2006/42/AT değiştirilmiş Makina Emniyeti Yönetmeliği
2014/30/AB değiştirilmiş Elektromanyetik Uyumluluk Yönetmeliği
2000/14/AT değiştirilmiş Açık Alanda Kullanılan Teçhizat Tarafından Oluşturulan Çevredeki Gürültü Emisyonu İle İlgili Yönetmelik
2011/65/AB değiştirilmiş Atık Elektrikli Ve Elektronik Eşyaların Kontrolü Yönetmeliği

Ölçülen Ses Gücü Seviyesi
: 86.92 dB(A)

Garanti Edilen Ses Gücü Seviyesi
: 88 dB(A)

TÜV Rheinland LGA Products GmbH, Tillystraße 2 - 90431 Nürnberg, Germany (No.0197), Dış Ortam Gürültüsü Direktifi 2000/14/EC Ek VI'ya göre EC Tip İncelemesi gerçekleştirmiştir. AT Tip Onay No: JO 60182474 0001.

Kullanılan ilgili uyumlaştırılmış standartlara yapılan atıflar veya uyumluluğun beyanıyla ilgili diğer teknik şartnamelere yapılan atıflar

EN 62841-1: 2015 + A11: 2022
EN IEC 62841-4-3: 2021 + A11: 2021
EN IEC 61000-3-2: 2019 + A1: 2021
EN 61000-3-3: 2013 + A1: 2019 + A2: 2021
EN IEC 55014-1: 2021
EN IEC 55014-2: 2021
EN IEC 63000: 2018

Teknik dosya sorumlusu:

Şahıs adı: Serkan URUN

Firma adresi: KOÇTAŞ YAPI MARKETLERİ TİC. A.Ş.

Taşdelen Mah. Sırrı Çelik Bulvarı No: 5 34788 Taşdelen/Çekmeköy/İSTANBUL

Not: CE işaretleme yılı: 2025

İçin ve adına imzalayan:

Kingfisher International Products B.V.,

Rapenburgerstraat 175E,

1011 VM Amsterdam,

The Netherlands



David Awe

Grup Kalite Direktörü

düzenlendiği tarih **09/08/2025**

Manufacturer:**EU Manufacturer:**

Kingfisher International Products B.V.,
Rapenburgerstraat 175E,
1011 VM Amsterdam,
The Netherlands

TR İthalatçı Firma:

KOÇTAŞ YAPI MARKETLERİ TİCARET A.Ş.
Sırrı Çelik Bulvarı Otokoç Blok No:9 Çekmeköy/
İstanbul 34788 Türkiye
Telefon: (90) 216 430 03 00
Faks: (90) 216 484 43 13
www.koctas.com.tr

Kullanım kılavuzuna internet üzerinden ulaşmak için www.kingfisher.com/products adresini ziyaret edin

Yetkili servis istasyonları ve yedek parça temini için aşağıda yer alan Koçtaş Müşteri Hattı ve Koçtaş Genel Müdürlük irtibat bilgilerinden faydalanınız.

KOÇTAŞ MÜŞTERİ HİZMETLERİ

0850 209 50 50

AEEE Yönetmeliğine Uygundur